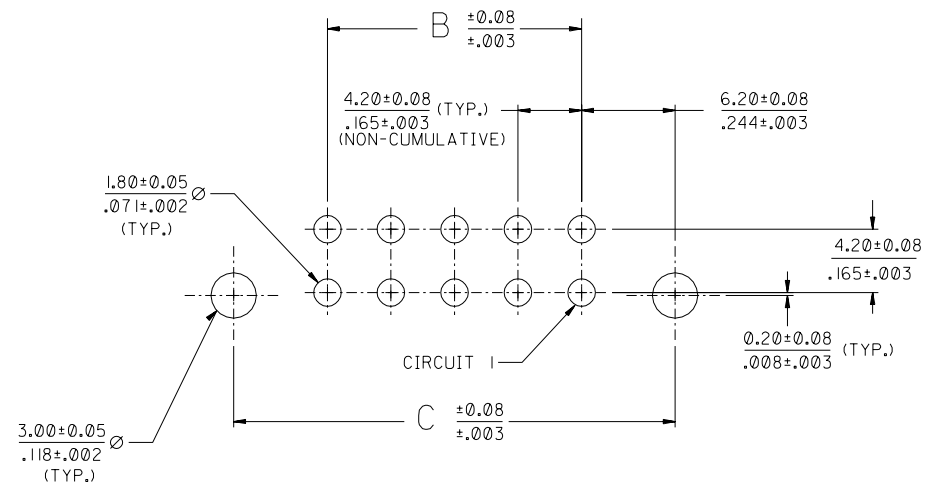
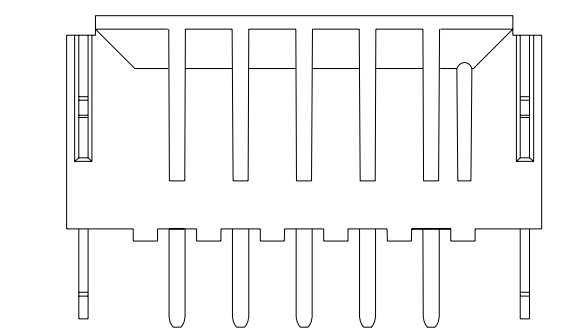
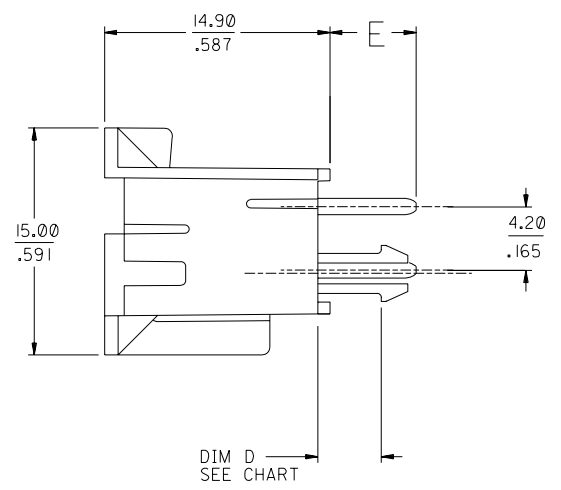
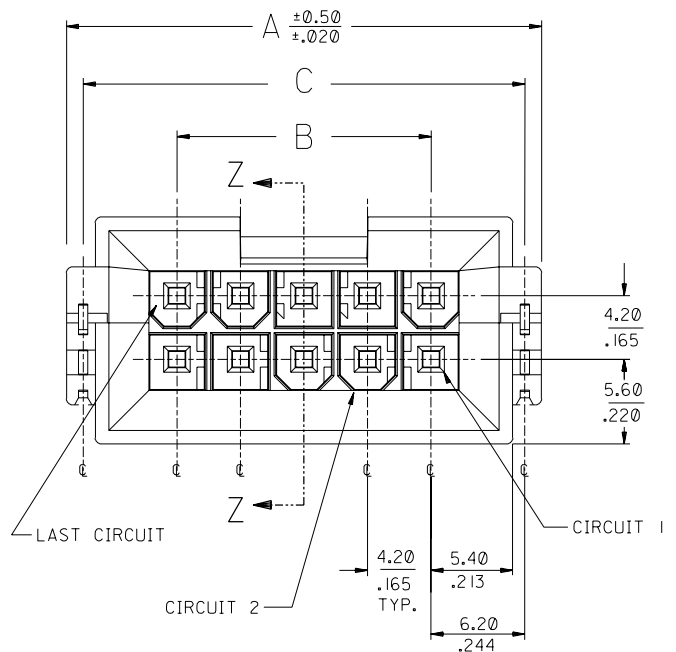


NOTES:

- 1) MATERIALS:  
HOUSING: PA46 FILLED BLACK, UL94V-0  
TERMINAL: BRASS  
BOARD RETENTION CLIP: BRASS
- 2) FINISHES:  
1 = 100 M.I. MIN TIN OVER NICKEL  
2 = 30 M.I. MIN GOLD OVER NICKEL.
- 3) PRODUCT SPECIFICATIONS: PS-43810-001
- 4) PART MATES WITH MOLEX RECEPTACLE #5557 AND #42474, AND #42385 HEADER.
- 5) PART ALLOWS FOR 1.27/.050 MAX. MIS-ALIGNMENT WITH MATING HOUSINGS IN ANY DIRECTION.
- 6) CONNECTOR ASSEMBLIES ARE NOT TO BE MATED AND UNMATED WHILE CIRCUITS ARE LIVE.



PCB LAYOUT: COMPONENT SIDE  
RECOMMENDED PCB THICKNESS: SEE CHART

CKTS	DIM. "A"	DIM. "B"	DIM. "C"
4	18.81 / .740	4.20 / .165	16.60 / .653
6	23.01 / .906	8.40 / .331	20.80 / .819
8	27.21 / 1.071	12.60 / .496	25.00 / .984
10	31.41 / 1.237	16.80 / .661	29.20 / 1.150
12	35.61 / 1.402	21.00 / .828	33.40 / 1.315
14	39.81 / 1.567	25.20 / .992	37.60 / 1.480
16	44.01 / 1.733	29.40 / 1.157	41.80 / 1.646
18	48.21 / 1.898	33.60 / 1.323	46.00 / 1.811
20	52.41 / 2.063	37.80 / 1.488	50.20 / 1.976
22	56.61 / 2.229	42.00 / 1.654	54.40 / 2.142
24	60.81 / 2.394	46.20 / 1.819	58.60 / 2.307

2	DI
1	DI

REVISIONS: SHT REV  
REVISE ON CAD ONLY

ADD TOOLING STAT EC NO. UCP2003-0168 DRWG: SAMIEC 7/29/02 CHK: SAMIEC 7/29/02 APPR: MARGULIS 7/29/02	QUALITY SYMBOLS	GENERAL TOLERANCES: (UNLESS SPECIFIED)	SCALE 4:1	DESIGN UNITS <input checked="" type="checkbox"/> mm <input type="checkbox"/> INCH	THIRD ANGLE PROJECTION <input checked="" type="checkbox"/> mm <input type="checkbox"/> INCH <input type="checkbox"/> mm ONLY	DIMENSIONS: <input checked="" type="checkbox"/> mm <input type="checkbox"/> INCH <input type="checkbox"/> mm ONLY	TITLE: MINI-FIT JR. BMI SMC VERTICAL HEADER ASM.	MOLEX INCORPORATED
	MAJOR $\nabla = 0$	mm INCH	DRAWN BY & DATE MANLAPAZ 97/12/04	MATERIAL NO. S4406805 .DGN DRAWING NO. SD-44068-031				
	CRITICAL $\nabla = 0$	4 PLACES $\pm 0.$ $\pm .$	CHECKED BY & DATE BANDURA 97/12/06					
	REV	2 PLACES $\pm 0.25$ $\pm 0.10$	APPROVED BY & DATE EDGLEY 97/12/06	DRAFT WHERE APPLICABLE MUST REMAIN WITHIN DIMENSIONS		THIS DRAWING CONTAINS INFORMATION THAT IS PROPRIETARY TO MOLEX INCORPORATED AND SHOULD NOT BE USED WITHOUT WRITTEN PERMISSION.		SIZE C

FINISH:	NOTE 1
DIM. D:	WITHOUT CLIP
DIM. E:	$\frac{3.30 \pm 0.25}{.130 \pm 0.10}$
PCB THICKNESS:	
CIRCUITS	MATERIAL NO.
04	44068-0023
06	44068-0024
08	X 44068-0025
10	44068-0026
12	X 44068-0027
14	44068-0028
16	X 44068-0029
18	44068-0030
20	X 44068-0031
22	X 44068-0032
24	44068-0033

FINISH:	NOTE 1
DIM. D:	$\frac{2.59 \pm 0.25}{.102 \pm 0.10}$
DIM. E:	$\frac{3.30 \pm 0.25}{.130 \pm 0.10}$
PCB THICKNESS:	$\frac{1.6}{.063}$
CIRCUITS	MATERIAL NO.
04	44068-0001
06	44068-0002
08	X 44068-0003
10	44068-0004
12	X 44068-0005
14	44068-0006
16	X 44068-0007
18	44068-0008
20	X 44068-0009
22	X 44068-0010
24	44068-0011

FINISH:	NOTE 1
DIM. D:	$\frac{3.40 \pm 0.25}{.134 \pm 0.10}$
DIM. E:	$\frac{4.42 \pm 0.25}{.174 \pm 0.10}$
PCB THICKNESS:	$\frac{2.39}{.094}$
CIRCUITS	MATERIAL NO.
04	44068-0045
06	44068-0046
08	X 44068-0047
10	44068-0048
12	X 44068-0049
14	44068-0050
16	X 44068-0051
18	44068-0052
20	X 44068-0053
22	X 44068-0054
24	44068-0055

FINISH:	NOTE 1
DIM. D:	$\frac{4.19 \pm 0.25}{.165 \pm 0.10}$
DIM. E:	$\frac{4.88 \pm 0.25}{.192 \pm 0.10}$
PCB THICKNESS:	$\frac{3.18}{.125}$
CIRCUITS	MATERIAL NO.
04	44068-0089
06	44068-0090
08	X 44068-0091
10	44068-0092
12	X 44068-0093
14	44068-0094
16	X 44068-0095
18	44068-0096
20	X 44068-0097
22	X 44068-0098
24	44068-0099

FINISH:	NOTE 2
DIM. D:	WITHOUT CLIP
DIM. E:	$\frac{3.30 \pm 0.25}{.130 \pm 0.10}$
PCB THICKNESS:	
CIRCUITS	MATERIAL NO.
04	44068-0034
06	44068-0035
08	X 44068-0036
10	44068-0037
12	X 44068-0038
14	44068-0039
16	X 44068-0040
18	44068-0041
20	X 44068-0042
22	X 44068-0043
24	44068-0044

FINISH:	NOTE 2
DIM. D:	$\frac{2.59 \pm 0.25}{.102 \pm 0.10}$
DIM. E:	$\frac{3.30 \pm 0.25}{.130 \pm 0.10}$
PCB THICKNESS:	$\frac{1.6}{.063}$
CIRCUITS	MATERIAL NO.
04	44068-0012
06	44068-0013
08	X 44068-0014
10	44068-0015
12	X 44068-0016
14	44068-0017
16	X 44068-0018
18	44068-0019
20	X 44068-0020
22	X 44068-0021
24	44068-0022

FINISH:	NOTE 2
DIM. D:	$\frac{3.40 \pm 0.25}{.134 \pm 0.10}$
DIM. E:	$\frac{4.42 \pm 0.25}{.174 \pm 0.10}$
PCB THICKNESS:	$\frac{2.39}{.094}$
CIRCUITS	MATERIAL NO.
04	44068-0056
06	44068-0057
08	X 44068-0058
10	44068-0059
12	X 44068-0060
14	44068-0061
16	X 44068-0062
18	44068-0063
20	X 44068-0064
22	X 44068-0065
24	44068-0066

FINISH:	NOTE 2
DIM. D:	$\frac{4.19 \pm 0.25}{.165 \pm 0.10}$
DIM. E:	$\frac{4.88 \pm 0.25}{.192 \pm 0.10}$
PCB THICKNESS:	$\frac{3.18}{.125}$
CIRCUITS	MATERIAL NO.
04	44068-0100
06	44068-0101
08	X 44068-0102
10	44068-0103
12	X 44068-0104
14	44068-0105
16	X 44068-0106
18	44068-0107
20	X 44068-0108
22	X 44068-0109
24	44068-0110

X PRECEDING PART NUMBER DESIGNATES  
CIRCUIT SIZE IS NOT TOOLED  
PLEASE CONTACT FACTORY

SEE SHT 1 EC NO. DRWN: CHK: APPR: DI	QUALITY SYMBOLS MAJOR CRITICAL REV	DESCRIPTION =0 =0 =0	GENERAL TOLERANCES: (UNLESS SPECIFIED)		SCALE N:A	DESIGN UNITS <input checked="" type="checkbox"/> mm <input type="checkbox"/> INCH	DIMENSIONS: <input checked="" type="checkbox"/> mm <input type="checkbox"/> INCH <input type="checkbox"/> mm ONLY	SHT REV
			4 PLACES ±0.     ±.	DRAWN BY & DATE SAMIEC 98/05/06	TITLE: MINI-FIT JR. BMI SMC VERTICAL HEADER ASM.		REVISE ON CAD ONLY	
			3 PLACES ±0.25     ±.010	CHECKED BY & DATE BANDURA 98/05/06	MOLEX INCORPORATED		SHEET NO. 2	
			2 PLACES ±0.35     ±.014	APPROVED BY & DATE EDGLEY 98/05/06	MATERIAL NO. SEE CHART SD-44068-031	DRAWING NO. SD-44068-031	SIZE C	
1 PLACE ±0.     ±.		ANGULAR: ± 1/2°	DRAFT WHERE APPLICABLE MUST REMAIN WITHIN DIMENSIONS		THIS DRAWING CONTAINS INFORMATION THAT IS PROPRIETARY TO MOLEX INCORPORATED AND SHOULD NOT BE USED WITHOUT WRITTEN PERMISSION.			