

## FEATURES AND SPECIFICATIONS

## Features and Benefits

- Connectors float in panel cutout up to 1.27mm (.050") in any direction
- 4 to 24 circuits for design flexibility
- Use standard Micro-Fit terminals to reduce inventory
- Innovative panel mounting design holds connectors firmly in place
- Fully isolated contacts prevent terminal damage
- Fully polarized to completely prevent mismatching

## Reference Information

Product Specification: PS-44300

Packaging: Bag

Mates with: [44300](#)Use with: [43030](#)

Designed in: Millimeters

## Electrical

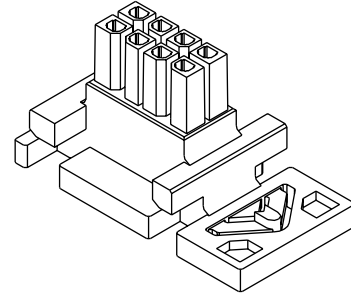
Dielectric Withstanding Voltage: 1500V AC  
Insulation Resistance: 1000 M $\Omega$  min.

## Mechanical

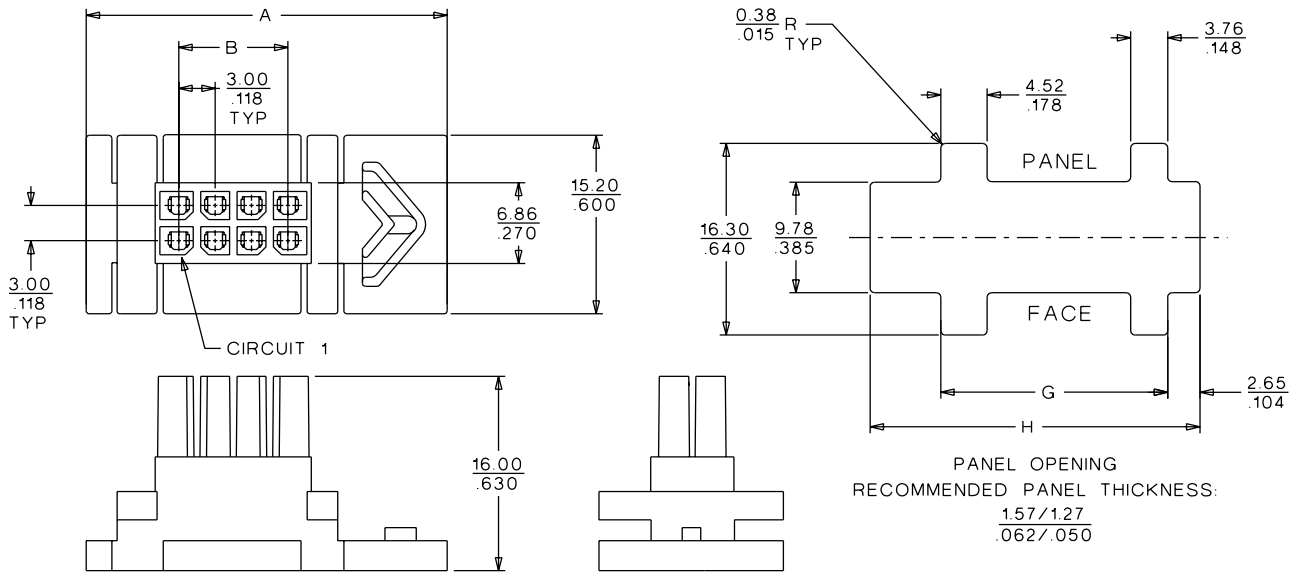
Contact Insertion Force: 14.7N (3.30 lb)  
Contact Retention to Housing: 24.5N (5.51 lb)

## Physical

Housing: Polyester, UL 94V-0  
Operating Temperature: -40 to +105°C

**3.00mm (.118")  
Micro-Fit 3.0, BMI™  
Panel-to-Panel  
Receptacle**
**44133**  
**Dual Row**


## CATALOG DRAWING (FOR REFERENCE ONLY)



## ORDERING INFORMATION AND DIMENSIONS

Circuits	Order No.	Dimension			
		A	B	G	H
4	44133-0400	24.60 (.970)	3.00 (.118)	13.46 (.530)	22.10 (.870)
6	44133-0600	27.70 (1.090)	6.00 (.236)	16.46 (.648)	25.10 (.988)
8	44133-0800	30.70 (1.210)	9.00 (.354)	19.46 (.766)	28.10 (1.106)
10	44133-1000	33.80 (1.330)	12.00 (.472)	22.46 (.884)	31.10 (1.224)
12	44133-1200	36.80 (1.450)	15.00 (.591)	25.46 (1.002)	34.10 (1.343)
14	44133-1400	39.90 (1.570)	18.00 (.709)	28.46 (1.120)	37.10 (1.461)
16	44133-1600	42.90 (1.690)	21.00 (.827)	31.46 (1.239)	40.10 (1.579)
18	44133-1800	46.00 (1.810)	24.00 (.945)	34.46 (1.357)	43.10 (1.697)
20	44133-2000	49.00 (1.930)	27.00 (1.063)	37.46 (1.475)	46.10 (1.815)
22	44133-2200	51.80 (2.040)	30.00 (1.181)	40.46 (1.593)	49.10 (1.933)
24	44133-2400	54.90 (2.160)	33.00 (1.299)	43.46 (1.711)	52.10 (2.051)