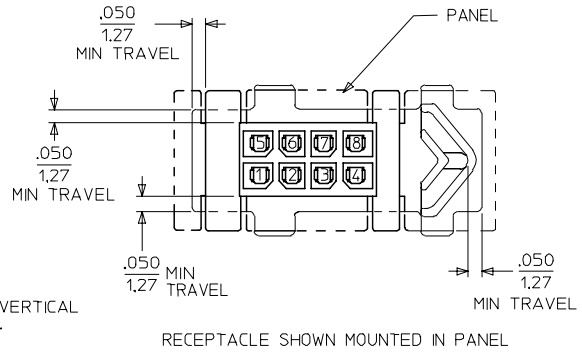
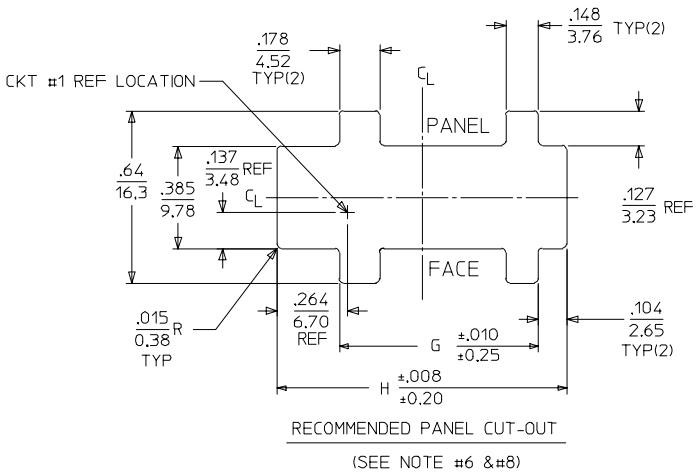
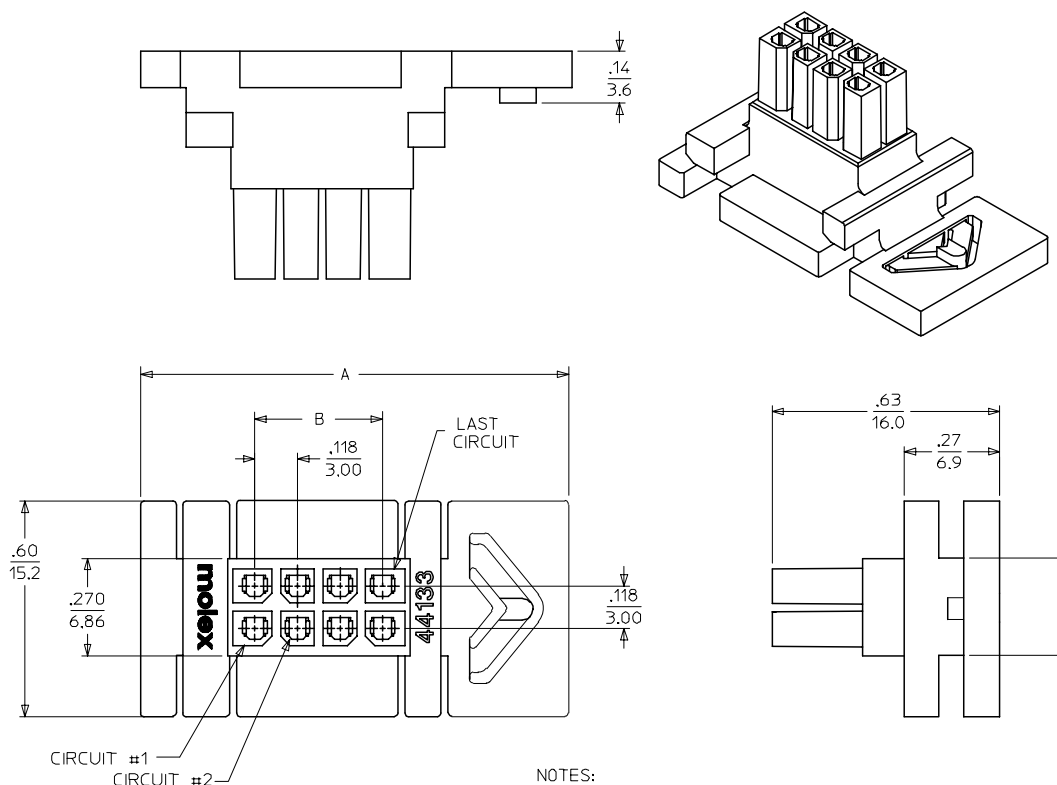


J
I
H
G
F
E
D
C
B
A

J
I
H
G
F
E
D
C
B
A



NOTES:

- 1) MATERIAL: UNFILLED POLYESTER (PBT), UL94V-0, COLOR - BLACK.
- 2) FINISH : N/A
- 3) PRODUCT SPECIFICATION : PS-44300-001
- 4) THIS RECEPTACLE TO BE USED WITH MOLEX FEMALE CRIMP TERMINALS ONLY. (MOLEX DRAWING SD-43030-****)
- 5) THIS RECEPTACLE MATES WITH MOLEX BMI PLUG 44300, MOLEX BMI VERTICAL PCB HEADER 44432 & MOLEX BMI RIGHT ANGLE PCB HEADER 44428. (MOLEX DRAWINGS SD-44300-001, SD-44428-001, & SD-44432-001)
- 6) THIS RECEPTACLE IS DESIGNED FOR USE WITH .062/(1.57) MAX. TO .050/(1.27) MINIMUM THICK PANELS.
- 7) DIMENSIONS GIVEN ACROSS CENTERLINES ARE SYMMETRICAL ABOUT THOSE CENTERLINES WITHIN THE TOTAL TOLERANCE.
- 8) WHEN MATING WITH 44300 SERIES, THE PANEL CUT-OUT CENTERLINES OF DIM 'H' AND .385/(9.78) MUST ALIGN WITH THE PANEL CUT-OUT CENTERLINES DEFINED BY MOLEX DRAWING SD-44300-001.
- 9) MOLEX RECOMMENDS THE USE OF MICRO-FIT TEST PLUG (SERIES 44242) WHENEVER CONTINUITY TESTING IS PERFORMED, TEST PLUGS MUST NOT BE USED TO MAKE OR BREAK UNDER LOAD. MOLEX DOES NOT RECOMMEND USING STANDARD MATING COMPONENTS (SERIES 44428, 44432, OR 44300) FOR HARNESS TESTING PURPOSES.

CKT. SIZE	MATERIAL NUMBER	DIM 'A'	DIM 'B'	DIM 'G'	DIM 'H'
04	44133-0400	.97 24.6	.118 3.00	.530 13.46	.870 22.10
06	44133-0600	1.09 27.7	.236 6.00	.648 16.46	.988 25.10
08	44133-0800	1.21 30.7	.354 9.00	.766 19.46	1.106 28.10
10	44133-1000	1.33 33.8	.472 12.00	.884 22.46	1.224 31.10
12	44133-1200	1.45 36.8	.591 15.00	1.002 25.46	1.343 34.10
14	44133-1400	1.57 39.9	.709 18.00	1.120 28.46	1.461 37.10
16	44133-1600	1.69 42.9	.827 21.00	1.239 31.46	1.579 40.10
18	44133-1800	1.81 46.0	.945 24.00	1.357 34.46	1.697 43.10
20	44133-2000	1.93 49.0	1.063 27.00	1.475 37.46	1.815 46.10
22	44133-2200	2.04 51.8	1.181 30.00	1.593 40.46	1.933 49.10
24	44133-2400	2.16 54.9	1.299 33.00	1.711 43.46	2.051 52.10

NOTE #9 REVISED EC NO: UCP2004-1474 DRWN: JCERNY 2004/02/24 CHKD: JCERNY 2004/02/24 APPR: FSMITH 2004/02/26 REV DESCRIPTION	QUALITY SYMBOLS	GENERAL TOLERANCES (UNLESS SPECIFIED)	SCALE 4:1	DESIGN UNITS METRIC	THIRD ANGLE PROJECTION	REVISE ON CAD ONLY	
	▽ = 0 ▽ = 0	mm	INCH	DIMENSION STYLE IN/MM			
		4 PLACES ± --- ± ---	± .010	DRAWN BY SOMMER	DATE 1998/09/30	TITLE MICRO-FIT 3.0 FLOATING RECEPTACLE 4-24 CIRCUITS	
		3 PLACES ± --- ± ---	± .014	CHECKED BY SOMMER	DATE 1998/09/30	MOLEX MOLEX INCORPORATED	
	2 PLACES ± 0.25 ± 0.14	± .014	APPROVED BY EDGLEY	DATE 1998/09/30	MATERIAL NO. SEE CHART	DOCUMENT NO. SD-44133-001	
	1 PLACE ± 0.35 ± ---	± ---	SHEET NO. 1 OF 1				
	ANGULAR ±1/2°		THIS DRAWING CONTAINS INFORMATION THAT IS PROPRIETARY TO MOLEX INCORPORATED AND SHOULD NOT BE USED WITHOUT WRITTEN PERMISSION				