

PLEASE CHECK WWW.MOLEX.COM FOR LATEST PART INFORMATION

Part Number: [0441331600](#)
Status: **Active**
Overview: Micro-Fit 3.0™ Connectors
Description: Micro-Fit BMI™ Receptacle Housing, Dual Row, Panel Mount, 16 Circuits, PBT Polyester, UL 94V-0

Documents:

3D Model	Product Specification TS-43045-002-001 (PDF)
Drawing (PDF)	Product Specification TS-46235-001-001 (PDF)
Product Specification PS-44300-001 (PDF)	RoHS Certificate of Compliance (PDF)
Product Specification TS-43045-001-001 (PDF)	Product Literature (PDF)

Agency Certification

CSA	LR19980
UL	E29179

General

Product Family	Crimp Housings
Series	44133
Application	Power, Wire-to-Board, Wire-to-Wire
Overview	Micro-Fit 3.0™ Connectors
Product Literature Order No	987650-5984
Product Name	Micro-Fit BMI™
UPC	800753132948

Physical

Circuits (maximum)	16
Color - Resin	Black
Flammability	94V-0
Gender	Female
Glow-Wire Compliant	No
Lock to Mating Part	No
Material - Resin	Polyester
Net Weight	3.335/g
Number of Rows	2
Packaging Type	Bag
Panel Mount	Yes
Pitch - Mating Interface	3.00mm
Polarized to Mating Part	Yes
Stackable	No
Temperature Range - Operating	-40°C to +105°C

Electrical

Current - Maximum per Contact	5.0A
-------------------------------	------

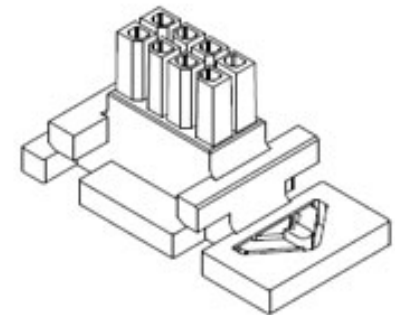
Solder Process Data

Lead-free Process Capability	N/A
------------------------------	-----

Material Info

Reference - Drawing Numbers

Product Specification	PS-44300-001, TS-43045-001-001, TS-43045-002-001, TS-46235-001-001
Sales Drawing	SD-44133-001



Series image - Reference only

EU ELV

Not Relevant

EU RoHS

Compliant

REACH SVHC

Not Contained Per - ED/21/2016 (20 June 2016)

Halogen-Free

Status

Not Low-Halogen

Need more information on product environmental compliance?

Email productcompliance@molex.com
Please visit the [Contact Us](#) section for any non-product compliance questions.

China ROHS	Green Image
ELV	Not Relevant
RoHS Phthalates	Not Contained

Search Parts in this Series

[44133](#) Series

Mates With

[44300-1600](#) Panel Mount Plug, [44432](#) Micro-Fit 3.0 BMI Vertical 16 Circuit Headers, [44428](#) Micro-Fit 3.0 BMI Right Angle 16 Circuit Headers, [45280](#) Micro-Fit 3.0 BMI CPI™ Vertical 16 Circuit Headers

Use With

[43030](#) , [Link45773](#) Micro-Fit 3.0™ Female Crimp Terminals, [46235](#) Micro-Fit RMF™ Female Crimp Terminals

PLEASE CHECK WWW.MOLEX.COM FOR LATEST PART INFORMATION

Mouser Electronics

Authorized Distributor

Click to View Pricing, Inventory, Delivery & Lifecycle Information:

[Molex:](#)

[44133-1600](#)