

PLEASE CHECK WWW.MOLEX.COM FOR LATEST PART INFORMATION

Part Number: [44300-1000](#)
Status: **Active**
Overview: Micro-Fit 3.0™ Connectors
Description: Micro-Fit BMI™ Plug Housing, Dual Row, Panel Mount, 10 Circuits

Documents:

| | |
|--|--|
| 3D Model | Test Summary TS-44300-001 (PDF) |
| Drawing (PDF) | RoHS Certificate of Compliance (PDF) |
| Product Specification PS-44300-001 (PDF) | Product Literature (PDF) |
| Packaging Specification PK-44300-001 (PDF) | |

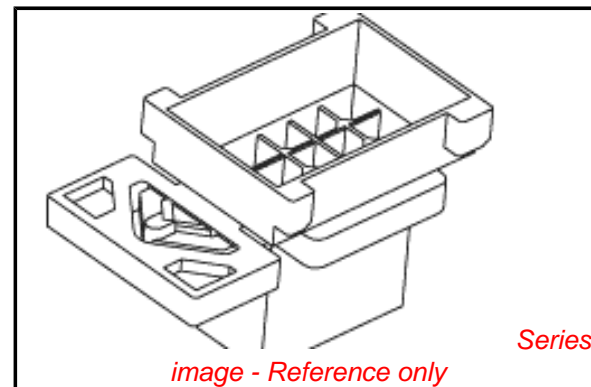


image - Reference only

Agency Certification

| | |
|-----|-----------|
| CSA | LR19980 |
| TUV | R72081037 |
| UL | E29179 |

General

| | |
|-----------------------------|---|
| Product Family | Crimp Housings |
| Series | 44300 |
| Application | Power, Wire-to-Board, Wire-to-Wire |
| Overview | Micro-Fit 3.0™ Connectors |
| Product Literature Order No | 987650-5984 |
| Product Name | Micro-Fit BMI™ |
| UPC | 800753281929 |

Physical

| | |
|-------------------------------|-----------------|
| Circuits (maximum) | 10 |
| Color - Resin | Black |
| Flammability | 94V-0 |
| Gender | Male |
| Glow-Wire Compliant | No |
| Lock to Mating Part | No |
| Material - Resin | Polyester |
| Net Weight | 3.016/g |
| Number of Rows | 2 |
| Packaging Type | Bag |
| Panel Mount | Yes |
| Pitch - Mating Interface | 3.00mm |
| Polarized to Mating Part | Yes |
| Stackable | No |
| Temperature Range - Operating | -40°C to +105°C |

Electrical

| | |
|-------------------------------|----|
| Current - Maximum per Contact | 5A |
|-------------------------------|----|

Material Info

Reference - Drawing Numbers

| | |
|-------------------------|-----------------------------|
| Packaging Specification | PK-44300-001 |
| Product Specification | PS-44300-001, RPS-44300-001 |
| Sales Drawing | SD-44300-001 |
| Test Summary | TS-44300-001 |

EU RoHS **China RoHS**

ELV and RoHS Compliant
REACH SVHC Contains SVHC: No
Low-Halogen Status Not Low-Halogen



Need more information on product environmental compliance?

Email productcompliance@molex.com
 For a multiple part number RoHS Certificate of Compliance, [click here](#)

Please visit the [Contact Us](#) section for any non-product compliance questions.

Search Parts in this Series

44300Series

Mates With

44133 , 44764 , 44769

Use With

43031 Micro-Fit 3.0™ Male Crimp Terminals