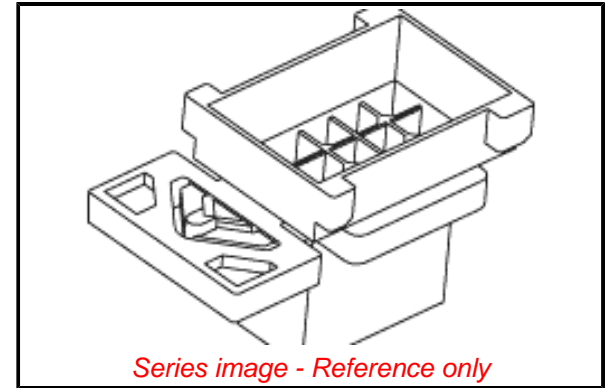


**PLEASE CHECK WWW.MOLEX.COM FOR LATEST PART INFORMATION**

**Part Number:** **0443001200**  
**Status:** **Active**  
**Overview:** Micro-Fit 3.0 Connector System Product Family  
**Description:** Micro-Fit BMI™ Plug Housing, Dual Row, Panel Mount, 12 Circuits

**Documents:**

<a href="#">3D Model</a>	<a href="#">Product Specification TS-44300-001-001 (PDF)</a>
<a href="#">Drawing (PDF)</a>	<a href="#">Product Specification TS-46235-001-001 (PDF)</a>
<a href="#">Product Specification PS-44300-001 (PDF)</a>	<a href="#">Packaging Specification PK-44300-001-001 (PDF)</a>
<a href="#">Product Specification TS-43045-001-001 (PDF)</a>	<a href="#">RoHS Certificate of Compliance (PDF)</a>
<a href="#">Product Specification TS-43045-002-001 (PDF)</a>	<a href="#">Product Literature (PDF)</a>



**Agency Certification**

CSA	LR19980
UL	E29179

**General**

Product Family	Crimp Housings
Series	<u>44300</u>
Application	Power, Wire-to-Board, Wire-to-Wire
Overview	<u>Micro-Fit 3.0 Connector System Product Family</u>
Product Literature Order No	987650-5984
Product Name	Micro-Fit BMI™
UPC	800754809689

**Physical**

Circuits (maximum)	12
Color - Resin	Black
Flammability	94V-0
Gender	Plug
Glow-Wire Compliant	No
Lock to Mating Part	No
Material - Resin	Polyester
Net Weight	3.520/g
Number of Rows	2
Packaging Type	Bag
Panel Mount	Yes
Pitch - Mating Interface	3.00mm
Polarized to Mating Part	Yes
Stackable	No
Temperature Range - Operating	-40°C to +105°C

**Electrical**

Current - Maximum per Contact	5.0A
-------------------------------	------

**Solder Process Data**

Lead-free Process Capability	N/A
------------------------------	-----

**Material Info**

**Reference - Drawing Numbers**

Packaging Specification	PK-44300-001-001
Product Specification	PS-44300-001, TS-43045-001-001, TS-43045-002-001, TS-44300-001-001, TS-46235-001-001
Sales Drawing	SD-44300-001

**EU ELV**

**Not Relevant**

**EU RoHS**

**Compliant**

**REACH SVHC**

Not Contained Per  
-ED/01/2017 (12  
January 2017)

**Halogen-Free**

**Status**

**Not Low-Halogen**

**Need more information on product environmental compliance?**

Email [productcompliance@molex.com](mailto:productcompliance@molex.com)  
Please visit the [Contact Us](#) section for any non-product compliance questions.

China ROHS	Green Image
ELV	Not Relevant
RoHS Phthalates	Not Contained

**Search Parts in this Series**

44300 Series

**Mates With**

44133 , 44764 , 44769

**Use With**

43031 Micro-Fit 3.0™ Male Crimp Terminals

**PLEASE CHECK [WWW.MOLEX.COM](http://WWW.MOLEX.COM) FOR LATEST PART INFORMATION**