

PLEASE CHECK WWW.MOLEX.COM FOR LATEST PART INFORMATION

Part Number: [44300-1600](#)
Status: **Active**
Overview: Micro-Fit 3.0™ Connectors
Description: 3.00mm Micro-Fit 3.0 BMI™ Plug Housing, Dual Row, Panel Mount, 16 Circuits

Documents:

[3D Model](#) [RoHS Certificate of Compliance \(PDF\)](#)
[Drawing \(PDF\)](#) [Product Literature \(PDF\)](#)
[Product Specification PS-44300-001 \(PDF\)](#)

Agency Certification

CSA LR19980
TUV R72081037
UL E29179

General

Product Family Crimp Housings
Series [44300](#)
Application Power, Wire-to-Board, Wire-to-Wire
Overview [Micro-Fit 3.0™ Connectors](#)
Product Literature Order No 987650-5984
Product Name Micro-Fit 3.0 BMI™

Physical

Circuits (maximum) 16
Color - Resin Black
Flammability 94V-0
Gender Male
Glow-Wire Compliant No
Material - Resin Polyester
Number of Rows 2
Packaging Type Bag
Panel Mount Yes
Pitch - Mating Interface 3.00mm
Stackable No
Temperature Range - Operating -40°C to +105°C

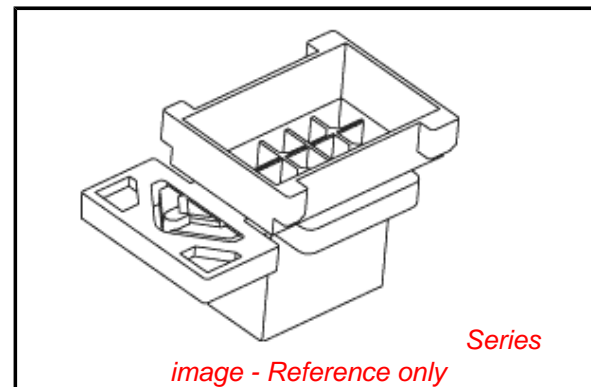
Electrical

Current - Maximum per Contact 5A

Material Info

Reference - Drawing Numbers

Product Specification PS-44300-001, RPS-44300-001
Sales Drawing SD-44300-001



EU RoHS

**ELV and RoHS
Compliant
REACH SVHC
Contains SVHC: No
Low-Halogen Status
Not Low-Halogen**

China RoHS



**Need more information on product
environmental compliance?**

Email productcompliance@molex.com
For a multiple part number RoHS Certificate of Compliance, [click here](#)

Please visit the [Contact Us](#) section for any non-product compliance questions.

Search Parts in this Series

44300Series

Mates With

44133 , 44764 , 44769

Use With

43031