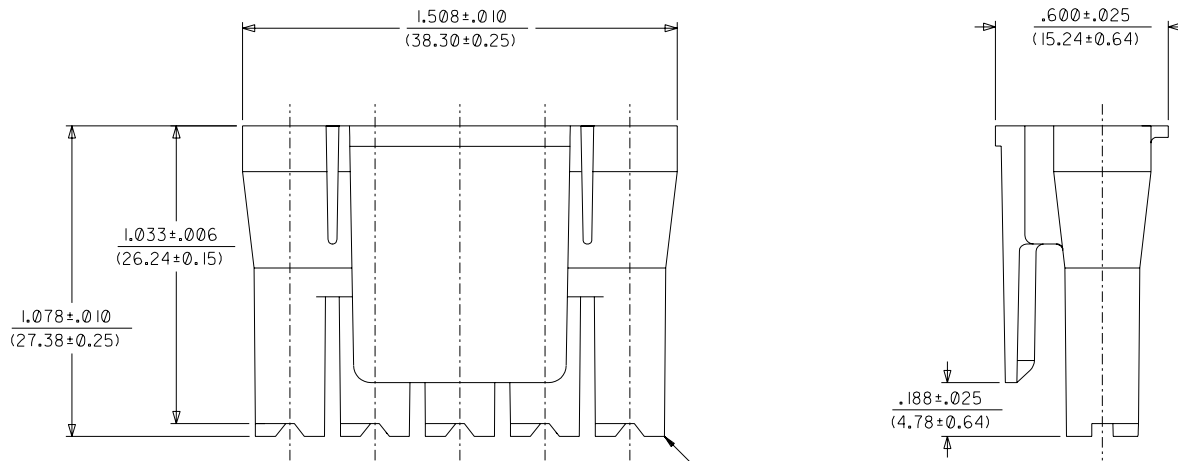


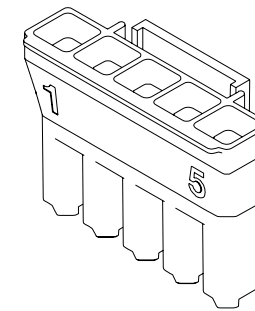
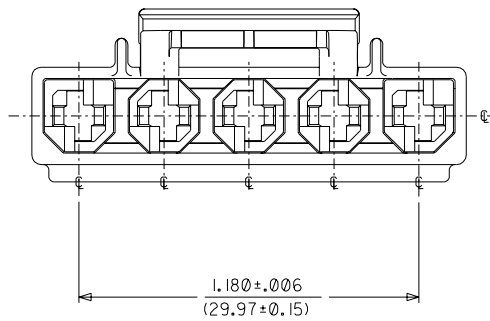
NOTES:

1. MATERIAL: SEE CHART.
2. THIS CONNECTOR HOUSING FOR USE WITH 43375-***** TERMINALS.
3. THIS CONNECTOR HOUSING WILL MATE TO A-43160-*****5, 43180-****5, AND 43680-****5 HOUSINGS.
4. PRODUCT SPECIFICATION: PSX-44441-9999.
5. PACKAGING: PK-44441-001.

ITEM NUMBER	MATERIAL	COLOR
44441-2005	UL94V-0 NYLON	BLACK
44441-1005	UL94V-2 NYLON	NATURAL (TRANSLUCENT)



CIRCUIT 1



44441-005
(NO SCALE)

C1	ADD V-2 VERSION UCP 2004-2000 BW 9-20-04
C	REVISED PER UCR1999-0340 98/11/25 LENZ
B2	REVISED PER ECN* U71442 97/05/21 KBP
B1	REVISED PER ECR *U70915 MARANTO 97/02/06
B	REVISED PER ECR *U70564 MARANTO 97/01/15
A1	REVISED PER ECN* U70029 96/07/12 KSM
A	REMOVE "X" PER ECN* U60363 95/09/18 MAB
I	X-RELEASE ECR U5 0548 GXC 95/01/09

DIMENSIONS SHOWN (METRIC) INCH		UNLESS OTHERWISE SPECIFIED TOLERANCES: ANGULAR ± 1/2°		REVISE ONLY ON CAD SYSTEM	
INCH	METRIC	INCH	METRIC	FILE NAME	SHEET NO.
3 PLACE ± .005	---	3 PLACE ± .005	---	54444151	1 OF 1
2 PLACE ± .01	± 0.13	2 PLACE ± .01	± 0.13	DATE	95/01/09
1 PLACE ---	± 0.25	1 PLACE ---	± 0.25	MOLEX INCORPORATED U.S.A.	
DRAFT WHERE APPLICABLE MUST REMAIN WITHIN DIMENSIONS		DRAFT WHERE APPLICABLE MUST REMAIN WITHIN DIMENSIONS		MOLEX INC. AND SHOULD NOT BE USED WITHOUT WRITTEN PERMISSION	
DRWG. BY: GXC	CHK'D. BY: KBP	SCALE: 3: 1	DRWG. NO.: SD-44441-005	DIV. CP	