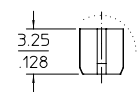
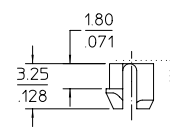
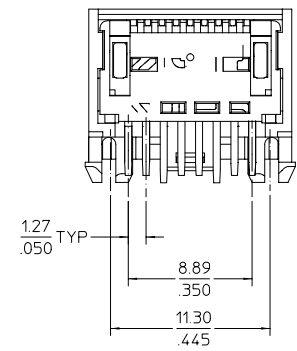
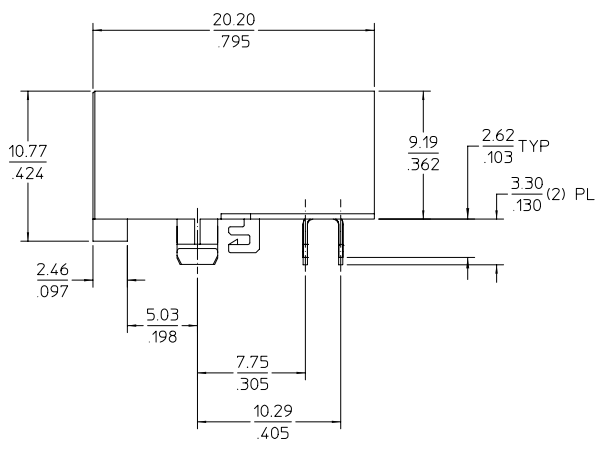
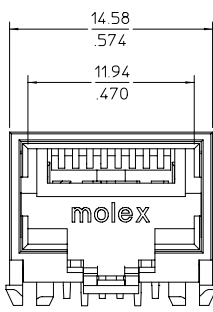
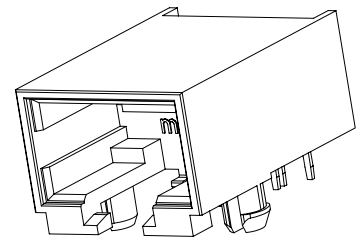


NOTES:

1. MATERIALS:  
HOUSING:  
NYLON(PA), GLASS FILLED, UL94V-0, COLOR: BLACK  
TERMINALS:  
PHOSPHOR BRONZE
2. FINISHES:  
TERMINALS:  
50 MICROINCHES MIN GOLD AND 50 MICROINCHES MIN TIN-LEAD OVER 50 MICROINCHES MIN NICKEL UNDERPLATE
3. PRODUCT SPECIFICATION: PS-44560-003
4. PACKAGING SPECIFICATION:  
CONNECTOR PACKAGED IN TRAYS PER MOLEX PACKAGING SPECIFICATION PK-44661-004
5. CONFORMS TO FCC REGULATION PART 68.5 FOR MODULAR JACKS
6. SEE SHEET (4) OF (4) FOR RECOMMENDED PANEL OPENING AND PCB LAYOUT
7. ASSEMBLY AVAILABLE WITH EITHER SNAP-FIT OR PRESS-FIT PEGS.  
THIS DRAWING SHOWS SNAP-FIT PEGS



SNAP-FIT PEG

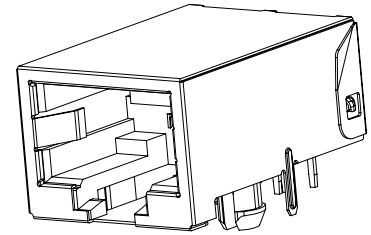
PRESS-FIT PEG

ASSEMBLY MATERIAL NUMBER	PEG STYLE
446610002	SNAP-FIT
446611002	PRESS-FIT

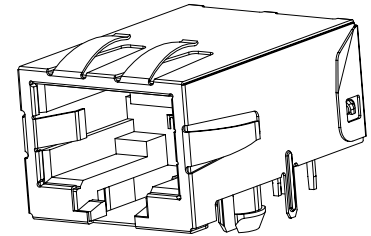
EC NO: UCP2003-0502 DRWN: MKAMAR002/09/25 CHKD: MKAMARA002/09/30 APPR: BWRKUS, 2002/10/01	QUALITY SYMBOLS	GENERAL TOLERANCES (UNLESS SPECIFIED)		SCALE 4:1	DESIGN UNITS INCH	THIRD ANGLE PROJECTION	REVISE ON CAD ONLY
	-0 +0	4 PLACES ± --- ± ---	DIMENSION STYLE MM/IN		TITLE		COMPACT SINGLE PORT CATEGORY 5 MODJACK
		3 PLACES ± --- ± .012	DRAWN BY MKAMAR DATE 00/04/07		MATERIAL NO. MOLEX INCORPORATED		
		2 PLACES ± 0.30 ± ---	CHECKED BY MKAMAR DATE 00/04/07		DOCUMENT NO. SD-44661-001 SHEET NO. 1 OF 4		
1 PLACE ± --- ± ---	ANGULAR ± 1/2°		APPROVED BY JROBERTS DATE 00/04/07		THIS DRAWING CONTAINS INFORMATION THAT IS PROPRIETARY TO MOLEX INCORPORATED AND SHOULD NOT BE USED WITHOUT WRITTEN PERMISSION		
DRAFT WHERE APPLICABLE MUST REMAIN WITHIN DIMENSIONS							

NOTES:

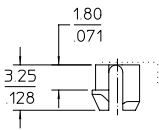
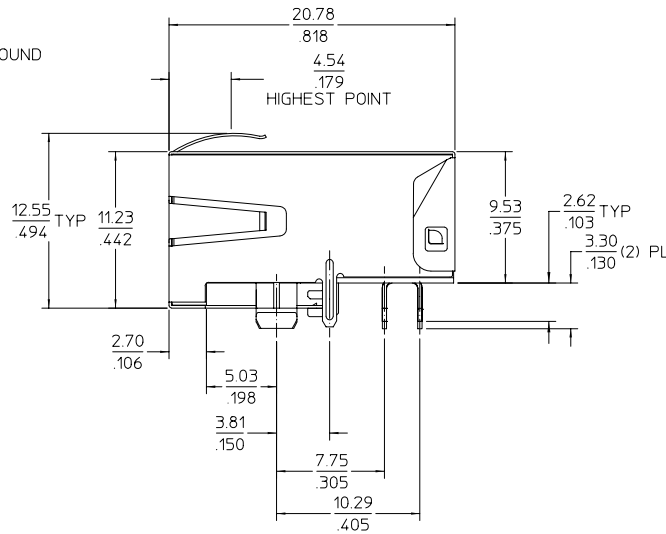
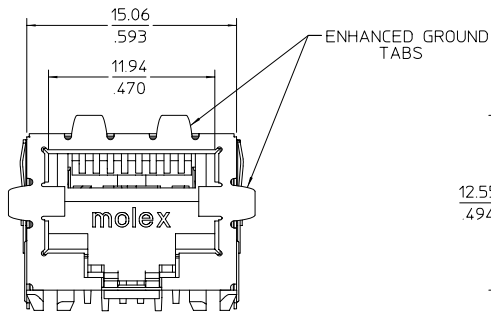
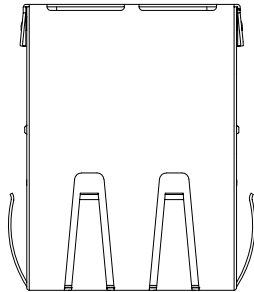
1. MATERIALS:  
HOUSING:  
NYLON(PA), GLASS FILLED, UL94V-0, COLOR: BLACK  
TERMINALS:  
PHOSPHOR BRONZE  
SHIELD:  
TIN/LEAD PLATED BRASS
2. FINISHES:  
TERMINALS:  
50 MICROINCHES MIN GOLD AND 50 MICROINCHES MIN TIN-LEAD OVER 50 MICROINCHES MIN NICKEL UNDERPLATE
3. PRODUCT SPECIFICATION: PS-44560-003
4. PACKAGING SPECIFICATION:  
CONNECTOR PACKAGED IN TRAYS PER MOLEX PACKAGING SPECIFICATION PK-44661-004
5. CONFORMS TO FCC REGULATION PART 68.5 FOR MODULAR JACKS
6. ENHANCED GROUND TABS SHIELD (OPTION -B-) IS SHOWN IN THIS DRAWING
7. SEE SHEET (4) OF (4) FOR RECOMMENDED PANEL OPENING AND PCB LAYOUT
8. ASSEMBLY AVAILABLE WITH EITHER SNAP-FIT OR PRESS-FIT PEGS. THIS DRAWING SHOWS SNAP-FIT PEGS



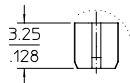
SHIELDING OPTION -A-  
STANDARD SHIELD



SHIELDING OPTION -B-  
ENHANCED GROUND TABS



SNAP-FIT PEG



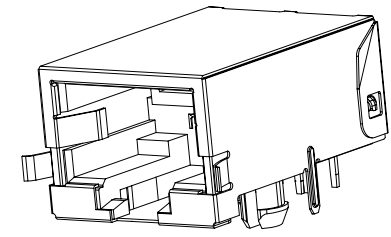
PRESS-FIT PEG

ASSEMBLY MATERIAL NUMBER	PEG STYLE	SHIELDING OPTION
446610001	SNAP-FIT	A
446610011	SANP-FIT	B
446611001	PRESS-FIT	A
446611011	PRESS-FIT	B

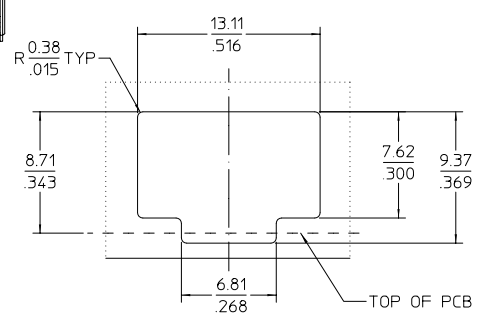
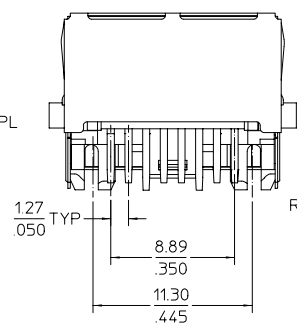
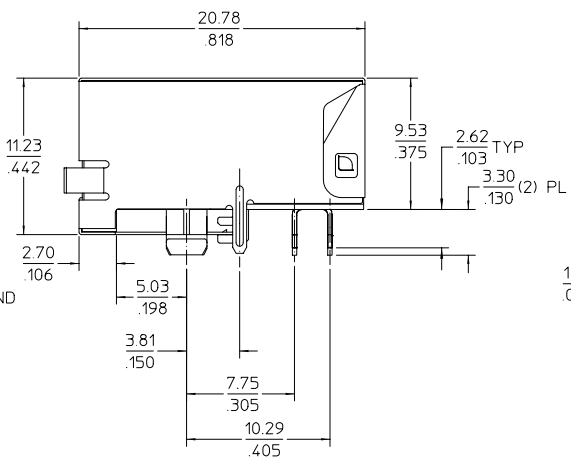
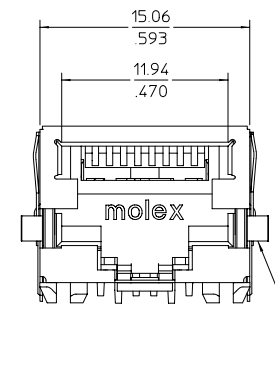
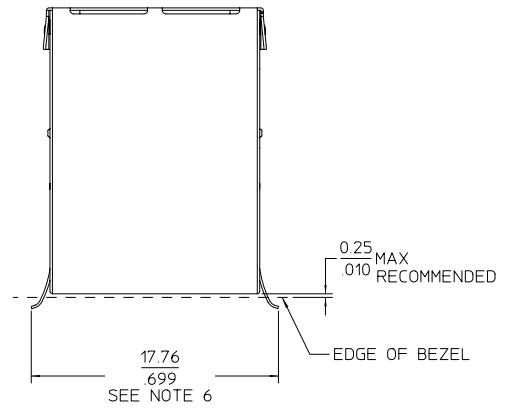
EC NO: UCP2003-0502 DRWN: MKAMAR0002/09/25 CHKD: MKAMAR0002/09/30 APPR: BWRKUS, 2002/10/01 REV: B1	QUALITY SYMBOLS ▽ - 0 ▽ < 0	GENERAL TOLERANCES (UNLESS SPECIFIED) 4 PLACES ± --- ± --- 3 PLACES ± --- ± .012 2 PLACES ± 0.30 ± --- 1 PLACE ± --- ± --- ANGULAR ± 1/2° DRAFT WHERE APPLICABLE MUST REMAIN WITHIN DIMENSIONS	SCALE 4:1 DESIGN UNITS INCH DIMENSION STYLE MM/IN DRAWN BY MKAMAR DATE 00/04/07 CHECKED BY MKAMAR DATE 00/04/07 APPROVED BY JROBERTS DATE 00/04/07	THIRD ANGLE PROJECTION REVISE ON CAD ONLY TITLE COMPACT SINGLE PORT CATEGORY 5 MODJACK MOLEX INCORPORATED DOCUMENT NO. SD-44661-001 SHEET NO. 2 OF 4	
	THIS DRAWING CONTAINS INFORMATION THAT IS PROPRIETARY TO MOLEX INCORPORATED AND SHOULD NOT BE USED WITHOUT WRITTEN PERMISSION			SHEET NO. 2 OF 4	
					SHEET NO. 2 OF 4
					SHEET NO. 2 OF 4

NOTES:

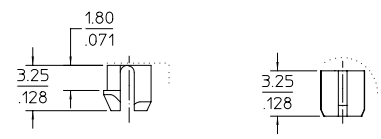
- MATERIALS:  
HOUSING: NYLON(PA), GLASS FILLED, UL94V-0, COLOR: BLACK  
TERMINALS: PHOSPHOR BRONZE  
SHIELD: TIN/LEAD PLATED BRASS
- FINISHES:  
TERMINALS: 50 MICROINCHES MIN GOLD AND 50 MICROINCHES MIN TIN-LEAD OVER 50 MICROINCHES MIN NICKEL UNDERPLATE
- PRODUCT SPECIFICATION: PS-44560-003
- PACKAGING SPECIFICATION:  
CONNECTOR PACKAGED IN TRAYS PER MOLEX PACKAGING SPECIFICATION PK-44661-004
- CONFORMS TO FCC REGULATION PART 68.5 FOR MODULAR JACKS
- THIS DIMENSION HAS A MAXIMUM OF 20.45/0.805 WHEN THE JACK IS INSTALLED BEHIND THE BEZEL
- SEE SHEET (4) OF (4) FOR PCB LAYOUT
- ASSEMBLY AVAILABLE WITH EITHER SNAP-FIT OR PRESS-FIT PEGS. THIS DRAWING SHOWS SNAP-FIT PEGS



SHIELDING OPTION -C-  
BEZEL GROUND TABS



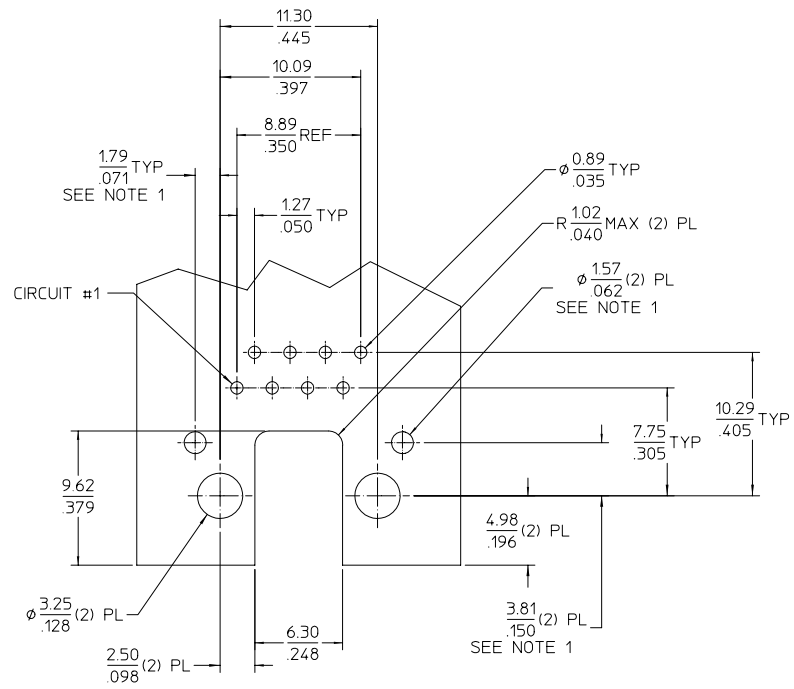
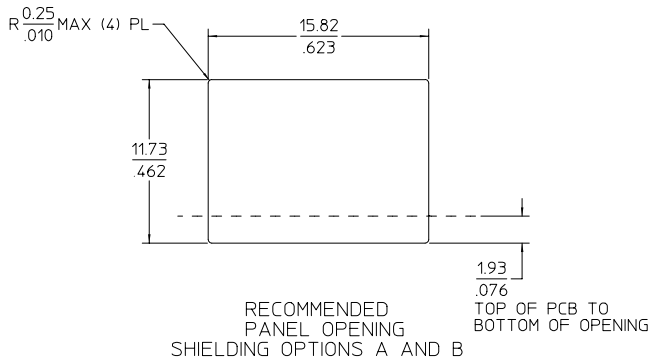
RECOMMENDED  
PANEL OPENING  
FOR PMC BEZEL ONLY



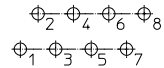
SNAP-FIT PEG      PRESS-FIT PEG

ASSEMBLY MATERIAL NUMBER	PEG STYLE
446610021	SNAP-FIT
446611021	PRESS-FIT

EC NO: UCP2003-0502 DRWN: MKAMAR0002/09/25 CHKD: MKAMAR0002/09/30 APPR: BWIRKUS, 2002/10/01 REV: B1	QUALITY SYMBOLS	GENERAL TOLERANCES (UNLESS SPECIFIED)	SCALE 4:1	DESIGN UNITS INCH	THIRD ANGLE PROJECTION	REVISE ON CAD ONLY
	-0 +0	mm      INCH	DIMENSION STYLE MM/IN	TITLE		
		4 PLACES ± --- ± ---	DRAWN BY MKAMAR      DATE 00/04/07	COMPACT SINGLE PORT CATEGORY 5 MODJACK		
		3 PLACES ± --- ± .012	CHECKED BY MKAMAR      DATE 00/04/07	MOLEX INCORPORATED APPROVED BY JROBERTS      DATE 00/04/07 MATERIAL NO. SEE CHART      DOCUMENT NO. SD-44661-001      SHEET NO. 3 OF 4		
DRAFT WHERE APPLICABLE MUST REMAIN WITHIN DIMENSIONS		THIS DRAWING CONTAINS INFORMATION THAT IS PROPRIETARY TO MOLEX INCORPORATED AND SHOULD NOT BE USED WITHOUT WRITTEN PERMISSION				



PCB LAYOUT : COMPONENT SIDE  
 RECOMMENDED PCB THICKNESS (SNAP-FIT PEG) : 1.57/0.62  
 TOLERANCE ±.076/0.003 UNLESS OTHERWISE SPECIFIED



TYPICAL PC TERMINAL HOLE LAYOUT

NOTES:

1. DIMENSIONS REFER TO ASSEMBLIES WITH SHIELDING OPTION

EC NO: UCP2003-0507 DRWN: MKAMARA002/09/25 CHKD: MKAMARA002/09/30 APPR: BWIRKUS, 2002/10/01	QUALITY SYMBOLS	GENERAL TOLERANCES (UNLESS SPECIFIED)		SCALE 4:1	DESIGN UNITS INCH	THIRD ANGLE PROJECTION	REVISE ON CAD ONLY
	-0 +0	4 PLACES ± --- ± ---	DIMENSION STYLE MM/IN		DRAWN BY MKAMARA DATE 00/04/07		TITLE COMPACT SINGLE PORT CATEGORY 5 MODJACK
		3 PLACES ± --- ± .012	CHECKED BY MKAMARA DATE 00/04/07		APPROVED BY JROBERTS DATE 00/04/07		
		2 PLACES ± 0.30 ± ---	MATERIAL NO. N/A		DOCUMENT NO. SD-44661-001		
1 PLACE ± --- ± ---	ANGULAR ± 1/2°		SHEET NO. 4 OF 4		MOLEX INCORPORATED		
REV	DRAFT WHERE APPLICABLE MUST REMAIN WITHIN DIMENSIONS		THIS DRAWING CONTAINS INFORMATION THAT IS PROPRIETARY TO MOLEX INCORPORATED AND SHOULD NOT BE USED WITHOUT WRITTEN PERMISSION				

Datasheet

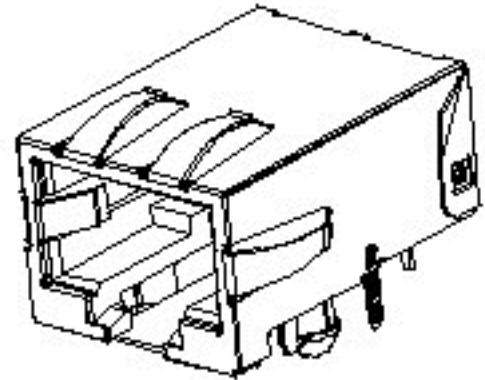
Modular Plugs and Jacks

Modular Jack, High Speed, Compact Profile, Shielded and Unshielded 44661

[ [Home](#) > [Products](#) > [Modular Plugs and Jacks](#) > Datasheet ]

[Help](#)

<a href="#">Status</a>	Active
<a href="#">Component</a>	PCB Jack
<a href="#">Ports</a>	1
<a href="#">Positions / Loaded</a>	8/8
<a href="#">Performance Category</a>	5E
<a href="#">Entry</a>	Right Angle (Side Entry)
<a href="#">Shielded</a>	Yes, No
<a href="#">Inverted / Top Latch</a>	No
<a href="#">Profile</a>	Low
<a href="#">PCB Mounting</a>	Through Hole
<a href="#">Surface Mount Compatible (SMC)</a>	Yes
<a href="#">PCB Retention</a>	Press-fit Plastic Peg, Snap-in Plastic Peg
<a href="#">PCB Thickness</a>	1.57mm (.062")
<a href="#">Lightpipes</a>	No
<a href="#">Keying to Mating Part</a>	None
<a href="#">Panel Stops</a>	No
<a href="#">Packaging</a>	Tray
<a href="#">Mates With</a>	FCC 68 Plugs
<a href="#">Designed In</a>	Inches
<a href="#">Current-max [amps]</a>	1.5A
<a href="#">Voltage-max [volts]</a>	150V
<a href="#">Contact Resistance [ohms]</a>	20 milliohms max.
<a href="#">Withstanding Voltage</a>	1000V AC
<a href="#">Insulation Resistance [ohms]</a>	500 Megohms min.
<a href="#">Durability [mating cycles] min.</a>	500



**Features and Benefits**

- Low profile conforms to Compact PCI, Eurocard and Common Mezzanine Card standards
- Exceeds Category 5 performance
- Meets Gigabit Ethernet industry standard
- Tabs on shield provide enhanced grounding to panel
- Surface Mount Compatible

<a href="#">Housing - Material</a>	<b>Nylon, Glass-filled</b>
<a href="#">Color</a>	<b>Black</b>
<a href="#">Flammability</a>	<b>UL 94V-0</b>
Contact	<b>Phosphor Bronze</b>
<a href="#">Plating Contact</a>	<b>1.27µm (50µ") Gold (Au)</b>
<a href="#">Plating Tail</a>	<b>0.50µm (20µ") Tin/Lead (Sn/Pb) over Nickel (Ni)</b>
<a href="#">Under Plating</a>	<b>Nickel (Ni)</b>
<a href="#">Temperature Range</a>	<b>-40°C to +70°C</b>
Universal Service Order Code	<b>RJ45</b>
<a href="#">Product Specification</a>	<b>PS-44560-003</b>
<a href="#">Comment</a>	<b>Enhanced panel grounding tabs</b>
<a href="#">Molex Series</a>	<b>44661</b>

[E-mail this page to a friend](#)

[ © Copyright 2002 Molex Incorporated ]