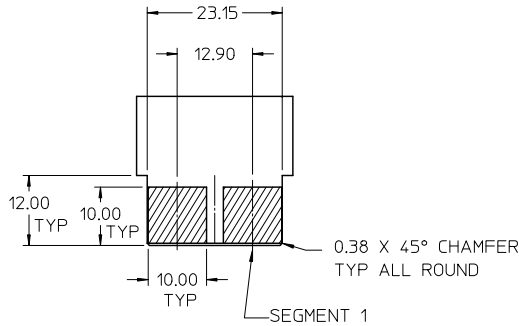
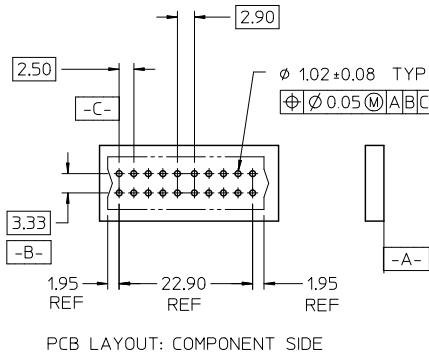
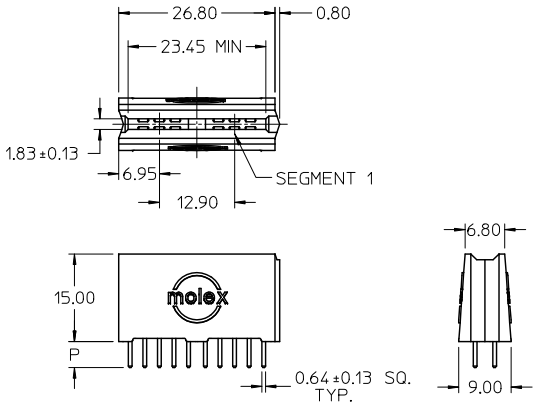


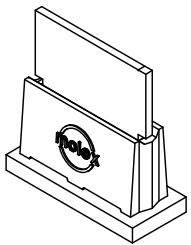
NOTES:

- HOUSING MATL: LCP, UL94V-0, COLOR BLACK  
TERMINAL MATL: COPPER ALLOY
- FINISH: SELECT GOLD: 30 M.I. MIN IN CONTACT AREA  
SELECT TIN: 150 M.I. MIN IN SOLDER AREA  
OVERALL NICKEL UNDERPLATE.
- PRODUCT SPECIFICATION: PS-45719-001.
- PACKAGING SPECIFICATION: PK-45714-001.
- PCB THICKNESS: SEE CHART
- EDGE CARD THICKNESS: 1.57±0.15
- DIMENSIONS GIVEN ACROSS CENTERLINES ARE SYMMETRICAL ABOUT THOSE CENTERLINES WITHIN HALF TOTAL TOLERANCE.
- VOIDED SEGMENTS DO NOT HAVE TERMINALS IN THE TOP OR BOTTOM ROW



RECOMMENDED EDGE CARD LAYOUT TOLERANCE: ±0.05

MATERIAL NUMBER	VOIDED SEGMENT	P	PCB THK
45719-0001	NONE	4.50	3.18
45719-2001	1		
45719-2002	2	3.63	2.36
45719-0004	NONE		
45719-2003	1	2.92	1.57
45719-2004	2		
45719-0007	NONE	2.92	1.57
45719-2005	1		
45719-2006	2		



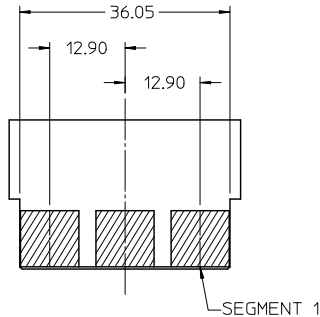
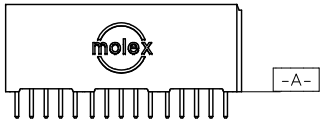
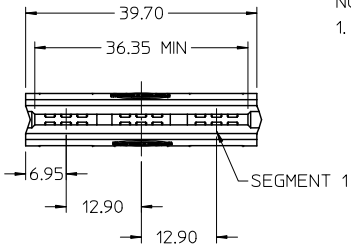
ADD PIN DIM & TOL EC NO: UCP2009-2476 DRWN: JSCHAFFER 2009/04/07 CHKD: 2009/04/07 APPR: APATEL 2009/04/20 REV DESCRIPTION	GENERAL TOLERANCES (UNLESS SPECIFIED)		DIMENSION STYLE MM ONLY		SCALE 1:1	DESIGN UNITS METRIC	THIRD ANGLE PROJECTION	
		mm	INCH	DRAWN BY MARGULIS	DATE 2003/11/11	TITLE POWER EDGE ASSEMBLY POWER VERTICAL SOLDER TAIL MOLEX INCORPORATED		
	4 PLACES	±---	±---	CHECKED BY	DATE			
	3 PLACES	±---	±---	MARGULIS	2003/11/11			
2 PLACES	±0.25	±---	APPROVED BY	DATE				
	1 PLACE	±0.25	MARGULIS	2003/11/11	DOCUMENT NO. SD-45719-001			
DRAFT WHERE APPLICABLE MUST REMAIN WITHIN DIMENSIONS		ANGULAR ±1/2°		SHEET NO. 1 OF 3		THIS DRAWING CONTAINS INFORMATION THAT IS PROPRIETARY TO MOLEX INCORPORATED AND SHOULD NOT BE USED WITHOUT WRITTEN PERMISSION		

tb\_frame\_A\_P\_AM\_T  
Rev. D 2004/06/28

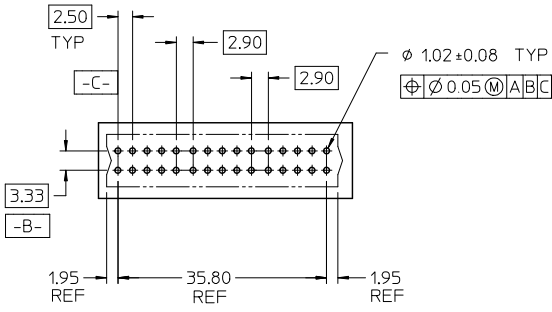
6 | 5 | 4 | 3 | 2 | 1

NOTES:

1. FOR ALL OTHER DIMENSIONS AND NOTES SEE SHEET 1.

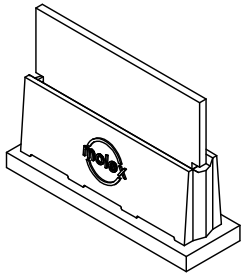


RECOMMENDED EDGE CARD LAYOUT  
EDGE CARD TOLERANCE: ±0.05



PCB LAYOUT: COMPONENT SIDE

MATERIAL NUMBER	VOIDED SEGMENT	P	PCB THK
45719-0002	NONE	4.50	3.18
45719-3001	1		
45719-3002	2		
45719-3003	3		
45719-3004	1,2		
45719-3005	1,3		
45719-3006	2,3	3.63	2.36
45719-0005	NONE		
45719-3007	1		
45719-3008	2		
45719-3009	3		
45719-3010	1,2		
45719-3011	1,3	2.92	1.57
45719-3012	2,3		
45719-0008	NONE		
45719-3013	1		
45719-3014	2		
45719-3015	3		
45719-3016	1,2	2.92	1.57
45719-3017	1,3		
45719-3018	2,3		

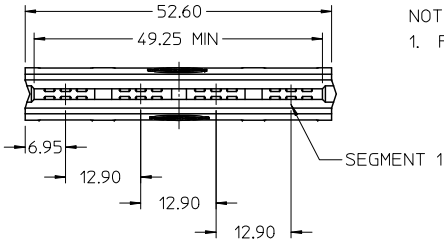


EC NO: UCP2009-2476 DRWN: JSCHAER 2009/04/07 CHKD: 2009/04/07 APPR: APATEL 2009/04/20 REV 1 DESCRIPTION	GENERAL TOLERANCES (UNLESS SPECIFIED)		DIMENSION STYLE MM ONLY		SCALE 1:1	DESIGN UNITS METRIC	THIRD ANGLE PROJECTION
		mm	INCH	DRAWN BY MARGULIS	DATE 2003/11/11	TITLE POWER EDGE ASSEMBLY POWER VERTICAL SOLDER TAIL MOLEX INCORPORATED DOCUMENT NO. SD-45719-001 SHEET NO. 2	
	4 PLACES	±---	±---	CHECKED BY	DATE		
	3 PLACES	±---	±---	MARGULIS	2003/11/11		
2 PLACES	±0.25	±---	APPROVED BY	DATE			
	1 PLACE	±0.25	±---	MARGULIS	2003/11/11		
		ANGULAR ±1/2°					
DRAFT WHERE APPLICABLE MUST REMAIN WITHIN DIMENSIONS				SIZE A	THIS DRAWING CONTAINS INFORMATION THAT IS PROPRIETARY TO MOLEX INCORPORATED AND SHOULD NOT BE USED WITHOUT WRITTEN PERMISSION		

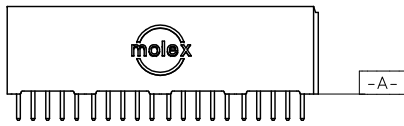
fb\_frame\_A\_P\_AM\_T  
Rev. D 2004/06/28

5 | 4 | 3 | 2 | 1

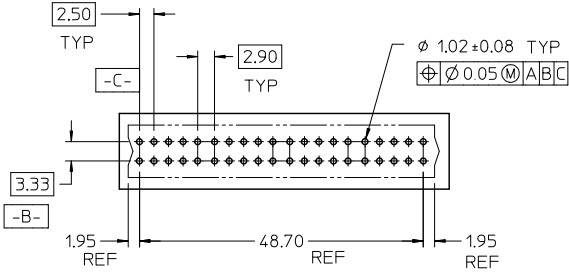
6 5 4 3 2 1



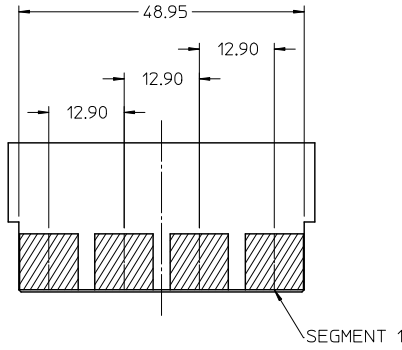
NOTES:  
1. FOR ALL OTHER DIMENSIONS AND NOTES SEE SHEET 1.



-A-

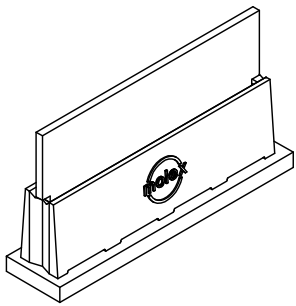


PCB LAYOUT: COMPONENT SIDE



RECOMMENDED EDGE CARD LAYOUT  
EDGE CARD TOLERANCE: ±0.05

MATERIAL NUMBER	VOIDED SEGMENT	P	PCB THK
45719-0003	NONE	4.50	3.18
45719-4001	1		
45719-4002	2		
45719-4003	3		
45719-4004	4		
45719-4005	1,2		
45719-4006	1,3		
45719-4007	1,4		
45719-4008	2,3		
45719-4009	2,4		
45719-4010	3,4		
45719-0006	NONE	3.63	2.36
45719-4011	1		
45719-4012	2		
45719-4013	3		
45719-4014	4		
45719-4015	1,2		
45719-4016	1,3		
45719-4017	1,4		
45719-4018	2,3		
45719-4019	2,4		
45719-4020	3,4		
45719-0009	NONE	2.92	1.57
45719-4021	1		
45719-4022	2		
45719-4023	3		
45719-4024	4		
45719-4025	1,2		
45719-4026	1,3		
45719-4027	1,4		
45719-4028	2,3		
45719-4029	2,4		
45719-4030	3,4		



EC NO: UCP2009-2476 DRWN: JSCHAER 2009/04/07 CHKD: 2009/04/07 APPR: APATEL 2009/04/20 REV DESCRIPTION	GENERAL TOLERANCES (UNLESS SPECIFIED)		DIMENSION STYLE MM ONLY		SCALE 1:1	DESIGN UNITS METRIC	THIRD ANGLE PROJECTION
		mm	INCH	DRAWN BY MARGULIS	DATE 2003/11/11	TITLE POWER EDGE ASSEMBLY POWER VERTICAL SOLDER TAIL	
	4 PLACES	±---	±---	CHECKED BY	DATE	MOLEX INCORPORATED	
	3 PLACES	±---	±---	MARGULIS	2003/11/11	DOCUMENT NO. SD-45719-001	SHEET NO. 3
	2 PLACES	±0.25	±---	APPROVED BY	DATE	THIS DRAWING CONTAINS INFORMATION THAT IS PROPRIETARY TO MOLEX INCORPORATED AND SHOULD NOT BE USED WITHOUT WRITTEN PERMISSION	
	1 PLACE	±0.25	±---	MARGULIS	2003/11/11		
	ANGULAR ±1/2°		DRAFT WHERE APPLICABLE MUST REMAIN WITHIN DIMENSIONS		SIZE A		

fb\_frame\_A\_P\_AM\_T  
Rev. D 2004/06/28

5 4 3 2 1