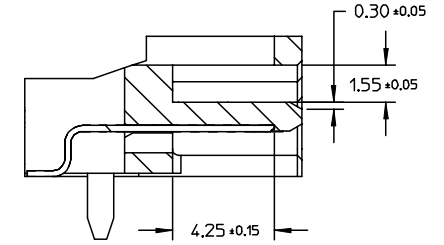
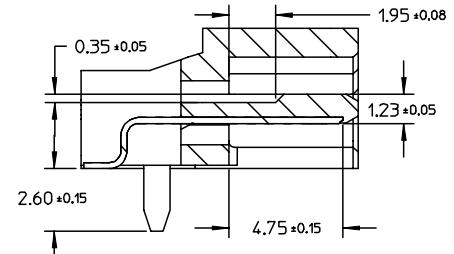
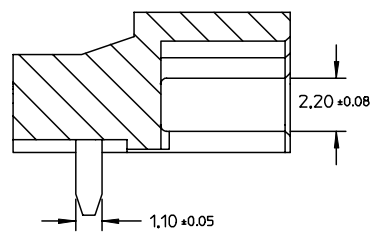
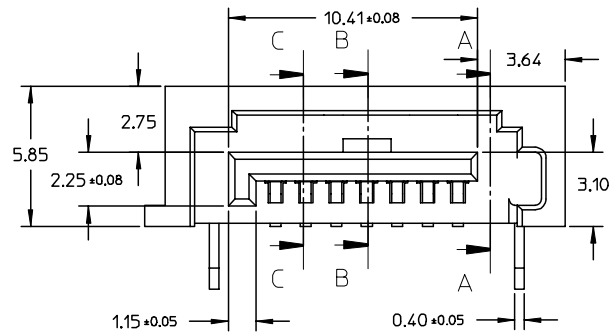
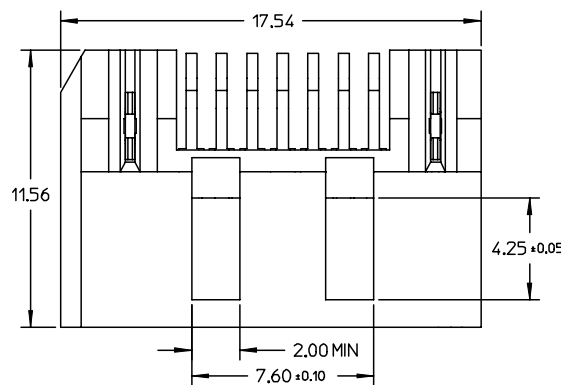
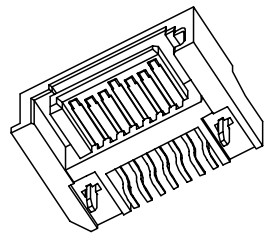


			47080
PART NO	PLATING TYPE	PACKAGE METHOD	HOUSING COLOR
47080-1001	GOLD FLASH	WITH MYLAR TAPE REEL	BLACK
47080-1002	GOLD PLATED 0.76 MICRONS		
47080-1005	GOLD PLATED 0.38 MICRONS		
47080-2001	SGOLD FLASH	WITH MYLAR TAPE REEL	NATURE COLOR
47080-2002	GOLD PLATED 0.76 MICRONS		
47080-2005	GOLD PLATED 0.38 MICRONS		
47080-3001	GOLD FLASH	WITH MYLAR TAPE REEL	PROCESS BLUE C DELTA E<3
47080-3002	GOLD PLATED 0.76 MICRONS		
47080-3005	GOLD PLATED 0.38 MICRONS		

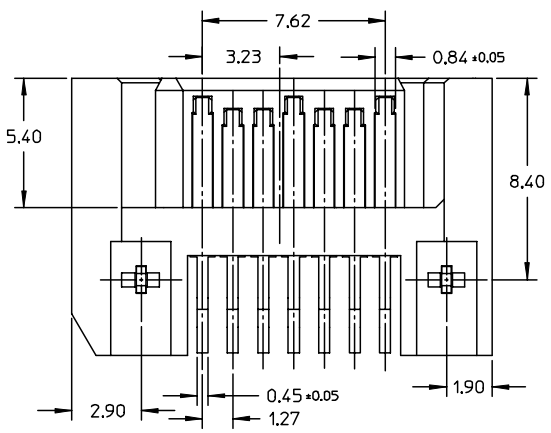


SECTION A-A

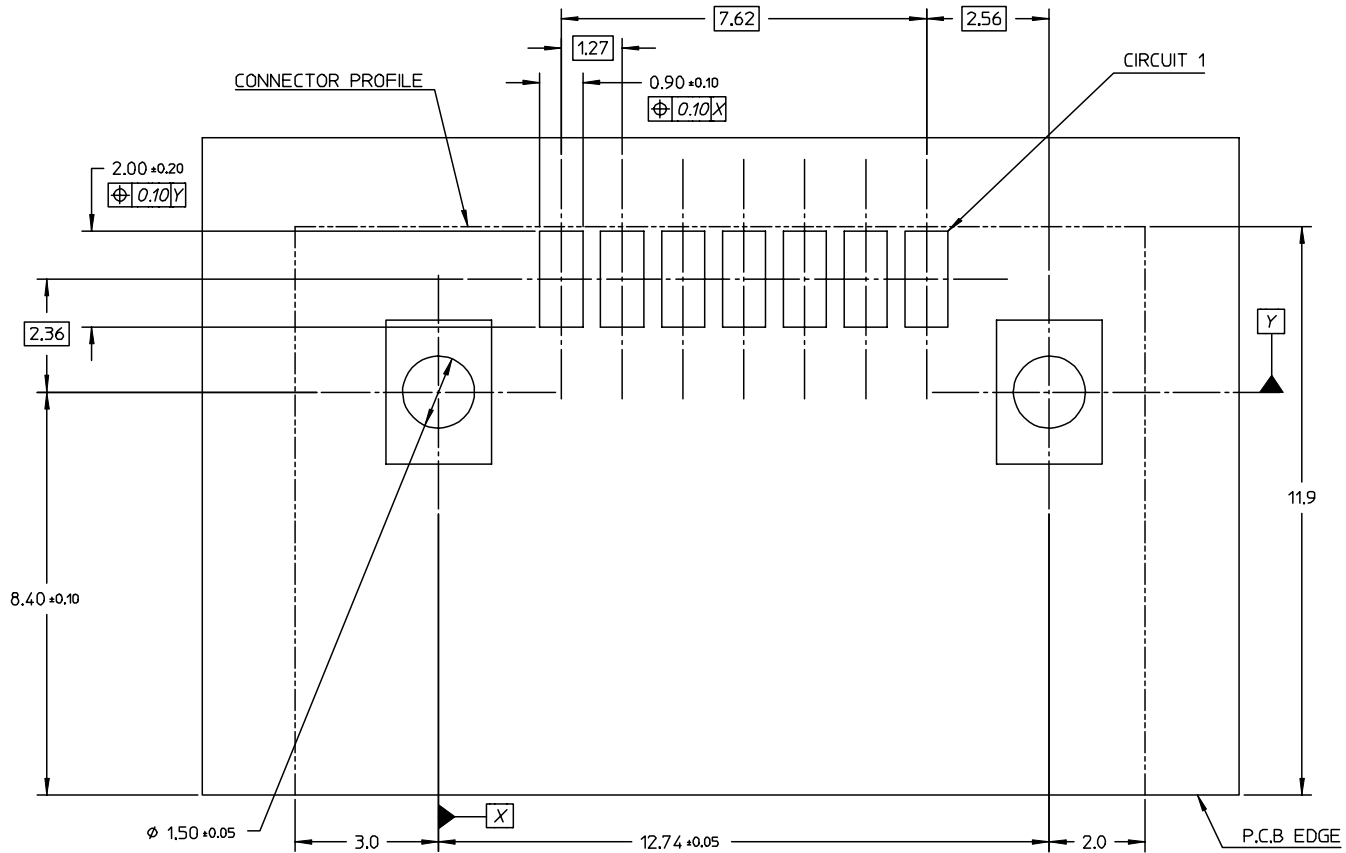
SECTION B-B

SECTION C-C

- NOTES:
- MATERIAL:
HOUSING: HIGH TEMPERATURE PLASTIC, GLASS FILLED, UL94V-0, COLOR: SEE CHART;
TERMINAL/PEG: COPPER ALLOY;
MYLAR: ADHESIVE TAPE.
 - TERMINAL AND PEG PLATING:
CONTACT AREA: GOLD PLATED ON 1.25 MICRONS MINIMUM NICKEL UNDER PLATE;
SOLDER AREA: 1.27 MICRONS TIN-LEAD PLATED ON 1.25 MICRONS MINIMUM NICKEL UNDER PLATE
 - PRODUCT SPECIFICATION REFER TO PS-67490-001
 - MATING PART: 67489.



EC NO: SH2004-0186 DRWN: GRMA 2004/06/17 CHKD: GRMA 2004/06/18 APPR: YTYAP 2004/06/18	QUALITY SYMBOLS ▽ = 0 ▽ = 0	GENERAL TOLERANCES (UNLESS SPECIFIED)		SCALE 1:1	DESIGN UNITS METRIC	THIRD ANGLE PROJECTION	REVISE ON CAD ONLY	
		mm	INCH	DIMENSION STYLE MM ONLY		TITLE		
		4 PLACES ± ---	± ---	DRAWN BY DATE GRATE MA 2004/06/14	SATA SYSTEM PLUG PEG INSERT TYPE WITH SHROUD			
		3 PLACES ± ---	± ---	CHECKED BY DATE GRATE MA 2004/06/14	MOLEX INCORPORATED			
2 PLACES ± 0.15	± ---	ANGULAR ± 1 °		APPROVED BY DATE VINCENT 2004/06/14	MATERIAL NO. SEE TABLE	DOCUMENT NO. SD-47080-001	SHEET NO. 1 OF 2	
1 PLACE ± 0.25	± ---	DRAFT WHERE APPLICABLE		THIS DRAWING CONTAINS INFORMATION THAT IS PROPRIETARY TO MOLEX INCORPORATED AND SHOULD NOT BE USED WITHOUT WRITTEN PERMISSION				
MUST REMAIN WITHIN DIMENSIONS								



RECOMMENDED P.C.B LAYOUT
THICKNESS: 1.60 +/- 0.05

EC NO: SH2004-0186 DRWN: GRMA 2004/06/17 CHKD: GRMA 2004/06/18 APPR: YTYAP 2004/06/18	QUALITY SYMBOLS ▽ = 0 ▽ = 0	GENERAL TOLERANCES (UNLESS SPECIFIED)		SCALE 1:1	DESIGN UNITS METRIC	THIRD ANGLE PROJECTION	REVISE ON CAD ONLY	
			mm	INCH	DIMENSION STYLE MM ONLY		TITLE SATA SYSTEM PLUG PEG INSERT TYPE WITH SHROUD	
		4 PLACES ± --- ± --- 3 PLACES ± --- ± --- 2 PLACES ± 0.15 ± --- 1 PLACE ± 0.25 ± ---	ANGULAR ± 1 °		DRAWN BY DATE GRATE MA 2004/06/14	MOLEX INCORPORATED		
		DRAFT WHERE APPLICABLE MUST REMAIN WITHIN DIMENSIONS		CHECKED BY DATE GRATE MA 2004/06/14	APPROVED BY DATE VINCENT 2004/06/14		MATERIAL NO. SEE SHEET1 DOCUMENT NO. SD-47080-001 SHEET NO. 2 OF 2	
A	REV	THIS DRAWING CONTAINS INFORMATION THAT IS PROPRIETARY TO MOLEX INCORPORATED AND SHOULD NOT BE USED WITHOUT WRITTEN PERMISSION						B