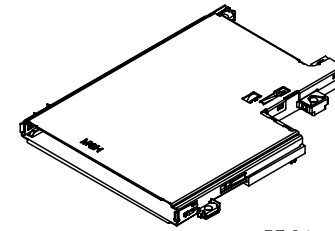
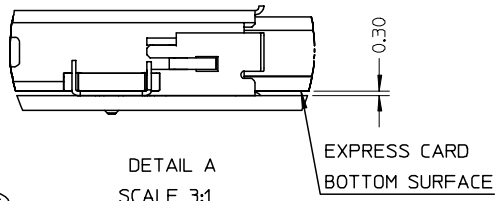
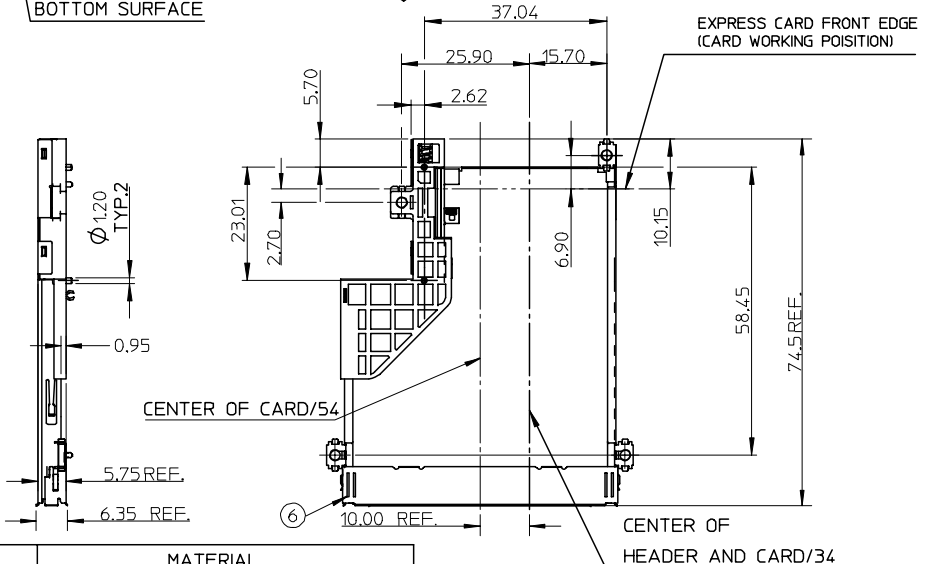
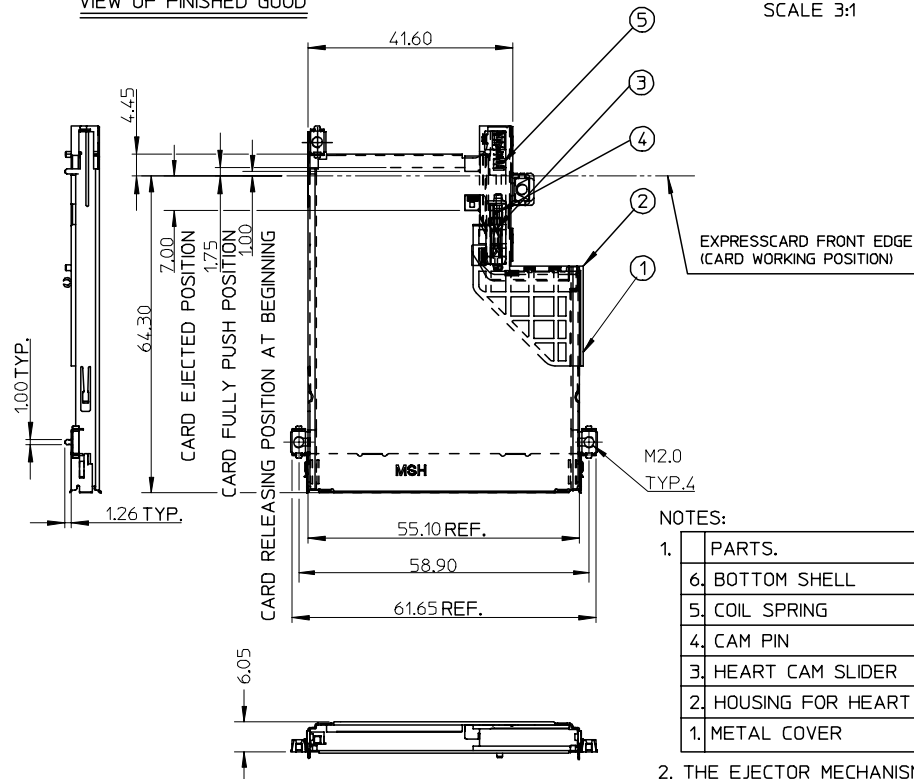


VIEW OF FINISHED GOOD



P/N	DESCRIPTION
47150-0003	W/O BOTTOM SHELL
47150-0004	W BOTTOM SHELL

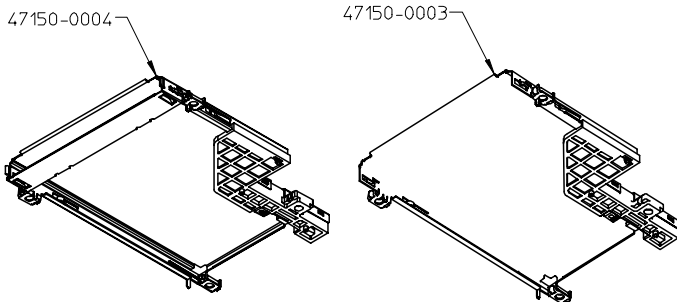


NOTES:

1.	PARTS.	MATERIAL
6.	BOTTOM SHELL	STAINLESS STEEL
5.	COIL SPRING	PIANO WIRE
4.	CAM PIN	STAINLESS STEEL
3.	HEART CAM SLIDER	HIGH TEMPERATURE THERMOPLASTIC
2.	HOUSING FOR HEART CAM	HIGH TEMPERATURE THERMOPLASTIC
1.	METAL COVER	STAINLESS STEEL

- THE EJECTOR MECHANISM TO BE ASSEMBLED BASES ON 34 CARD CENTER LINE.
- PRODUCT SPEC. REFERS TO PS-47202-001

- APPLICABLE HEADER: 47150-0002
- WHEN DELIVERING, THE HEART CAM SLIDER IS IN THE STATE OF THE SPRING RELEASED. (CARD EJECTED OUT POSITION).
- SLOT DESIGN BASED ON EXPRESS CARD ASSOC. REV.A.
- EXPRESSCARD SLOT TO BE COMPATIBLE BOTH EXPRESSCARD/34 AND /54.



<p>NEW RELEASE</p> <p>EC NO: SH2006-0040</p> <p>DRWN: LBAO 2005/07/25</p> <p>CHKD: 2005/07/26</p> <p>APPR: YTYAP 2005/07/26</p>	<p>QUALITY SYMBOLS</p> <p>▽=0</p> <p>∇=0</p>	<p>GENERAL TOLERANCES (UNLESS SPECIFIED)</p>		<p>DIMENSION STYLE</p> <p>MM ONLY</p>	<p>SCALE</p> <p>1:1</p>	<p>DESIGN UNITS</p> <p>METRIC</p>	<p>THIRD ANGLE PROJECTION</p>		
		<p>4 PLACES ± --- ± ---</p> <p>3 PLACES ± --- ± ---</p> <p>2 PLACES ± 0.25 ± ---</p> <p>1 PLACE ± 0.25 ± ---</p>	<p>mm</p> <p>INCH</p>	<p>DRAWN BY</p> <p>R. BIAN</p>	<p>DATE</p> <p>2004/11/24</p>	<p>TITLE</p> <p>EXPRESSCARD SLOT WITH PUSH-PUSH MECHANISM TOP MOUNT</p>			
		<p>ANGULAR ± 3 °</p>		<p>APPROVED BY</p>	<p>DATE</p>	<p>MOLEX MOLEX INCORPORATED</p>			
		<p>DRAFT WHERE APPLICABLE MUST REMAIN WITHIN DIMENSIONS</p>		<p>MATERIAL NO.</p> <p>SEE TABLE</p>	<p>DOCUMENT NO.</p> <p>SD-47150-001</p>	<p>SHEET NO.</p> <p>1 OF 4</p>			

10 9 8 7 6 5 4 3 2 1

F

F

E

E

D

D

C

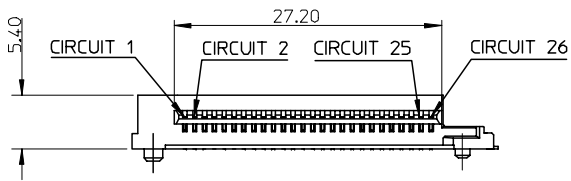
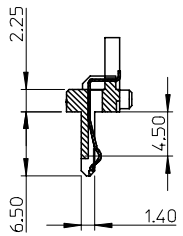
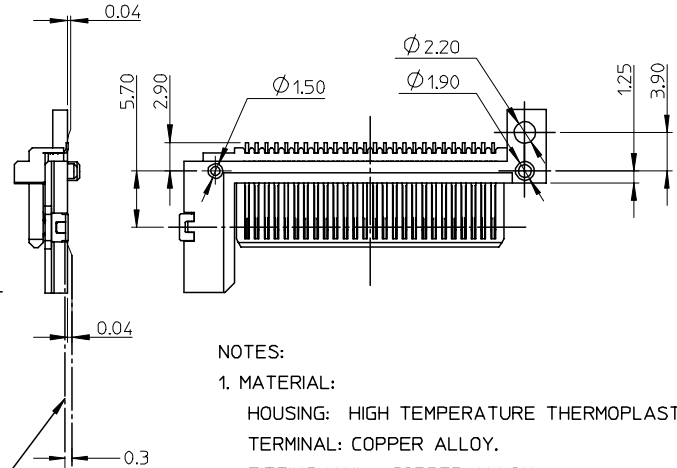
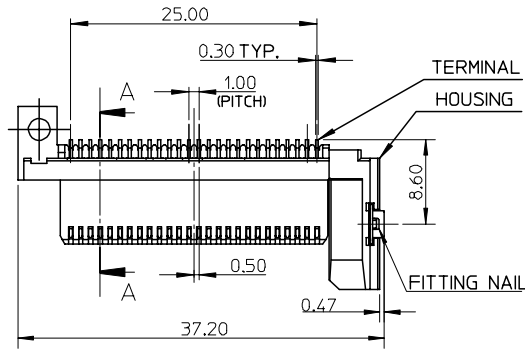
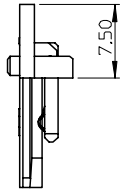
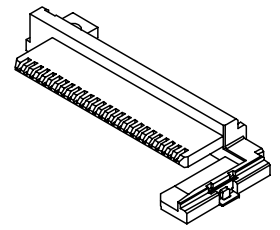
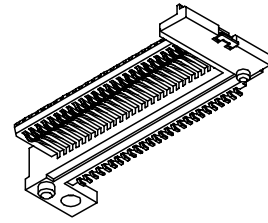
C

B

B

A

A



EXPRESS CARD  
BOTTOM SURFACE

NOTES:

1. MATERIAL:

HOUSING: HIGH TEMPERATURE THERMOPLASTIC  
TERMINAL: COPPER ALLOY.  
FITTING NAIL : COPPER ALLOY.

2. FINISH:

TERMINAL: SELECTIVE GOLD(AU) IN CONTACT AREA.  
THICKNESS: 0.3 MICROMETER MIN  
SELECTIVE PURE TIN IN SOLDER TAIL AREA.  
THICKNESS: 3 MICROMETER MIN  
UNDERPLATING : NICKEL(NI) OVERALL

3.COPLANARITY AT SOLDER TAIL TO BE 0.1mm MAX.

4.PRODUCT SPEC. REFERS TO PS-47202-001

5.APPLICABLE EXPRESS CARD SLOT: 47150-0003/47150-0004

SECTION A-A

NEW RELEASE  
EC NO: SH2006-0040  
DRWN: LBAO 2005/07/25  
CHKD: 2005/07/26  
APPR: YTYAP 2005/07/26

QUALITY SYMBOLS	DESCRIPTION
▽=0	
∇=0	

GENERAL TOLERANCES (UNLESS SPECIFIED)	
mm	INCH
4 PLACES ± ---	± ---
3 PLACES ± ---	± ---
2 PLACES ± 0.25	± ---
1 PLACE ± 0.25	± ---
ANGULAR ± 3 °	
DRAFT WHERE APPLICABLE MUST REMAIN WITHIN DIMENSIONS	

DIMENSION STYLE	
MM ONLY	
DRAWN BY	DATE
R. BIAN	2004/11/24
CHECKED BY	DATE
APPROVED BY	DATE
MATERIAL NO.	47150-0002

SCALE	DESIGN UNITS	THIRD ANGLE PROJECTION	
2:1	METRIC		
TITLE			
EXPRESSCARD SLOT WITH PUSH-PUSH MECHANISM TOP MOUNT			
molex MOLEX INCORPORATED			
DOCUMENT NO.		SHEET NO.	
SD-47150-001		2 OF 4	
SIZE A3 THIS DRAWING CONTAINS INFORMATION THAT IS PROPRIETARY TO MOLEX INCORPORATED AND SHOULD NOT BE USED WITHOUT WRITTEN PERMISSION			

9 8 7 6 5 4 3 2 1

10 9 8 7 6 5 4 3 2 1

F

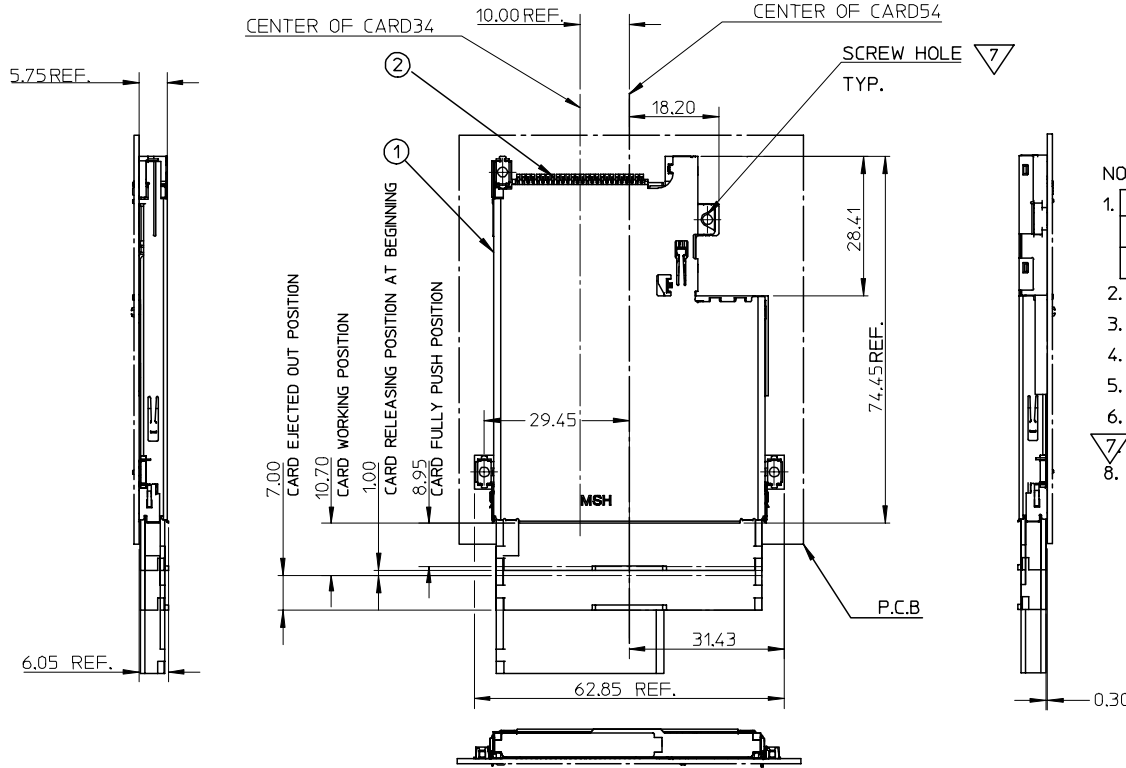
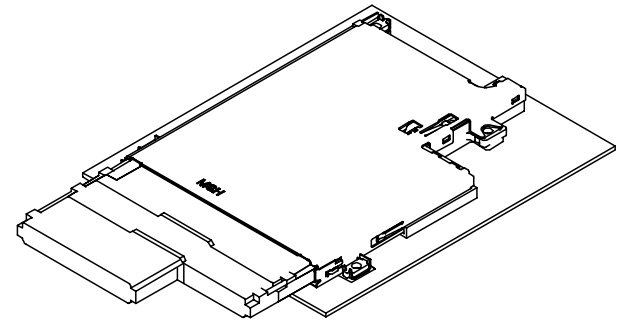
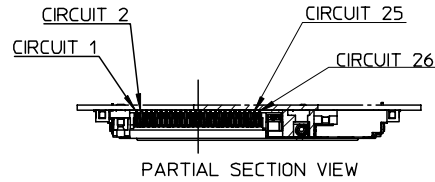
E

D

C

B

A



NOTES:

- | 1. NO. | DRAWING     | MATERIAL NO.          | DESCRIPTION       |
|--------|-------------|-----------------------|-------------------|
| 1      | SEE SHEET 1 | 47150-0003/47150-0004 | EJECTOR MECHANISM |
| 2      | SEE SHEET 2 | 47150-0002            | CARD HEADER       |
- P.C.B LAYOUT REFERS TO SHEET 4.
  - COPLANRTY OF HEADER FOR SMT SOLDER TAIL TO BE 0.1mm MAX
  - PRODUCT SPEC. REFERS TO PS-47202-001.
  - SCREW FASTENING TORQUE: 2kgf-cm.
  - TRUE POSITION IS 0.15mm MAX BETWEEN SOLDER TAILS.
  - 7 USING M2 SCREW AND NUT TO FIX
  - NON-REFLOW PROCESS FOR CARD SLOT

NEW RELEASE  
 EC NO: SH2006-0040  
 DRWN: LBAO 2005/07/25  
 CHKD: 2005/07/26  
 APPR: YIYAP 2005/07/26

REV	DESCRIPTION
1	QUALITY SYMBOLS
2	QUALITY SYMBOLS

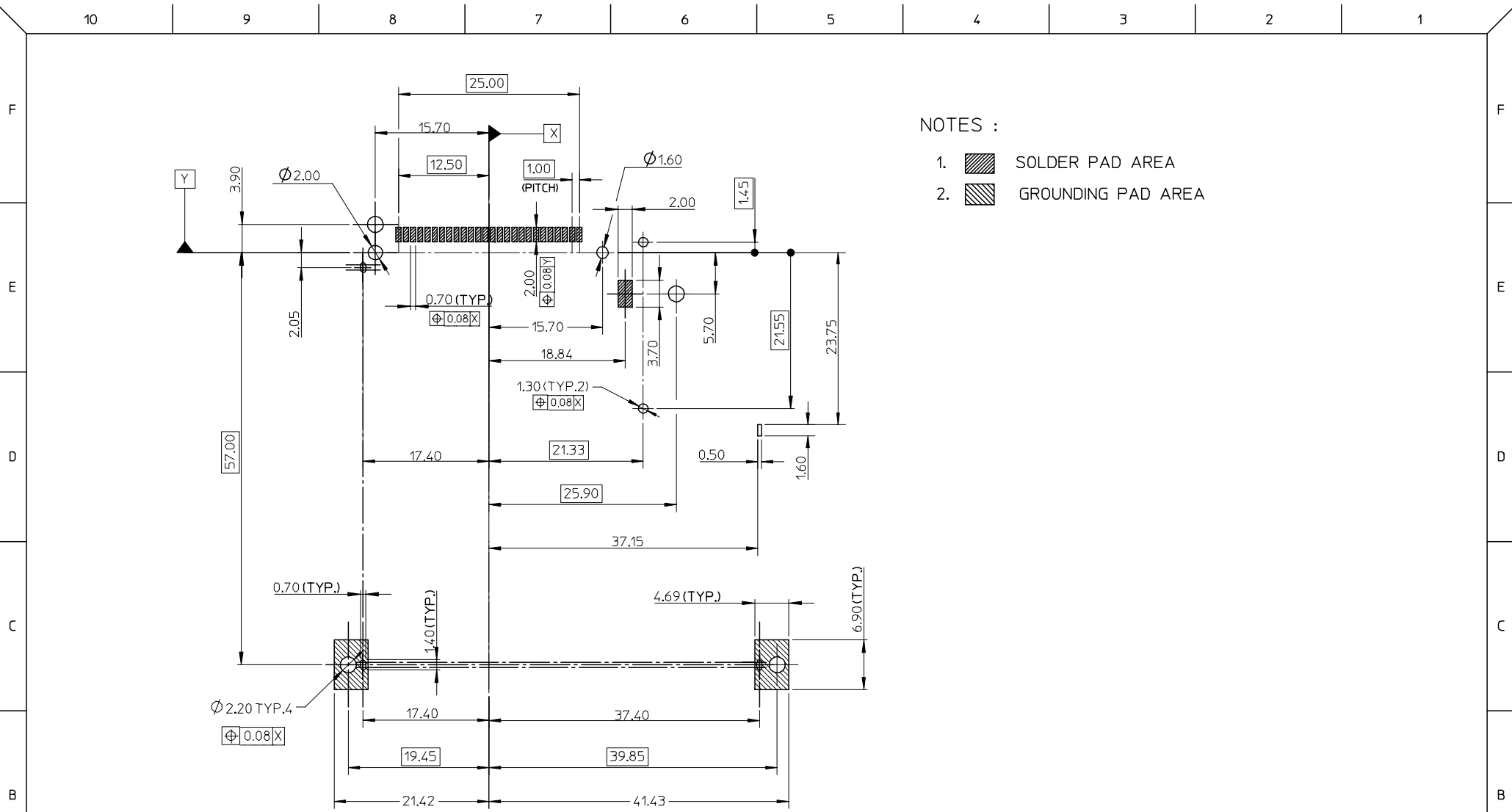
GENERAL TOLERANCES (UNLESS SPECIFIED)	
PLACES	TOLERANCE
4 PLACES	± 0.15
3 PLACES	± 0.20
2 PLACES	± 0.25
1 PLACE	± 0.30
ANGULAR ± 3°	

DRAFT WHERE APPLICABLE  
 MUST REMAIN WITHIN DIMENSIONS

DIMENSION STYLE	
MM ONLY	
DRAWN BY	DATE
R. BIAN	2004/11/24
CHECKED BY	DATE
APPROVED BY	DATE
MATERIAL NO.	N/A

SCALE	DESIGN UNITS	THIRD ANGLE PROJECTION
2:1	METRIC	THIRD ANGLE PROJECTION
TITLE		
EXPRESSCARD SLOT WITH PUSH-PUSH MECHANISM TOP MOUNT		
MOLEX INCORPORATED		
DOCUMENT NO.	SHEET NO.	
SD-47150-001	3 OF 4	

9 8 7 6 5 4 3 2 1



NOTES :

- 1. SOLDER PAD AREA
- 2. GROUNDING PAD AREA

NEW RELEASE EC NO: SH2006-0040 DRWN: LBAO CHKD: APPR: YIYAP	2005/07/25 2005/07/26 2005/07/26	QUALITY SYMBOLS	GENERAL TOLERANCES (UNLESS SPECIFIED)	DIMENSION STYLE	SCALE	DESIGN UNITS	THIRD ANGLE PROJECTION																		
		$\nabla = 0$ $\sphericalangle = 0$	<table border="1"> <thead> <tr> <th></th> <th>mm</th> <th>INCH</th> </tr> </thead> <tbody> <tr> <td>4 PLACES</td> <td>± ---</td> <td>± ---</td> </tr> <tr> <td>3 PLACES</td> <td>± ---</td> <td>± ---</td> </tr> <tr> <td>2 PLACES</td> <td>± 0.25</td> <td>±</td> </tr> <tr> <td>1 PLACE</td> <td>± 0.25</td> <td>±</td> </tr> </tbody> </table>		mm	INCH	4 PLACES	± ---	± ---	3 PLACES	± ---	± ---	2 PLACES	± 0.25	±	1 PLACE	± 0.25	±	MM ONLY	1:1	METRIC				
			mm	INCH																					
		4 PLACES	± ---	± ---																					
3 PLACES	± ---	± ---																							
2 PLACES	± 0.25	±																							
1 PLACE	± 0.25	±																							
DESCRIPTION	<table border="1"> <thead> <tr> <th>REV</th> <th>DESCRIPTION</th> </tr> </thead> <tbody> <tr> <td>B</td> <td></td> </tr> </tbody> </table>	REV	DESCRIPTION	B		<table border="1"> <thead> <tr> <th>DRAWN BY</th> <th>DATE</th> <th>TITLE</th> </tr> </thead> <tbody> <tr> <td>R. BIAN</td> <td>2004/11/24</td> <td>EXPRESSCARD SLOT WITH PUSH-PUSH MECHANISM TOP MOUNT</td> </tr> <tr> <th>CHECKED BY</th> <th>DATE</th> <td></td> </tr> <tr> <td></td> <td></td> <td></td> </tr> <tr> <th>APPROVED BY</th> <th>DATE</th> <td></td> </tr> <tr> <td></td> <td></td> <td></td> </tr> </tbody> </table>	DRAWN BY	DATE	TITLE	R. BIAN	2004/11/24	EXPRESSCARD SLOT WITH PUSH-PUSH MECHANISM TOP MOUNT	CHECKED BY	DATE					APPROVED BY	DATE					MOLEX INCORPORATED
REV	DESCRIPTION																								
B																									
DRAWN BY	DATE	TITLE																							
R. BIAN	2004/11/24	EXPRESSCARD SLOT WITH PUSH-PUSH MECHANISM TOP MOUNT																							
CHECKED BY	DATE																								
APPROVED BY	DATE																								
		DRAFT WHERE APPLICABLE MUST REMAIN WITHIN DIMENSIONS	MATERIAL NO. N/A	DOCUMENT NO. SD-47150-001	SHEET NO. 4 OF 4																				

# Mouser Electronics

Authorized Distributor

Click to View Pricing, Inventory, Delivery & Lifecycle Information:

[Molex:](#)

[47150-0003](#)