

10 9 8 7 6 5 4 3 2 1

F

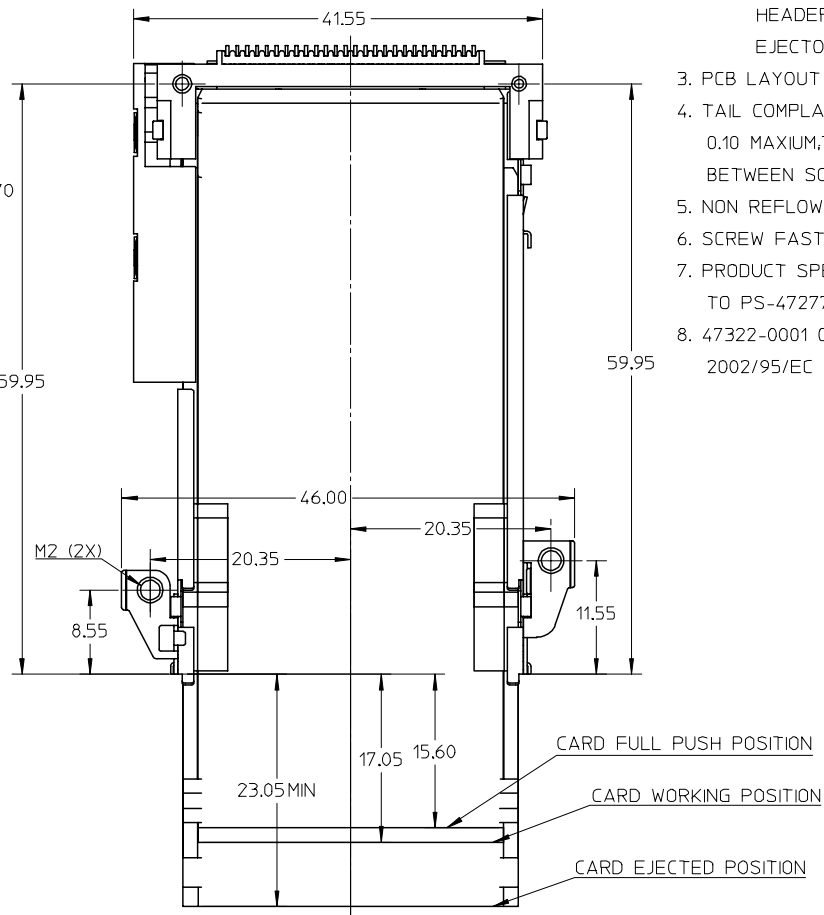
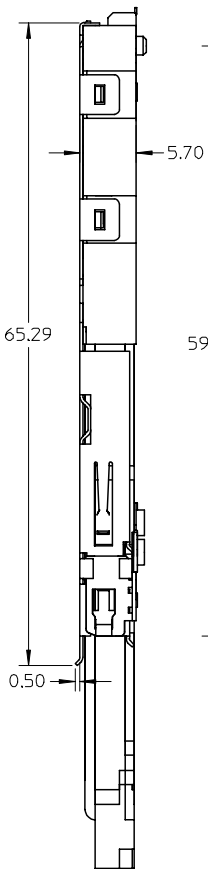
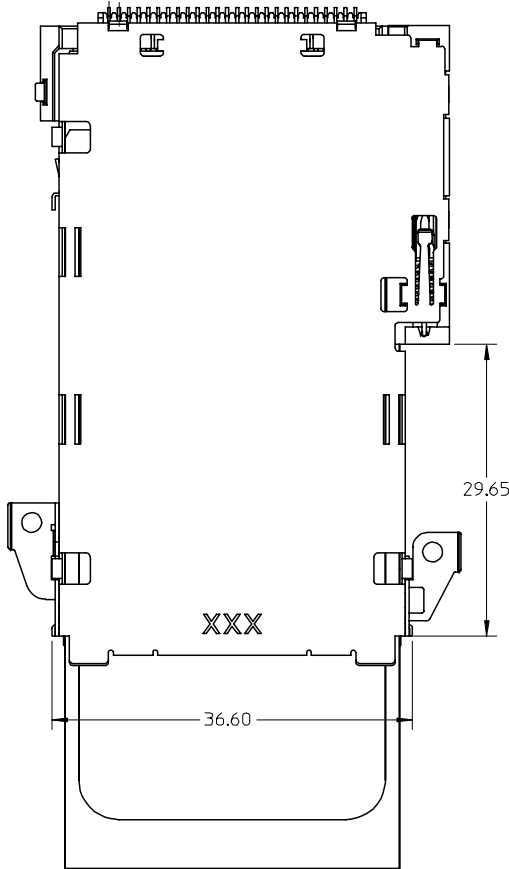
E

D

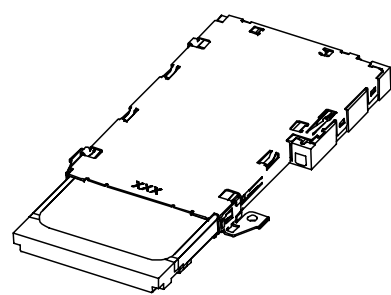
C

B

A



- NOTES:
- CONNECTOR DESIGN BASED ON EXPRESSCARD STANDARD;
 - COMPONENTS:
 HEADER: SHEET 2
 EJECTOR: SHEET 3
 - PCB LAYOUT PLEASE REFER TO SHEET 4,
 - TAIL COMPLANARITY OF HEADER TO BE 0.10 MAXIMUM, TRUE POSITION IS 0.15 MAXIMUM BETWEEN SOLDER TAILS,
 - NON REFLOW PROCESS FOR EJECTOR.
 - SCREW FASTENING TORQUE: 1.0 KGF-CM,
 - PRODUCT SPECIFICATION PLEASE REFER TO PS-47277-001.
 - 47322-0001 COMPLIANT TO RoHS DIRECTIVE 2002/95/EC AND ELV DIRECTIVE 2000/53/EC.

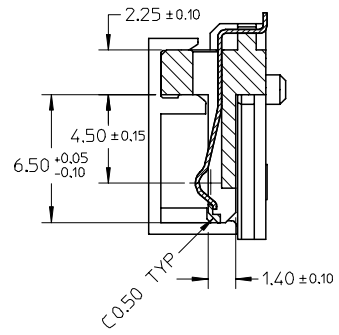
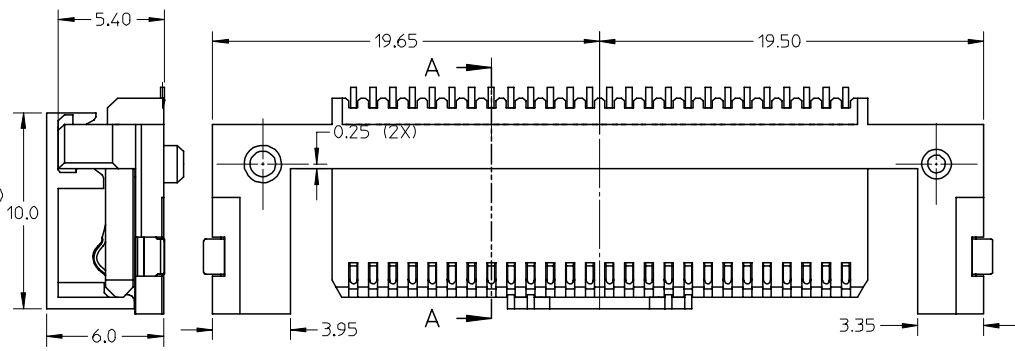
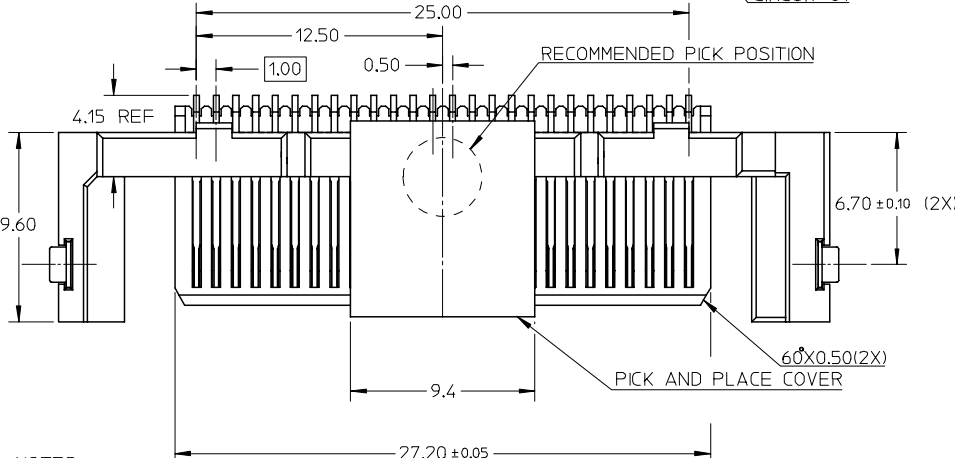
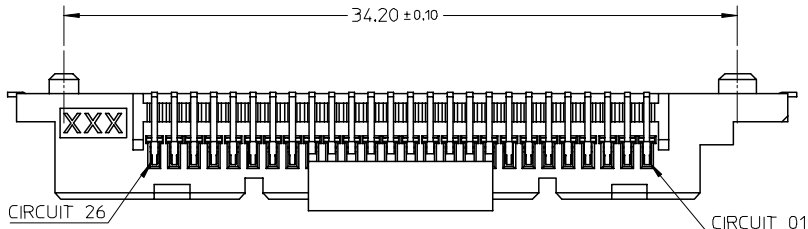


EC NO: SH2007-0352	2006/11/17	2006/11/28
DRWN: OCHEN	2006/11/17	2006/11/28
CHKD: HARVEY	2006/11/22	
APPR: JNCHEN	2006/11/28	
REV	DESCRIPTION	
A1		

QUALITY SYMBOLS	▽=0		
	▽C=0		
GENERAL TOLERANCES (UNLESS SPECIFIED)	4 PLACES	± ---	± ---
	3 PLACES	± ---	± ---
	2 PLACES	± 0.25	± ---
	1 PLACE	± 0.30	± ---
	ANGULAR ± 3 °		
DRAFT WHERE APPLICABLE MUST REMAIN WITHIN DIMENSIONS			

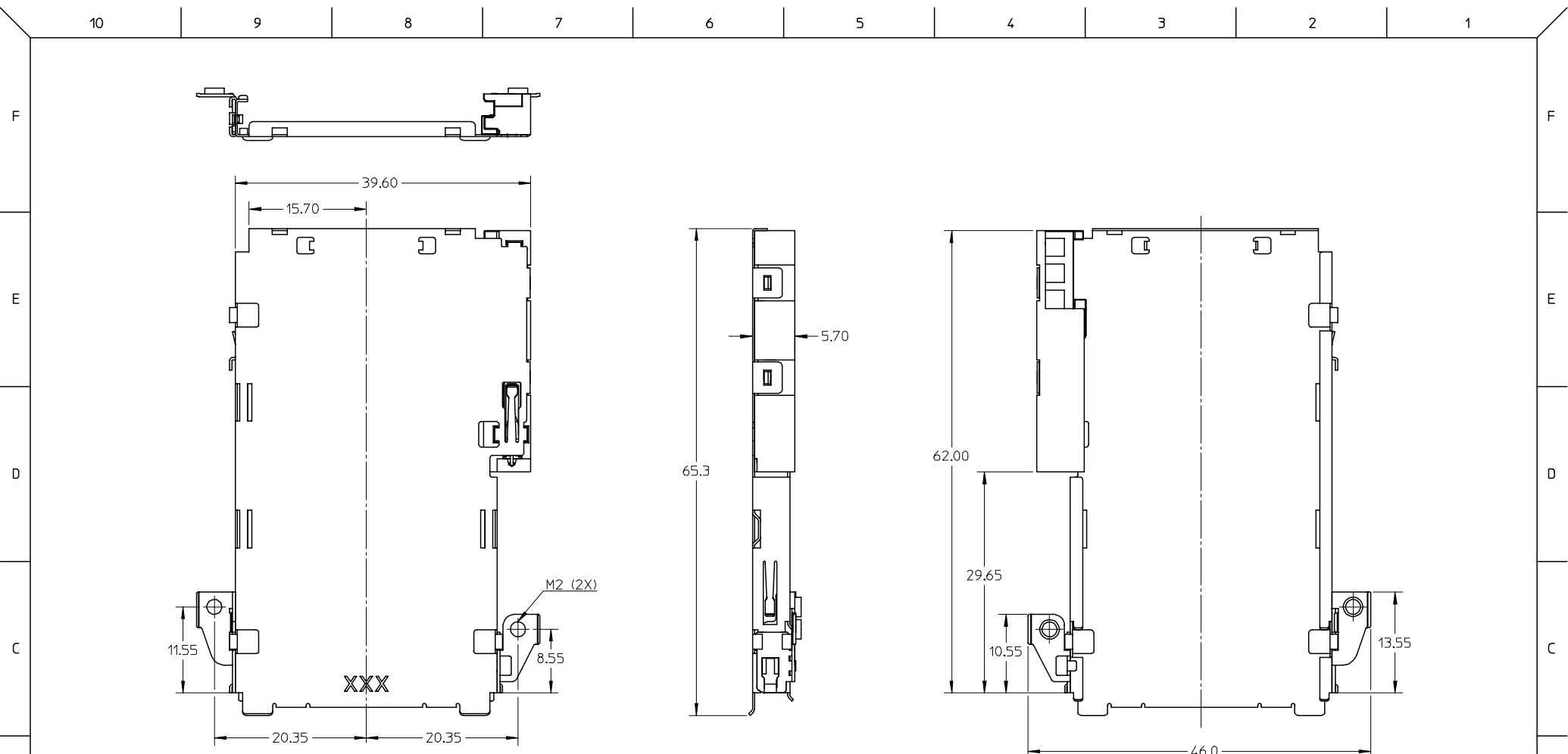
DIMENSION STYLE		SCALE	DESIGN UNITS	THIRD ANGLE PROJECTION
MM ONLY		NTS	METRIC	
DRAWN BY	DATE	TITLE		
R. BIAN	2005/05/20	EXPRESSCARD 34MM		
CHECKED BY	DATE	BOTTOM MOUNT		
HARVEY	2006/04/18	PUSH-PUSH TYPE		
APPROVED BY	DATE	MOLEX INCORPORATED		
JENNY	2006/04/18			
MATERIAL NO.	DOCUMENT NO.	SHEET NO.		
47322-0001	SD-47322-001	1 OF 4		
SIZE	THIS DRAWING CONTAINS INFORMATION THAT IS PROPRIETARY TO MOLEX INCORPORATED AND SHOULD NOT BE USED WITHOUT WRITTEN PERMISSION			
A3				

9 8 7 6 5 4 3 2 1



- NOTES:
- CONNECTOR DESIGN BASED ON EXPRESSCARD STANDARD;
 - MATERIAL:
 - HOUSING: LIQUID CRYSTAL POLYMER,
 - TERMINAL: PHOSPHOR BRONZE,
 - FITTING-NAIL: PHOSPHOR BRONZE,
 - PICK AND PLACE COVER: NYLON 46,
 - FINISH:
 - TERMINAL:
 - UNDERPLATING: Ni OVERALL,
 - SELECTIVE GOLD ON CONTACT AREA,
 - THICKNESS: 15 MICRINCH MINIMUM,
 - SELECTIVE PURE TIN ON SOLDER TAIL AREA,
 - THICKNESS: 40-100 MICRINCH,
 - COPLANARITY AT SOLDER TAIL TO BE 0.10 MAXIMUM;
 - APPLICABLE CARD SLOT PLEASE REFER TO SHEET 3
 - PRODUCT SPECIFICATION PLEASE REFER TO PS-47277-001
 - 47322-0002 COMPLIANT TO RoHS DIRECTIVE 2002/95/EC AND ELV DIRECTIVE 2000/53/EC.

EC NO: SH2007-0352 DRWN: OCHEN 2006/11/17 CHKD: HARVEY 2006/11/22 APPR: JNCHEN 2006/11/28	QUALITY SYMBOLS	GENERAL TOLERANCES (UNLESS SPECIFIED) mm INCH 4 PLACES ± --- ± --- 3 PLACES ± --- ± --- 2 PLACES ± 0.25 ± --- 1 PLACE ± 0.30 ± --- ANGULAR ± 3 °	DIMENSION STYLE	SCALE	DESIGN UNITS	THIRD ANGLE PROJECTION
	DESCRIPTION		MM ONLY	NTS	METRIC	
A1	REV	DRAFT WHERE APPLICABLE MUST REMAIN WITHIN DIMENSIONS	DRAWN BY	DATE	EXPRESSCARD 34MM BOTTOM MOUNT PUSH-PUSH TYPE	
			R. BIAN	2005/05/20		
			CHECKED BY	DATE	MOLEX INCORPORATED	
			HARVEY	2006/04/18		
			APPROVED BY	DATE	MOLEX INCORPORATED	
			JENNY	2006/04/18		
			MATERIAL NO.	DOCUMENT NO.	SHEET NO. 2 OF 4	
			47322-0002	SD-47322-001		
			SIZE	THIS DRAWING CONTAINS INFORMATION THAT IS PROPRIETARY TO MOLEX INCORPORATED AND SHOULD NOT BE USED WITHOUT WRITTEN PERMISSION		
			A3			



NOTES:

1. CONNECTOR DESIGN BASED ON EXPRESSCARD STANDARD;
2. THIS SLOT CAN ACCEPT ONLY 34MM EXPRESSCARD;
3. WHEN DELIVERING, THE CAM SLIDER MUST KEEP RELEASE STATUS;
4. PRODUCT SPEC PLEASE REFER TO PS-47277-001;
5. MATERIAL:

COIL SPRING: PIANO STEEL
 EJECTOR HOUSING: NYLON 46
 HOUSING SLOT: NYLON 46
 SHELL: STAINLESS STEEL
 CAM PIN: STAINLESS STEEL

6. 47322-0003 COMPLIANT TO RoHS DIRECTIVE 2002/95/EC AND ELV DIRECTIVE 2000/53/EC.

EC NO: SH2007-0352 DRWN: OCHEN 2006/11/17 CHKD: HARVEY 2006/11/22 APPR: INCHEM 2006/11/28	QUALITY SYMBOLS ▽=0 ◻=0	GENERAL TOLERANCES (UNLESS SPECIFIED)		DIMENSION STYLE MM ONLY		SCALE NTS	DESIGN UNITS METRIC	THIRD ANGLE PROJECTION	
		4 PLACES ± --- ± --- 3 PLACES ± --- ± --- 2 PLACES ± 0.25 ± --- 1 PLACE ± 0.30 ± --- ANGULAR ± 3 °	mm INCH ± --- ± --- ± 0.25 ± --- ± 0.30 ± --- ± 3 °	DRAWN BY R. BIAN	DATE 2005/05/20	TITLE EXPRESSCARD 34MM BOTTOM MOUNT PUSH-PUSH TYPE		MOLEX INCORPORATED	
A1	REV	DRAFT WHERE APPLICABLE MUST REMAIN WITHIN DIMENSIONS		APPROVED BY JENNY	DATE 2006/04/18	MATERIAL NO. 47322-0003	DOCUMENT NO. SD-47322-001	SHEET NO. 3 OF 4	
THIS DRAWING CONTAINS INFORMATION THAT IS PROPRIETARY TO MOLEX INCORPORATED AND SHOULD NOT BE USED WITHOUT WRITTEN PERMISSION									

10 9 8 7 6 5 4 3 2 1

F

E

D

C

B

A

F

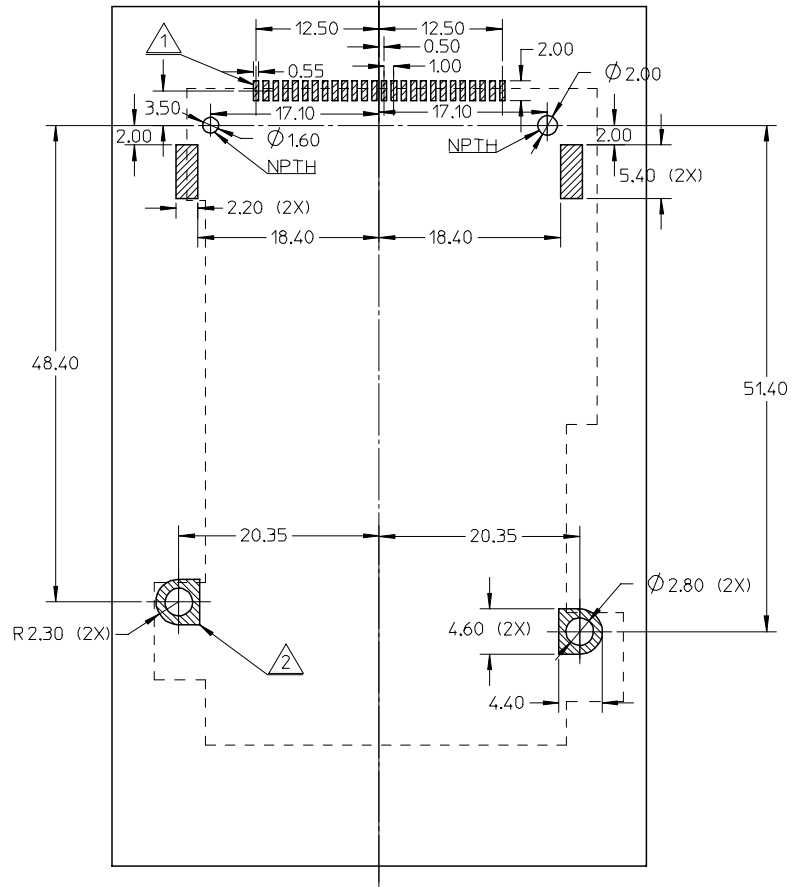
E

D

C

B

A



NOTES:

- 1. SOLDER PAD AREA
- 2. GROUNDING PAD AREA

RECOMMENDED PCB LAYOUT
COMPONENT SIDE

EC NO: SH2007-0352 DRWN: OCHEN 2006/11/17 CHKD: HARVEY 2006/11/22 APPR: JNCHEN 2006/11/28	QUALITY SYMBOLS ▽=0 ▽C=0	GENERAL TOLERANCES (UNLESS SPECIFIED)		DIMENSION STYLE MM ONLY		SCALE NTS	DESIGN UNITS METRIC	THIRD ANGLE PROJECTION		
			mm	INCH	DRAWN BY R. BIAN	DATE 2005/05/20	TITLE EXPRESSCARD 34MM BOTTOM MOUNT PUSH-PUSH TYPE			
		4 PLACES	± ---	± ---	CHECKED BY HARVEY	DATE 2006/04/18				
		3 PLACES	± ---	± ---	APPROVED BY JENNY	DATE 2006/04/18	MOLEX INCORPORATED MATERIAL NO. N/A DOCUMENT NO. SD-47322-001 SHEET NO. 4 OF 4			
2 PLACES	± 0.05	± ---	DRAFT WHERE APPLICABLE MUST REMAIN WITHIN DIMENSIONS							
1 PLACE	±	± ---			SIZE A3		THIS DRAWING CONTAINS INFORMATION THAT IS PROPRIETARY TO MOLEX INCORPORATED AND SHOULD NOT BE USED WITHOUT WRITTEN PERMISSION			
A1	REV									

9 8 7 6 5 4 3 2 1

Mouser Electronics

Authorized Distributor

Click to View Pricing, Inventory, Delivery & Lifecycle Information:

[Molex:](#)

[47322-0002](#) [47322-0003](#) [47322-0323](#)