

RECOMMENDED PCB PATTERN LAYOUT
CONNECTOR SIDE

NOTES:

- 1.COPLANARITY OF TERMINAL AND NAIL:0.1 MAXIMUM.
- 2.WHEN DELIVERY, THE PUSH/PUSH MECHANISM IS IN THE STATE OF UNLOCK.
- 3.WHEN DELIVERY, THE DETECT TERMINAL IS IN THE STATE OF CLOSE.
- 4.PRODUCT SPECIFICATION REFER TO PS-48050-001.
- 5.PACKAGE SPECIFICATION REFER TO PK-48050-001.

POSITION OF CARD	DETECT TERMINAL
DASHING	CLOSE
LOCK	OPEN
FULL STROKE	OPEN

NO.	DESCRIPTION	QTY	MATERIAL
9	FITTING NAIL	2	COPPER ALLOY, OVERALL: TIN(Sn) PLATING
8	SWITCH	1	COPPER ALLOY, CONTACT AREA:GOLD PLATING
7	DETECT PIN	1	COPPER ALLOY, CONTACT AREA:GOLD PLATING
6	COIL SPRING	1	PIANO WIRE
5	CAM PIN	1	STAINLESS STEEL
4	CAM SLIDER	1	HEAT RESISTANCE POLYMER, UL94V0, BLACK
3	TERMINALS	1	COPPER ALLOY, CONTACT AREA:GOLD PLATING
2	METAL SHELL	1	STAINLESS STEEL
1	HOUSING	1	HEAT RESISTANCE POLYMER, UL94V0, BLACK
	DESCRIPTION	QTY	MATERIAL

PIN NO	PIN NAME(SD MODE)
1	CD/DAT3
2	CMD
3	VSS1
4	VDD
5	CLK
6	VSS2
7	DAT2
8	DAT1
9	DAT2
10	NC(FOR FUTURE USE)
11	NC(FOR FUTURE USE)

DIM'A'	REMARK
2.03	WITHOUT CARD
2.10	WITH CARD INSERTION (ONLY FOR AREA OF 'S')

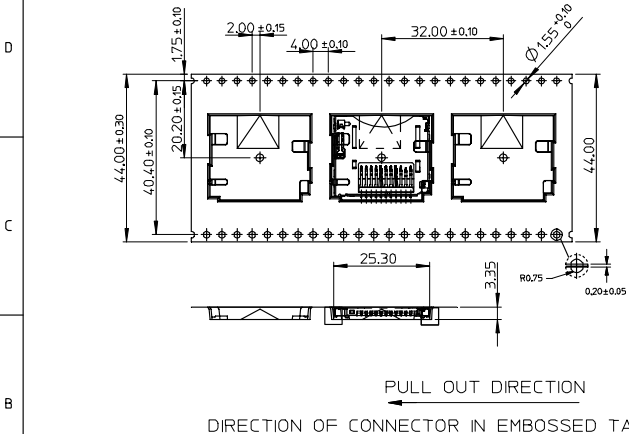
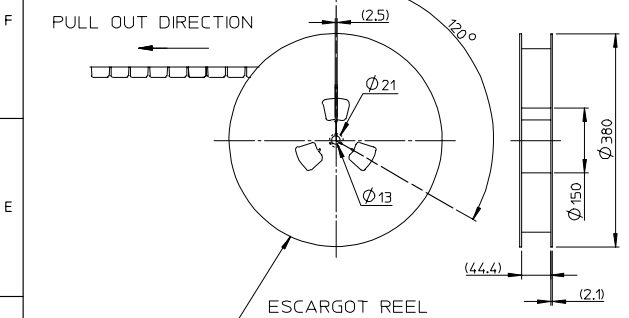
REVISE	QUALITY SYMBOLS
EC NO. SH2006-0214	▽=0
2005/12/12	▽=0
DRW:GLLI	
CHKD: 2006/01/03	
APPR:GRMA	
2006/01/05	

GENERAL TOLERANCES (UNLESS SPECIFIED)	
	MM ONLY
4 PLACES	± ---
3 PLACES	± ---
2 PLACES	± 0.15
1 PLACE	± 0.25
ANGULAR ±1/2°	

DIMENSION STYLE	
MM ONLY	
DRAWN BY	DATE
DIXON LI	2005/10/18
CHECKED BY	DATE
GRATE MA	2005/10/18
APPROVED BY	DATE
GARY CHEN	2005/10/18
MATERIAL NO.	
48050-0001	

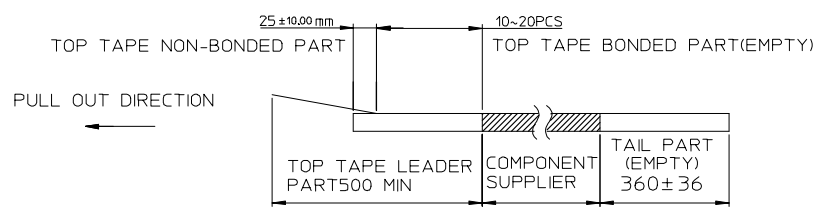
SCALE	DESIGN UNITS	THIRD ANGLE
2:1	METRIC	PROJECTION
SALES DRAWING MINI SD CONNECTOR -LEAD FREE-		
MOLEX INCORPORATED		
DOCUMENT NO.	SHEET NO.	
SD-48050-001	1 OF 2	
THIS DRAWING CONTAINS INFORMATION THAT IS PROPRIETARY TO MOLEX INCORPORATED AND SHOULD NOT BE USED WITHOUT WRITTEN PERMISSION		

10 9 8 7 6 5 4 3 2 1

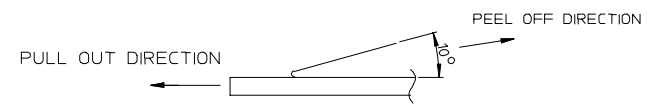


NOTES

1. NUMBER OF CONNECTORS: 250 PCS/REEL
- 2.



3. PEEL OFF FORCE OF TOP TAPE: 0.1~1.3 N (10.2~130gf)
PEELING DIRECTION AS SHOWN IN FOLLOWING FIG.
(PEEL OFF SPEED: 300mm/min.REF.)

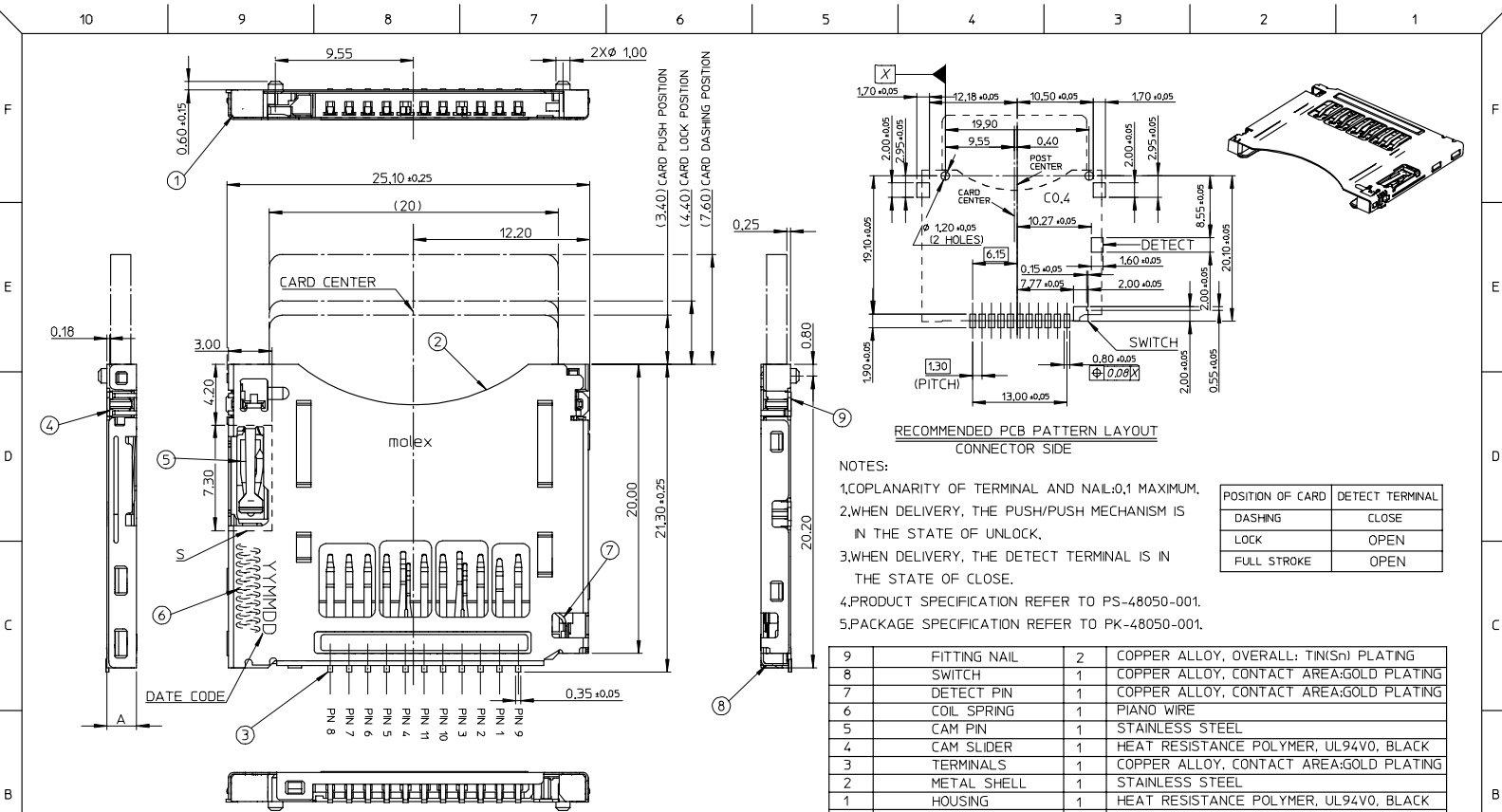


4. PACKAGING DRAWING REFERS TO PK-48141-001.

PULL OUT DIRECTION
DIRECTION OF CONNECTOR IN EMBOSSED TAPE

SH:REVISE EC NO: SH2006-0214 DRAWING: LI CHKD: CHIKO APPR: GRMA 2005/12/17 2006/01/03 2006/01/05	QUALITY SYMBOLS	GENERAL TOLERANCES (UNLESS SPECIFIED)	DIMENSION STYLE	SCALE	DESIGN UNITS	THIRD ANGLE PROJECTION
	▽=0 ▽=0	mm INCH 4 PLACES ± --- ± --- 3 PLACES ± --- ± --- 2 PLACES ± 0.15 ± --- 1 PLACE ± 0.25 ± --- ANGULAR ±1/2°	MM ONLY		METRIC	
		DRAFT WHERE APPLICABLE MUST REMAIN WITHIN DIMENSIONS	DRAWN BY: DIXON LI CHECKED BY: GRATE MA APPROVED BY: GARY CHEN DATE: 2005/10/18 DATE: 2005/10/18 DATE: 2005/10/18	TITLE	SALES DRAWING MINI SD CONNECTOR -LEAD FREE-	
			MATERIAL NO. 48050-0001	MOLEX INCORPORATED DOCUMENT NO. SD-48050-001	SHEET NO. 2 OF 2	

9 8 7 6 5 4 3 2 1



- NOTES:
1. COPLANARITY OF TERMINAL AND NAIL: 0.1 MAXIMUM.
 2. WHEN DELIVERY, THE PUSH/PUSH MECHANISM IS IN THE STATE OF UNLOCK.
 3. WHEN DELIVERY, THE DETECT TERMINAL IS IN THE STATE OF CLOSE.
 4. PRODUCT SPECIFICATION REFER TO PS-48050-001.
 5. PACKAGE SPECIFICATION REFER TO PK-48050-001.

POSITION OF CARD	DETECT TERMINAL
DASHING	CLOSE
LOCK	OPEN
FULL STROKE	OPEN

NO.	DESCRIPTION	QTY	MATERIAL
9	FITTING NAIL	2	COPPER ALLOY, OVERALL: TIN(Sn) PLATING
8	SWITCH	1	COPPER ALLOY, CONTACT AREA: GOLD PLATING
7	DETECT PIN	1	COPPER ALLOY, CONTACT AREA: GOLD PLATING
6	COIL SPRING	1	PIANO WIRE
5	CAM PIN	1	STAINLESS STEEL
4	CAM SLIDER	1	HEAT RESISTANCE POLYMER, UL94V0, BLACK
3	TERMINALS	1	COPPER ALLOY, CONTACT AREA: GOLD PLATING
2	METAL SHELL	1	STAINLESS STEEL
1	HOUSING	1	HEAT RESISTANCE POLYMER, UL94V0, BLACK

PIN NO	PIN NAME(SD MODE)
1	CD/DAT3
2	CMD
3	VSS1
4	VDD
5	CLK
6	VSS2
7	DAT2
8	DAT1
9	DAT2
10	NC(FOR FUTURE USE)
11	NC(FOR FUTURE USE)

DIM'A'	REMARK
2.03	WITHOUT CARD
2.10	WITH CARD INSERTION (ONLY FOR AREA OF 'S')

RTM	EC NO.	DRWNG:GLL	CHKD:	APP: YTYAP	DATE	DESCRIPTION
	2005/04/06		2005/04/07		2005/04/08	

QUALITY SYMBOLS	GENERAL TOLERANCES (UNLESS SPECIFIED)
▽ 0	4 PLACES ± --- ± ---
▽ 0	3 PLACES ± --- ± ---
▽ 0	2 PLACES ± 0.15 ± ---
▽ 0	1 PLACE ± 0.25 ± ---
	ANGULAR ± 1/2°
	DRAFT WHERE APPLICABLE
	MUST REMAIN WITHIN DIMENSIONS

SCALE	DESIGN UNITS
2:1	METRIC
	DIMENSION STYLE
	MM ONLY
	DRAWN BY
	DATE
	VPENG 20031015
	CHECKED BY
	DATE
	WWSCHANG 20031015
	APPROVED BY
	DATE
	ELAN 20031015

THIRD ANGLE PROJECTION

REVISE ON CAD ONLY

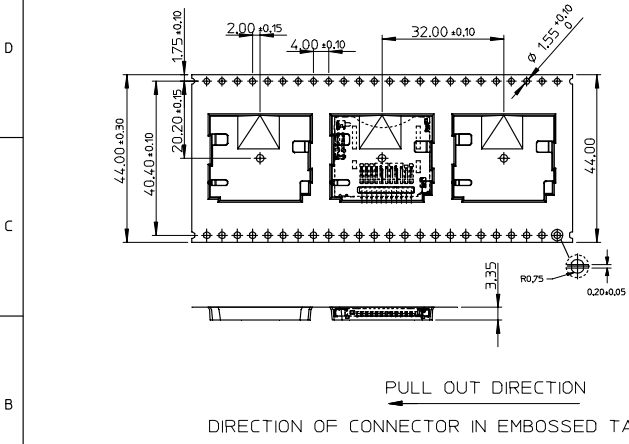
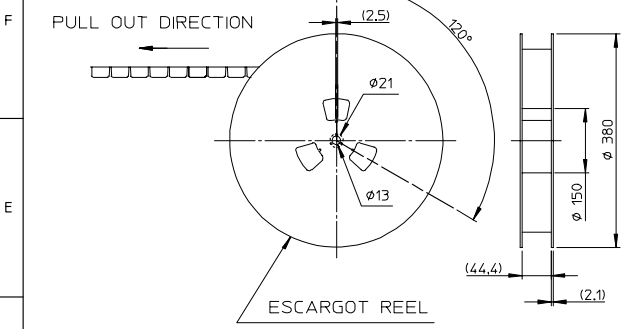
SALES DRAWING
MINI SD CONNECTOR
-LEAD FREE-

MOLEX INCORPORATED

MATERIAL NO. 48050-0001 DOCUMENT NO. SD-48050-001 SHEET NO. 1 OF 2

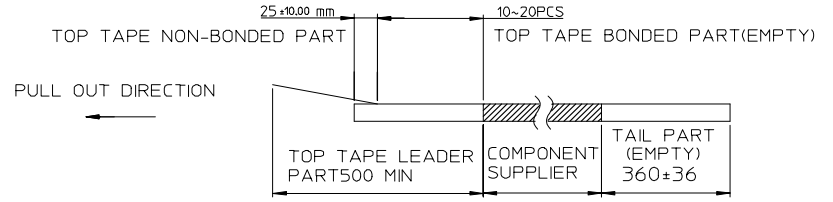
THIS DRAWING CONTAINS INFORMATION THAT IS PROPRIETARY TO MOLEX INCORPORATED AND SHOULD NOT BE USED WITHOUT WRITTEN PERMISSION

10 9 8 7 6 5 4 3 2 1

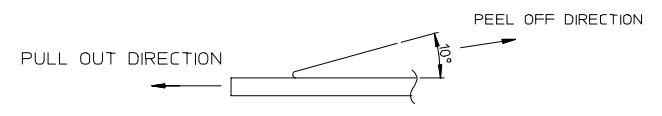


NOTES

1. NUMBER OF CONNECTORS: 250 PCS/REEL
- 2.



3. PEEL OFF FORCE OF TOP TAPE: 0.1~1.3 N (10.2~130gf)
PEELING DIRECTION AS SHOWN IN FOLLOWING FIG.)
(PEEL OFF SPEED: 300mm/min.REF.)



4. PACKAGING DRAWING REFERS TO PK-48141-001.

RTM SH2005-0114 EC NO: SH2005-0114 DRAWN BY: DRWANGELLI CHKD: 2005/04/07 APPR: YTIAP 2005/04/08	QUALITY SYMBOLS	GENERAL TOLERANCES (UNLESS SPECIFIED)	DIMENSION STYLE	SCALE	DESIGN UNITS	THIRD ANGLE PROJECTION
	▽=0 ▽=0	mm INCH 4 PLACES ± --- ± --- 3 PLACES ± --- ± --- 2 PLACES ± 0.15 ± --- 1 PLACE ± 0.25 ± --- ANGULAR ±1/2°	MM ONLY		METRIC	
	DESCRIPTION	DRAFT WHERE APPLICABLE MUST REMAIN WITHIN DIMENSIONS	DRAWN BY: VPENG DATE: 20031015 CHECKED BY: WWSCHANG DATE: 20031015 APPROVED BY: ELAN DATE: 20031015	TITLE	SALES DRAWING MINI SD CONNECTOR -LEAD FREE- MOLEX INCORPORATED	
	REV		MATERIAL NO. 48050-0001	DOCUMENT NO. SD-48050-001	SHEET NO. 2 OF 2	

fb_frame_A3_P_AM_T Rev. D 2004/06/28 9 8 7 6 5 4 3 2 1