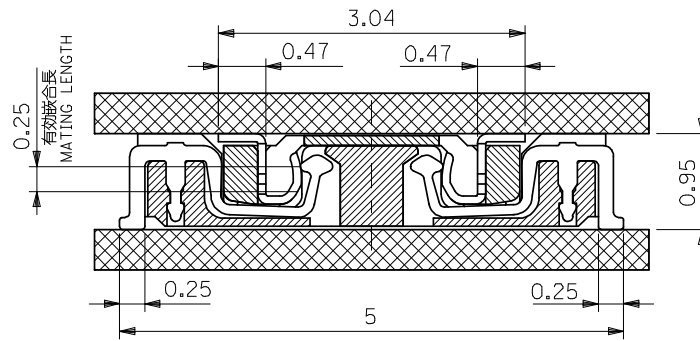


- 注記 NOTES
- 材質 MATERIAL
 ハウジング : 液晶ポリマー-UL94V-0
 HOUSING : LIQUID CRYSTAL POLYMER [LCP] UL94V-0
 ターミナル : 銅合金
 TERMINAL : COPPER ALLOY
 ネール : 銅合金
 NAIL : COPPER ALLOY
 - メッキ仕様 PLATING
 接点部 : 金メッキ 0.1μm
 CONTACT AREA : GOLD PLATING 0.1μm
 半田付け部 : 金メッキ 0.1μm
 SOLDER TAIL AREA : GOLD PLATING 0.1μm
 下地メッキ : ニッケルメッキ 1.0μm
 UNDER PLATING : NICKEL PLATING 1.0μm
 ネール : 錫メッキ 1.0μm
 NAIL : TIN PLATING 1.0μm
 下地メッキ : ニッケルメッキ 0.5μm
 UNDER PLATING : NICKEL PLATING 0.5μm
 - テール及びネールの平坦度は 0.1 以下
 TAIL AND NAIL COPLANARITY : 0.1 MAX.
 - 嵌合相手 : 500027 シリズ
 MATE WITH : 500027 SERIES
 - 本製品は 500024-***9 の鉛フリー品である。
 THIS PRODUCT IS LEAD FREE OF 50024-***9

18.94	15.6	500024-8071	500024-8008	—#—	80
16.94	13.6	500024-7071	500024-7008	—#—	70
15.74	12.4	500024-6471	500024-6408	—#—	64
14.94	11.6	500024-6071	500024-6008	—#—	60
12.94	9.6	500024-5071	500024-5008	—#—	50
10.94	7.6	500024-4071	500024-4008	○	40
9.74	6.4	500024-3471	500024-3408	—#—	34
8.94	5.6	500024-3071	500024-3008	—#—	30
A	B	EMBOSSED TAPE PKG. ORDER No. オダー番号	MATERIAL No.	NOTCH	CIRCUIT

REVISED EC NO: J2009-0301 DRWN: MABEI 2008/08/27 CHKD: THARUYAMA 2008/08/28 APPR: NUKITA 2008/08/28	GENERAL TOLERANCES (UNLESS SPECIFIED)		DIMENSION STYLE MM ONLY	SCALE ---	DESIGN UNITS METRIC	500024-***8	MODEL NO.
	10 UNDER	±0.2	DRAWN BY H. SHIMABUKUR	DATE '04/02/18	TITLE 0.4MM PITCH B/B CONN H=0.95 REC HSG ASSY -LEAD FREE-	MOLEX INCORPORATED	SHEET NO. 1 OF 2
	10 OVER 30 UNDER	±0.25	CHECKED BY K. TOJO	DATE '04/02/18	SEE TABLE		
	30 OVER	±0.3	APPROVED BY M. SASAO	DATE '04/02/18		DOCUMENT NO. SD-500024-018	
REV	DESCRIPTION	ANGULAR ±3 ° DRAFT WHERE APPLICABLE MUST REMAIN WITHIN DIMENSIONS	SIZE A3	THIS DRAWING CONTAINS INFORMATION THAT IS PROPRIETARY TO MOLEX INCORPORATED AND SHOULD NOT BE USED WITHOUT WRITTEN PERMISSION			

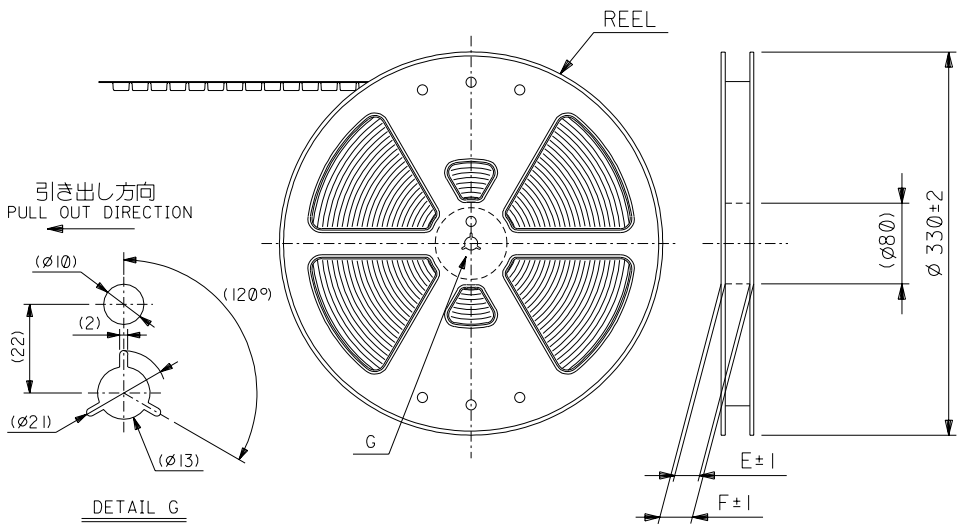


嵌合断面図 (参考)
MATED DRAWING

500024-***8 MODEL NO.

REVISED EC NO: J2009-0301 DRWN: MWABEI 2008/08/27 CHKD: THARUYAMA 2008/08/28 APPR: NUKITA 2008/08/28	GENERAL TOLERANCES (UNLESS SPECIFIED)		DIMENSION STYLE MM ONLY	SCALE ---	DESIGN UNITS METRIC	THIRD ANGLE PROJECTION
	10 UNDER	±0.2	DRAWN BY H. SHIMABUKUR	DATE '04/02/18	TITLE 0.4MM PITCH B/B CONN H=0.95 REC HSG ASSY -LEAD FREE-	
	10 OVER 30 UNDER	±0.25	CHECKED BY K. TOJO	DATE '04/02/18	MOLEX INCORPORATED	
	30 OVER	±0.3	APPROVED BY M. SASAO	DATE '04/02/18	DOCUMENT NO. SD-500024-018	SHEET NO. 2 OF 2
REV	DESCRIPTION	ANGULAR ±3 ° DRAFT WHERE APPLICABLE MUST REMAIN WITHIN DIMENSIONS	MATERIAL NO. SEE SHEET 1	THIS DRAWING CONTAINS INFORMATION THAT IS PROPRIETARY TO MOLEX INCORPORATED AND SHOULD NOT BE USED WITHOUT WRITTEN PERMISSION		

DWG. NO. SD-500024-019

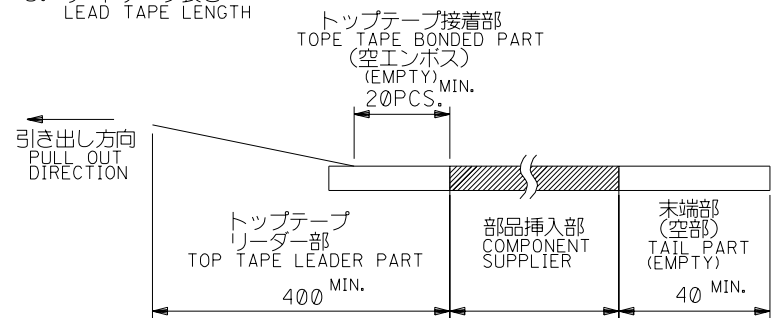


引き出し方向
PULL OUT DIRECTION

DETAIL G

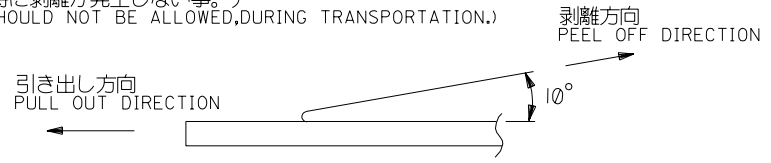
注)
NOTES

- 製品番号500024-***8 詳細寸法については、製品単体図面を参照下さい。
IN THE PACKAGE PART NUMBER 500024-***8 DETAILED DIMENSIONS, SEE SALES DRAWING FOR CONNECTOR.
- 梱包数量：2000個/リール
NUMBER OF CONNECTORS：2000 PCS/REEL.
- リードテープ長さ
LEAD TAPE LENGTH



- トップテープの剥離強度：(剥離方向は下図参照)
PEELING OFF FORCE OF TOP TAPE (PELLING DIRECTION AS SHOWN IN FOLLOWING FIGURE.)
0. 1~1. 3N {10~130gf}

尚、本規格値は、出荷時に適用。
THIS REQUIREMENT SHOULD BE APPLIED AT SHIPMENT.
(但し、輸送時に剥離が発生しない事。)
(PEEL OFF SHOULD NOT BE ALLOWED, DURING TRANSPORTATION.)



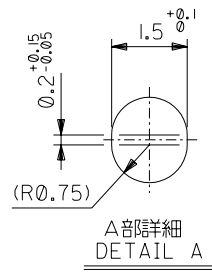
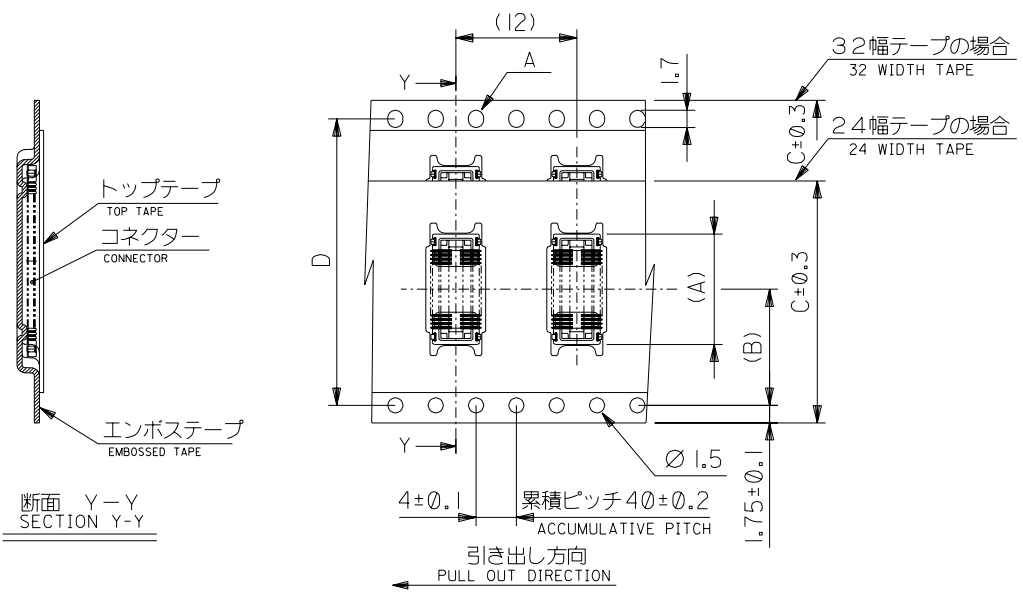
- 材料
MATERIAL
キャリアテープ：ポリプロピレン (PP)
CARRIER TAPE: POLYPROPYLENE (PP)
トップテープ：PET, PE, PEF
TOP TAPE: PET, PE, PEF
リール：ポリスチレン
REEL: POLYSTYRENE
- 本製品は 500024-***01 の鉛フリー品である。
THIS PRODUCT IS LEAD FREE OF 500024-***01

DO NOT SCALE DRAWING

EC NO. DRWN: CHK: APPR:		EC NO. DRWN: CHK: APPR:		EC NO. DRWN: CHK: APPR:		EC NO. DRWN: CHK: APPR:		EC NO. DRWN: CHK: APPR:		500024-***71 MODEL NO. DIMENSIONS: <input type="checkbox"/> mm <input type="checkbox"/> INCH <input checked="" type="checkbox"/> mm ONLY SHT REV REVISION ON CAD ONLY									
RELEASED EC NO. J2004-2492 04/02/18 DRWN: H. SHIMABUKURO CHK: K. TOJO APPR: MSASAO						MATERIAL 材料 注記参照 SEE NOTES		GENERAL TOLERANCES: (UNLESS SPECIFIED) 一般公差		SCALE NONE DESIGN UNITS <input checked="" type="checkbox"/> mm <input type="checkbox"/> INCH		THIRD ANGLE PROJECTION							
FINISH 仕上げ 注記参照 SEE NOTES						WIRE RANGE 適用電線範囲		10 UNDER 未満 ±0.2		DRAWN BY & DATE H. SHIMABUKURO 04/2/18		TITLE: 500024-***8 -LEAD FREE- TAPING PACKAGE							
REV 被覆外径						ANGLE 角度		10 OVER 以上 30 UNDER 未満 ±0.25		CHECKED BY & DATE K. TOJO 04/2/18		MOLEX MOLEX INCORPORATED							
0						INS. RANGE 被覆外径		30 OVER 以上 ±0.3		APPROVED BY & DATE M. Sasaki 04/2/18		CAD FILENAME SD-500024-019.S01		MATERIAL NO. SEE CHART		DRAWING NO. SD-500024-019		SHEET NO. 1 OF 2	
THIS DRAWING CONTAINS INFORMATION THAT IS PROPRIETARY TO MOLEX INCORPORATED AND SHOULD NOT BE USED WITHOUT WRITTEN PERMISSION.										SIZE B									

SD-500024-019.S01

DWG. NO.
SD-500024-019



18.94	14.2	32	28.4	33.4	37.4	500024-8008	500024-8071	80
16.94	14.2		28.4			500024-7008	500024-7071	70
15.74	14.2		28.4			500024-6408	500024-6471	64
14.94	14.2		28.4			500024-6008	500024-6071	60
12.94	11.5	24	—#—	25.4	29.4	500024-5008	500024-5071	50
10.94	11.5		—#—			500024-4008	500024-4071	40
9.74	11.5		—#—			500024-3408	500024-3471	34
8.94	11.5		—#—			500024-3008	500024-3071	30
(A)	(B)	C	D	E	F	CONNECTOR	MATERIAL No.	CIRCUIT

DO NOT SCALE DRAWING

EC NO. DRWN: CHK: APPR:		EC NO. DRWN: CHK: APPR:		EC NO. DRWN: CHK: APPR:		EC NO. DRWN: CHK: APPR:		EC NO. DRWN: CHK: APPR:		EC NO. DRWN: CHK: APPR:		REV		MATERIAL 材料 注記参照 SEE NOTES		GENERAL TOLERANCES: (UNLESS SPECIFIED) 一般公差		SCALE NONE		DESIGN UNITS <input checked="" type="checkbox"/> mm <input type="checkbox"/> INCH		MODEL NO. 500024-***71		DIMENSIONS: <input type="checkbox"/> mm <input type="checkbox"/> INCH <input checked="" type="checkbox"/> mm ONLY		SHT REV			
												DESCRIPTION SEE SHEET 1 OF 2		FINISH 仕上げ 注記参照 SEE NOTES		10 UNDER 未滿		10 OVER 以上		30 UNDER 未滿		DRAWN BY & DATE H.SHIMABUKURO 04/2/17		THIRD ANGLE PROJECTION		TITLE: 500024-***8 -LEAD FREE- TAPING PACKAGE			
												WIRE RANGE 適用電線範囲		—#—		10 OVER 以上		30 OVER 以上		ANGLE 角度		APPROVED BY & DATE M. Saito 04/2/17		MATERIAL NO. SEE CHART		DRAWING NO. SD-500024-019		SHEET NO. 2	
												INS. RANGE 被覆外径		—#—								CAD FILENAME SD-500024-019.S02		MATERIAL NO. SEE CHART		DRAWING NO. SD-500024-019		SHEET NO. 2	
																						THIS DRAWING CONTAINS INFORMATION THAT IS PROPRIETARY TO MOLEX INCORPORATED AND SHOULD NOT BE USED WITHOUT WRITTEN PERMISSION.		MATERIAL NO. SEE CHART		DRAWING NO. SD-500024-019		SHEET NO. 2	