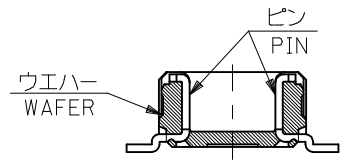
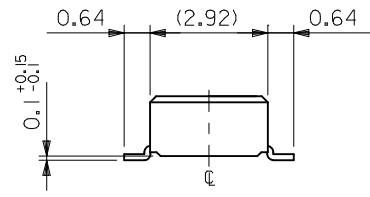
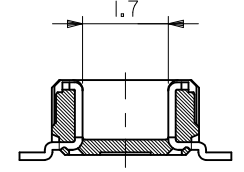


参考基板レイアウト (マウント面)  
P.C.BOARD PATTERN DIMENSION (REF.)  
(MOUNTING AREA)



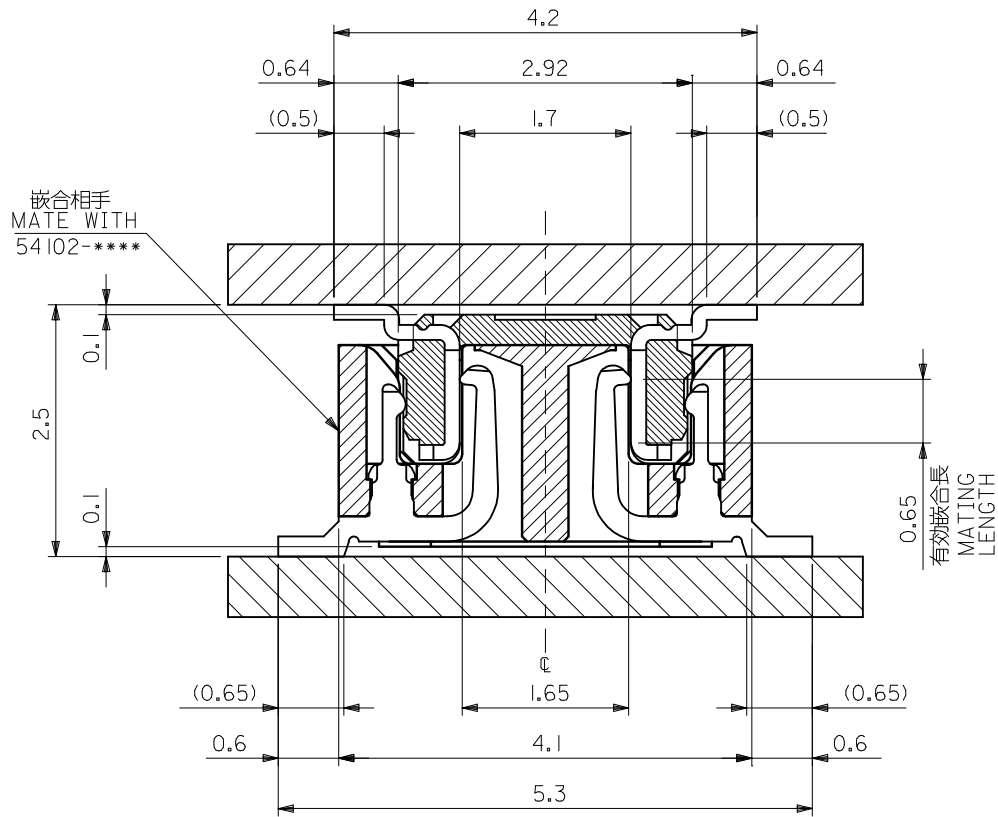
SECT.W-W(LOCK PART)



SECT.V-V(W/O LOCK PART)

NONE	20.55	19.5	21.45	500334-0800	80
ALL	8.05	7	8.95	500334-0300	30
	5.55	4.5	6.45	500334-0200	20
	4.55	3.5	5.45	500334-0160	16
LOCK POSITION	C	B	A	EMBOSSD TAPE PACKAGE ORDER No.	CIRCUIT

REVISED EC NO: J2013-1267 DRWN: TARA01 CHKD: TASAKAWA APPR: MSASAO 2013/05/07 2013/05/08 2013/05/10	GENERAL TOLERANCES (UNLESS SPECIFIED)		DIMENSION STYLE MM ONLY		SCALE ---	DESIGN UNITS METRIC	THIRD ANGLE PROJECTION
	10 UNDER	±0.2	DRAWN BY GMATSUNO	DATE 2012/08/10	TITLE 0.5 B-TO-B CONN PLUG (HGT=2.5) (SHEET 1 OF 2)		
	10 OVER 30 UNDER	±0.25	CHECKED BY TASAKAWA	DATE 2012/08/10	molex SD-500334-001 SHEET NO. 1 OF 2		
	30 OVER	±0.3	APPROVED BY	DATE			
	ANGULAR ±3 °	DRAFT WHERE APPLICABLE MUST REMAIN WITHIN DIMENSIONS	MATERIAL NO. SEE CHART	DOCUMENT NO. SD-500334-001	THIS DRAWING CONTAINS INFORMATION THAT IS PROPRIETARY TO MOLEX INCORPORATED AND SHOULD NOT BE USED WITHOUT WRITTEN PERMISSION		



嵌合断面図 (参考)  
MATED DRAWING (REF.)

**注記 NOTES:**

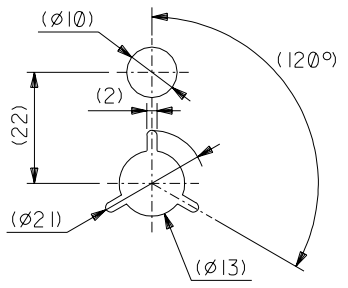
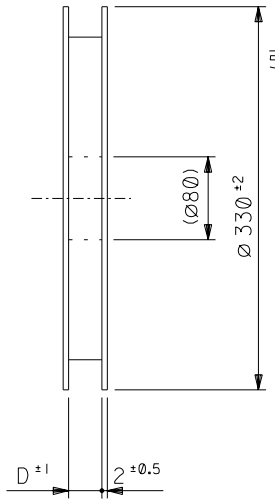
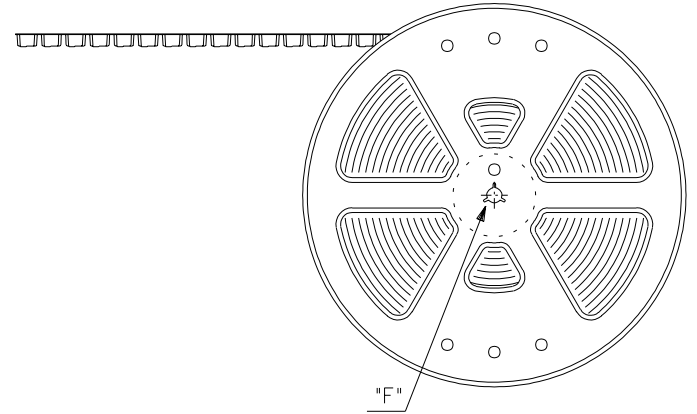
1. 使用材料 MATERIAL  
ハウジング: 液晶ポリマー (LCP), ガラス充填, UL94V-0, 色: 黒  
HOUSING: LIQUID CRYSTAL POLYMER(LCP), GLASS FILLED UL94V-0, COLOR: BLACK  
ターミナル: 黄銅 (t=0.15)  
TERMINAL: BRASS (t=0.15)
2. メッキ仕様 PLATING  
金メッキ 0.25マイクロメートル以上 (コンタクト部)  
GOLD(AU) 0.25 MICROMETER MINIMUM (CONTACT AREA)  
金メッキ (テール部)  
GOLD PLATING (SOLDER TAIL AREA)  
下地メッキ: ニッケルメッキ 1.5マイクロメートル以上  
UNDER PLATING: NICKEL 1.5 MICROMETER MINIMUM
- △ (全極数/2) = 偶数の場合に適用。  
APPLY FOR (CIRCUIT/2)=EVEN.
4. 嵌合相手: 54102シリーズ  
MATE WITH: 54102 SERIES.
5. テール平坦度は 0.1以下。  
TAIL COPLANARITY TO BE 0.1 MAXIMUM.

CONNECTOR SERIES No. 500334-\*\*\*8

REVISED EC NO: J2013-1267 DRWN: TARA101 CHKD: TASAKAWA APPR: MSASAO 2013/05/07 2013/05/08 2013/05/10	GENERAL TOLERANCES (UNLESS SPECIFIED)		DIMENSION STYLE	SCALE	DESIGN UNITS	THIRD ANGLE PROJECTION
			MM ONLY	---	METRIC	
	10 UNDER	±0.2	DRAWN BY	DATE	TITLE	
	10 OVER 30 UNDER	±0.25	GMATSNO	2012/08/10	0.5 B-TO-B CONN PLUG (HGT=2.5) (SHEET 2 OF 2)	
30 OVER	±0.3	CHECKED BY	DATE	molex		
ANGULAR	±3 °	TASAKAWA	2012/08/10	SD-500334-001		
DRAFT WHERE APPLICABLE MUST REMAIN WITHIN DIMENSIONS		APPROVED BY	DATE	SHEET NO.		
		MATERIAL NO.		2 OF 2		
		SEE CHART				
		THIS DRAWING CONTAINS INFORMATION THAT IS PROPRIETARY TO MOLEX INCORPORATED AND SHOULD NOT BE USED WITHOUT WRITTEN PERMISSION				

DWG. NO. SD-500334-003

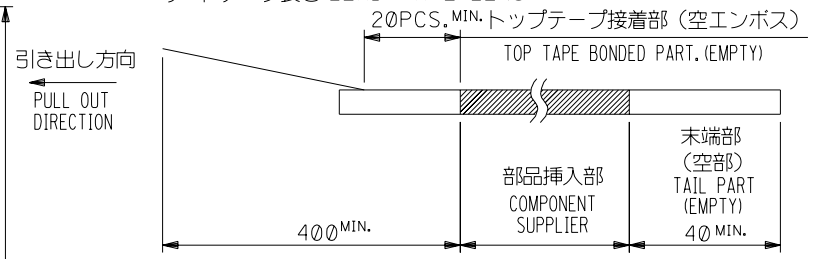
引き出し方向  
PULL OUT DIRECTION



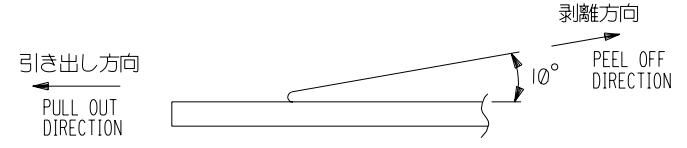
DETAIL "F"

NOTES

- 製品詳細寸法については図面SD-500334-001を参照下さい。  
RE DETAILED DIMENSION, SEE SD-500334-001
- 梱包数量：2500個/リール  
NUMBER OF CONNECTORS : 2500PCS/REEL
- リードテープ長さ LEAD TAPE LENGTH



- トップテープの剥離強度：0.1N ~ 0.7N(10.2gf ~ 71.4gf)  
(剥離方向は下図参照)  
尚、本規格値は出荷時に適用。(但し、輸送時に剥離が発生しないこと。)  
PEELING OFF FORCE OF TOP TAPE : 0.1N ~ 0.7N(10.2gf ~ 71.4gf)  
(PEELING DIRECTION AS SHOWN IN FOLLOWING FIG.)  
THIS REQUIREMENT SHOULD BE APPLIED AT SHIPMENT.  
PEEL OFF SHOULD NOT BE ALLOWED , DURING TRANSPORTATION.



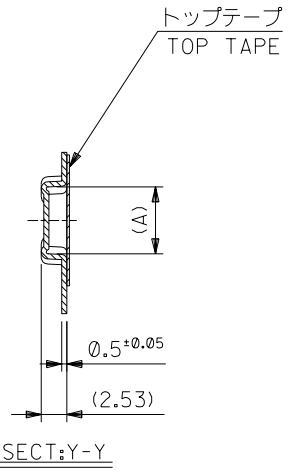
- 材料(MATERIAL)  
キャリアテープ(CARRIER TAPE)：ポリプロピレン(POLYPROPYLENE)  
トップテープ(TOPTAPE)：PET , PE , PEF  
リール(REEL)：ポリスチレン (PS) <リサイクル材を含む>  
POLYSTYRENE(PS) <RECYCLE MATERIAL CONTAINED>

DO NOT SCALE DRAWING

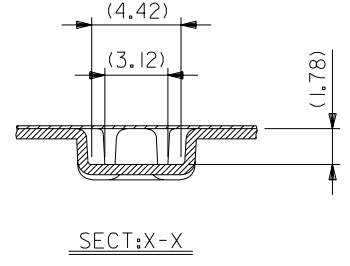
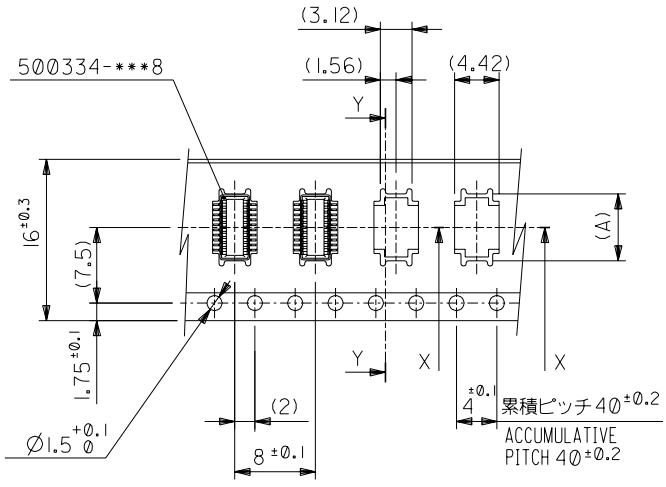
64 NO. DRWN: CH'K: APPR: 63 NO. DRWN: CH'K: APPR: 62 NO. DRWN: CH'K: APPR: 61 NO. DRWN: CH'K: APPR:		RELEASED 03/05/06 60 NO. J2003-2815 DRWN: T.YASUI CH'K: T.ITO APPR: T.YAMAGUCHI	MATERIAL 材料 注記参照 SEE NOTES	GENERAL TOLERANCES: (UNLESS SPECIFIED) 一般公差 10 UNDER 未満 30 UNDER 未満 30 OVER 以上 ANGLE 角度	SCALE 1/1 DESIGN UNITS <input checked="" type="checkbox"/> mm <input type="checkbox"/> INCH	MODEL No. 500334-***1 DIMENSIONS: <input type="checkbox"/> mm <input type="checkbox"/> INCH <input checked="" type="checkbox"/> mm ONLY SHT 1 OF 2 REV B	DRAWN BY & DATE T.YASUI '03/ 5/ 6 CHECKED BY & DATE T.ITO '03/ 5/ 6 APPROVED BY & DATE T.YAMAGUCHI '03/ 5/ 6 CAD FILENAME SD-500334-003.S01	TITLE: Embstp Pkg FOR 0.5 B-To-B PLUG Assy (Hgt=2.5) MOLEX INCORPORATED	MATERIAL NO. SEE SHEET 2 OF 2 DRAWING NO. SD-500334-003 SHEET NO. 1 OF 2
WIRE RANGE 適用規格範囲 INS. RANGE 被覆外径		FINISH 仕上げ //	WIRE RANGE 適用規格範囲 //	FINISH 仕上げ //	WIRE RANGE 適用規格範囲 //	FINISH 仕上げ //	WIRE RANGE 適用規格範囲 //	FINISH 仕上げ //	WIRE RANGE 適用規格範囲 //

SD-500334-003.S01

DWG. NO.  
SD-500334-003



引き出し方向  
PULL OUT DIRECTION



16mm幅キャリアテープ  
16mm WIDTH CARRIER TAPE

16	17.5	6.65	500334-0201	20
キャリアテープ幅 CARRIER TAPE WIDTH	D	(A)	MATERIAL No.	極数 CKT.

MODEL No.	500334-***1	DIMENSIONS:	SHT	REV
DESIGN UNITS	<input checked="" type="checkbox"/> mm <input type="checkbox"/> INCH	<input type="checkbox"/> mm <input type="checkbox"/> INCH	<input type="checkbox"/> mm ONLY	<input type="checkbox"/> INCH ONLY
PROJECTION	<input checked="" type="checkbox"/> FIRST ANGLE	REVISE ON CAD ONLY		

64 NO. DRWN: CHK: APPR:	63 NO. DRWN: CHK: APPR:	62 NO. DRWN: CHK: APPR:	61 NO. DRWN: CHK: APPR:	60 NO. DRWN: CHK: APPR:	59 NO. DRWN: CHK: APPR:
----------------------------------	----------------------------------	----------------------------------	----------------------------------	----------------------------------	----------------------------------

RELEASED 03/05/06  
DRAWN: J2003-2815  
CHK: T.YASUI  
T.IITO  
APPR: T.YAMAGUCHI

MATERIAL 材料	SHEET 1 OF 2 参照 REFER TO SHEET 1 OF 2	GENERAL TOLERANCES: (UNLESS SPECIFIED) 一般公差	SCALE	DESIGN UNITS	PROJECTION	TITLE:
FINISH 仕上げ	//	10 UNDER 未満 ±0.2	//	<input checked="" type="checkbox"/> mm <input type="checkbox"/> INCH	<input checked="" type="checkbox"/> FIRST ANGLE	Embstp Pkg FOR 0.5 B-To-B PLUG Assy (Hgt=2.5)
WIRE RANGE 適用電線範囲	//	10 OVER 30 UNDER 未満 ±0.25		<input type="checkbox"/> mm <input type="checkbox"/> INCH	<input type="checkbox"/> mm ONLY	MOLEX INCORPORATED
INS. RANGE 被覆外径	//	30 OVER 以上 ±0.3	ANGLE 角度 ±3°	DRAWN BY & DATE T.YASUI '03/ 5/ 6		
				CHECKED BY & DATE T.IITO '03/ 5/ 6		MATERIAL NO.
				APPROVED BY & DATE T.YAMAGUCHI '03/ 5/ 6		DRAWING NO.
				CAD FILENAME SD-500334-003.S02		SHEET NO.
				TITLE: Embstp Pkg FOR 0.5 B-To-B PLUG Assy (Hgt=2.5)		2 OF 2
				MATERIAL NO. SEE CHART		SIZE B
				DRAWING NO. SD-500334-003		

THIS DRAWING CONTAINS INFORMATION THAT IS PROPRIETARY TO MOLEX INCORPORATED AND SHOULD NOT BE USED WITHOUT WRITTEN PERMISSION.

DO NOT SCALE DRAWING

SD-500334-003.S02