

注記 NOTES

1. 使用材料 MATERIAL
 ハウジング : 液晶ポリマー (LCP) UL94V-0 (黒)
 HOUSING: LIQUID CRYSTAL POLYMER UL94V-0 (COLOR: BLACK)
 ターミナル : リン青銅
 TERMINAL: PHOSPHOR BRONZE
 補強金具 : リン青銅
 FITTING NAIL: PHOSPHOR BRONZE
2. メッキ仕様 PLATING
 ターミナル TERMINAL
 コンタクト部 : 部分金めっき (0.2µm以上)
 CONTACT AREA: SEPARATED GOLD PLATING (0.2 MICROMETER MINIMUM)
 テール部 : 部分金めっき
 SOLDER TAIL AREA: SEPARATED GOLD PLATING
 下地 : ニッケルめっき (1.5µm以上)
 UNDERPLATE: NICKEL OVERALL (1.5 MICROMETER MINIMUM)
 ※コンタクト部とテール部はニッケルメッキによって分断されている金メッキです。
 DIVIDE INTO PARTS THE GOLD PLATING OF THE CONTACT AND THE TAIL PART BY THE NICKEL PLATING.
 補強金具 FITTING NAIL
 テール部 : 錫メッキ (1.0µm以上)
 SOLDER TAIL AREA: TIN PLATING (1.0 MICROMETER MINIMUM)
 下地 : ニッケルめっき (1.0µm以上)
 UNDERPLATE: NICKEL OVERALL (1.0 MICROMETER MINIMUM)
- △ (全極数 / 2) = 偶数の場合に適用。
 APPLY FOR (CIRCUIT/2) = EVEN.
4. 嵌合相手 : 55909シリーズ (嵌合高さ = 1.8mm) 及び 501745シリーズ (嵌合高さ = 2.3mm)
 MATE WITH : 55909 SERIES (HEIGHT = 1.8mm) AND 501745 SERIES (HEIGHT = 2.3mm)
5. テール及び金具の平坦度は、 0.1 以下
 TAIL AND FITTING NAIL COPLANARITY TO BE 0.1 MAXIMUM.
6. ELV & RoSH適合品
 ELV and RoSH COMPLIANT

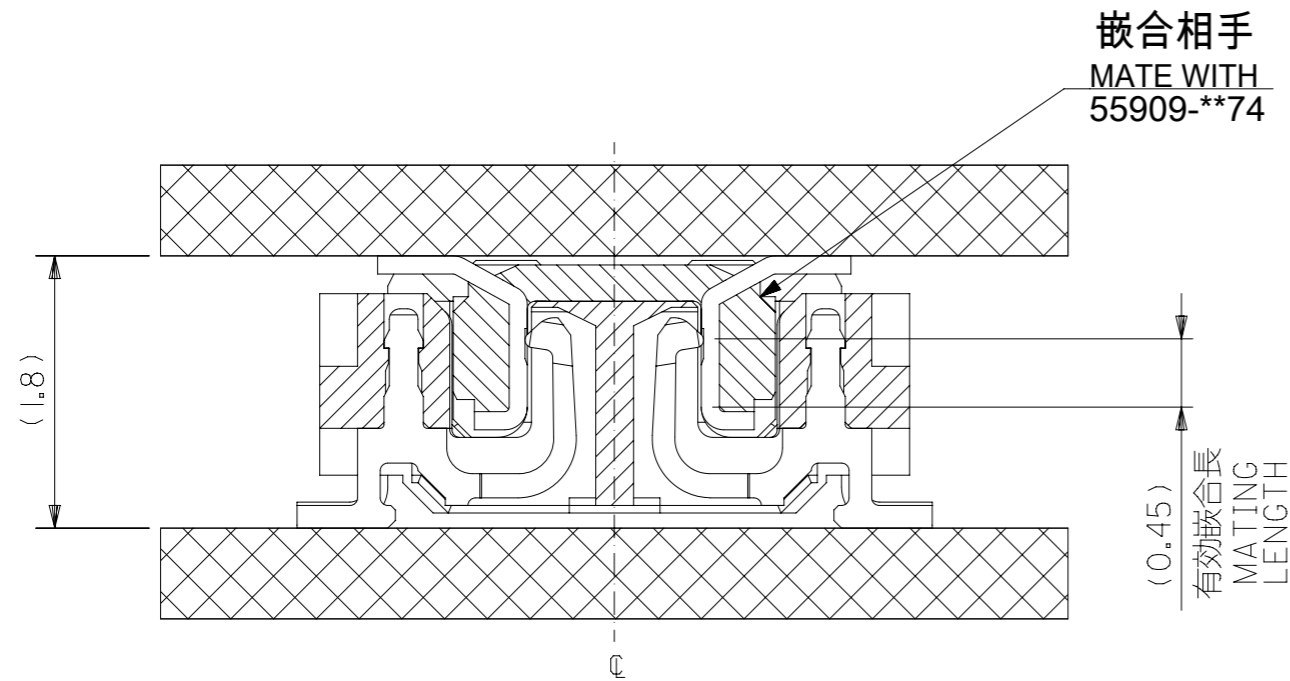
21.5	19.6	23.1	500913-1002	100
19.5	17.6	21.1	500913-0902	90
15.5	13.6	17.1	500913-0702	70
13.5	11.6	15.1	500913-0602	60
11.5	9.6	13.1	500913-0502	50
9.5	7.6	11.1	500913-0402	40
7.5	5.6	9.1	500913-0302	30
6.3	4.4	7.9	500913-0242	24
C	B	A	EMBOSSED TAPE PACKAGE オーダー番号 ORDER NO.	極数 CIRCUIT

CONNECTOR SERIES No. : 500913-***8

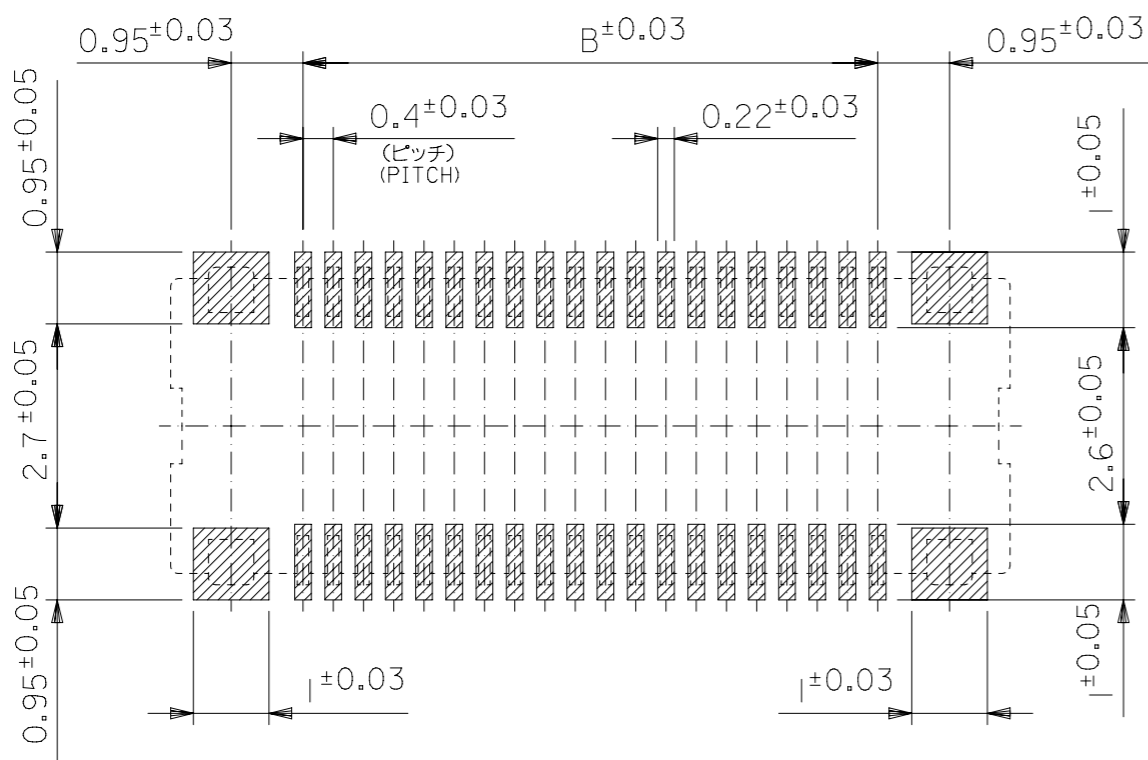
THIS DRAWING CONTAINS INFORMATION THAT IS PROPRIETARY TO MOLEX ELECTRONIC TECHNOLOGIES, LLC AND SHOULD NOT BE USED WITHOUT WRITTEN PERMISSION

DIMENSION UNITS mm	SCALE NTS	CURRENT REV DESC:		molex		
GENERAL TOLERANCES (UNLESS SPECIFIED)		EC NO: 638555				
ANGULAR TOL ± °		4 PLACES ±	DRWN: BKBAE	2020/05/15		PRODUCT CUSTOMER DRAWING
		3 PLACES ±	CHK'D: SHCHU	2020/05/29		
		2 PLACES ±	APPR: SHCHU	2020/06/01		DOCUMENT NUMBER SD-500913-001
		1 PLACE ±	INITIAL REVISION:			
		0 PLACES ±	DRWN: RSUMIYA	2004/04/19		DOC PART 001
			APPR: MSASAO	2004/04/22		REVISION G
DRAFT WHERE APPLICABLE MUST REMAIN WITHIN DIMENSIONS	THIRD ANGLE PROJECTION	DRAWING A3-SIZE	SERIES 500913	MATERIAL NUMBER SEE CHART	CUSTOMER GENERAL MARKET	SHEET NUMBER 1 OF 2

MATE : 500913 WITH 55909

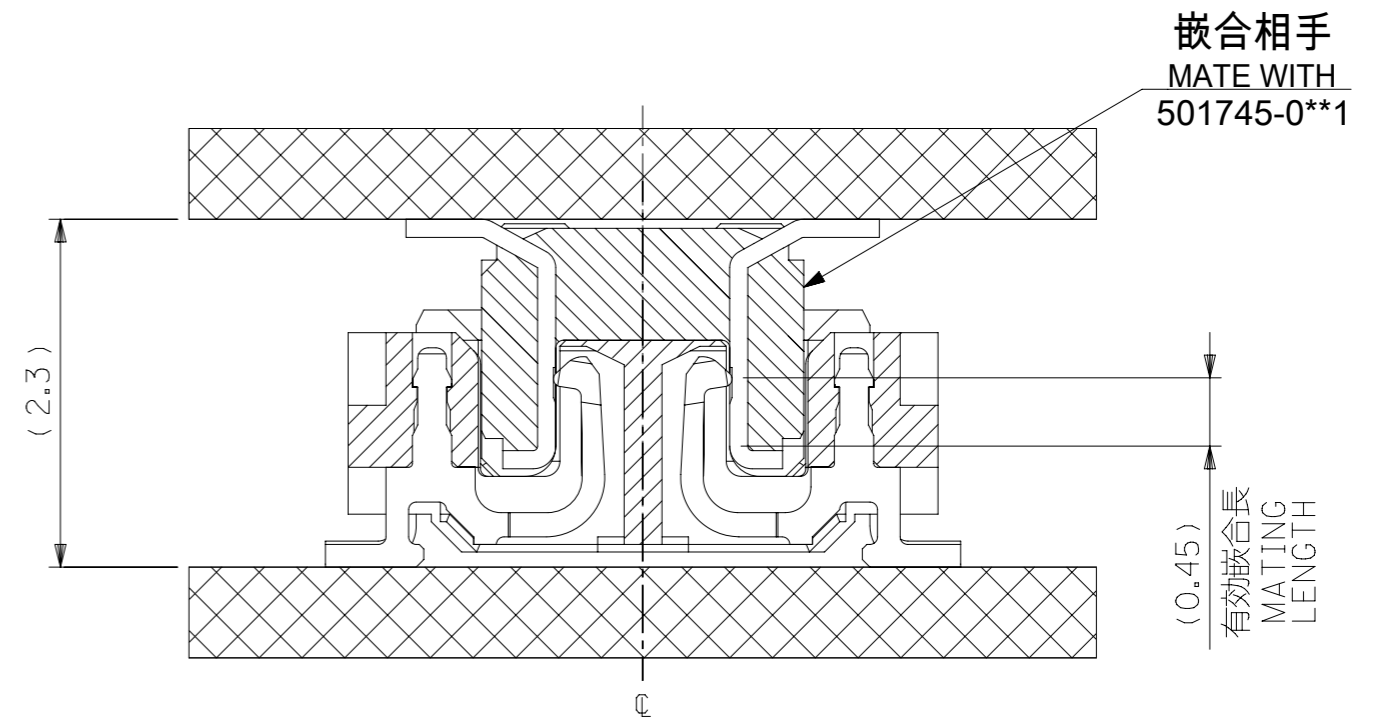


嵌合断面図 (参考)
MATED DRAWING (REFERENCE)



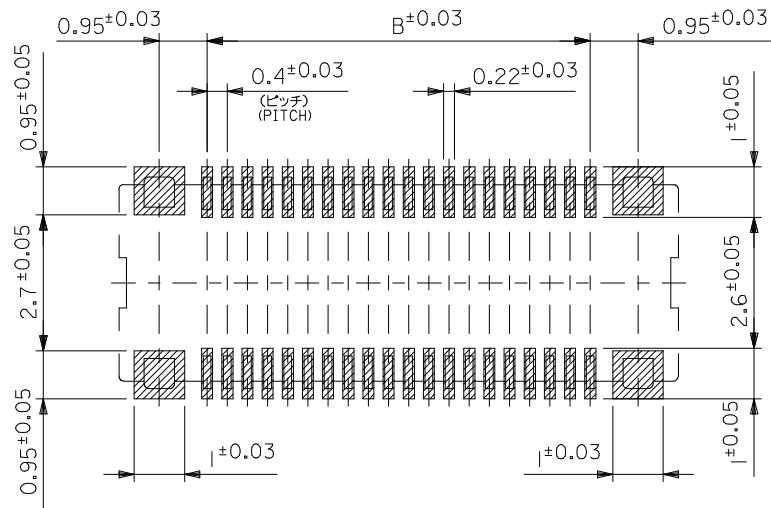
参考基板レイアウト (マウント面)
P.C.BOARD PATTERN DIMENSION. (REFERENCE)
(MOUNTING AREA)

MATE : 500913 WITH 501745

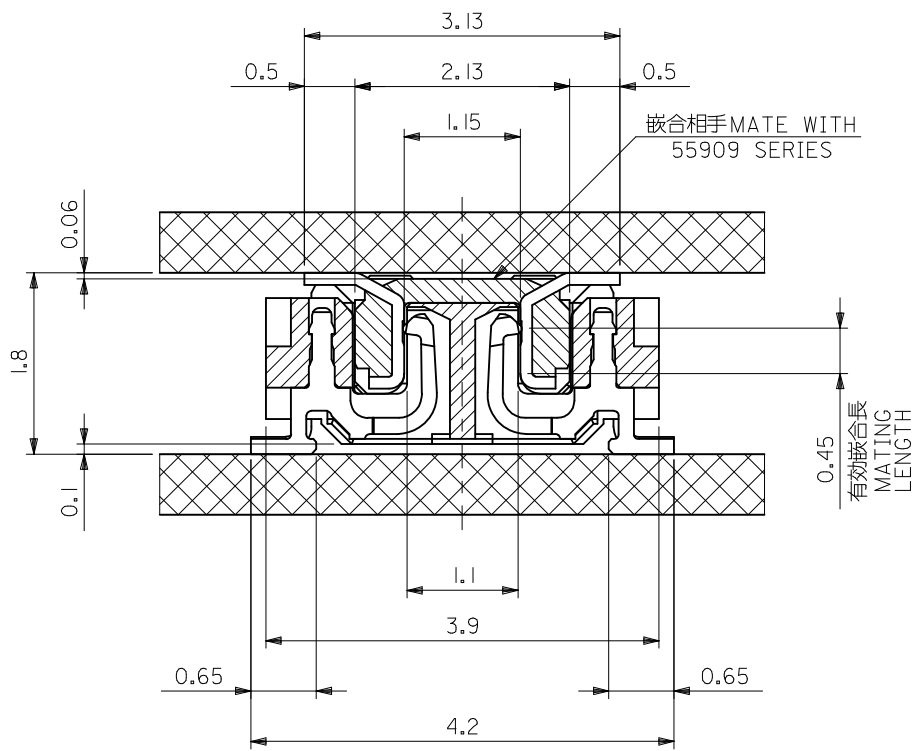


嵌合断面図 (参考)
MATED DRAWING (REFERENCE)

THIS DRAWING CONTAINS INFORMATION THAT IS PROPRIETARY TO MOLEX ELECTRONIC TECHNOLOGIES, LLC AND SHOULD NOT BE USED WITHOUT WRITTEN PERMISSION		CURRENT REV DESC:		molex			
DIMENSION UNITS	SCALE					0.4 B-TO-B CONN. H = 1.8 / 2.3 J-BEND REC.	
mm	NTS						
GENERAL TOLERANCES (UNLESS SPECIFIED)		EC NO: 638555		2020/05/15			
ANGULAR TOL ± °		DRWN: BKBAE		2020/05/29			
4 PLACES ±		CHK'D: SHCHU		2020/06/01			
3 PLACES ±		APPR: SHCHU					
2 PLACES ±		INITIAL REVISION:		DOCUMENT NUMBER			
1 PLACE ±		DRWN: RSUMIYA		SD-500913-001			
0 PLACES ±		APPR: MSASAO		PSD 001 G			
DRAFT WHERE APPLICABLE MUST REMAIN WITHIN DIMENSIONS		THIRD ANGLE PROJECTION	DRAWING	SERIES	MATERIAL NUMBER	CUSTOMER	SHEET NUMBER
			A3-SIZE	500913	SEE CHART1	GENERAL MARKET	2 OF 2

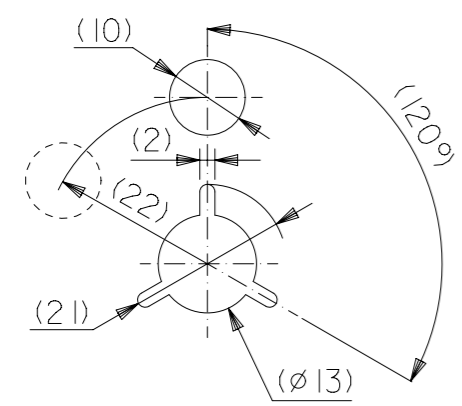
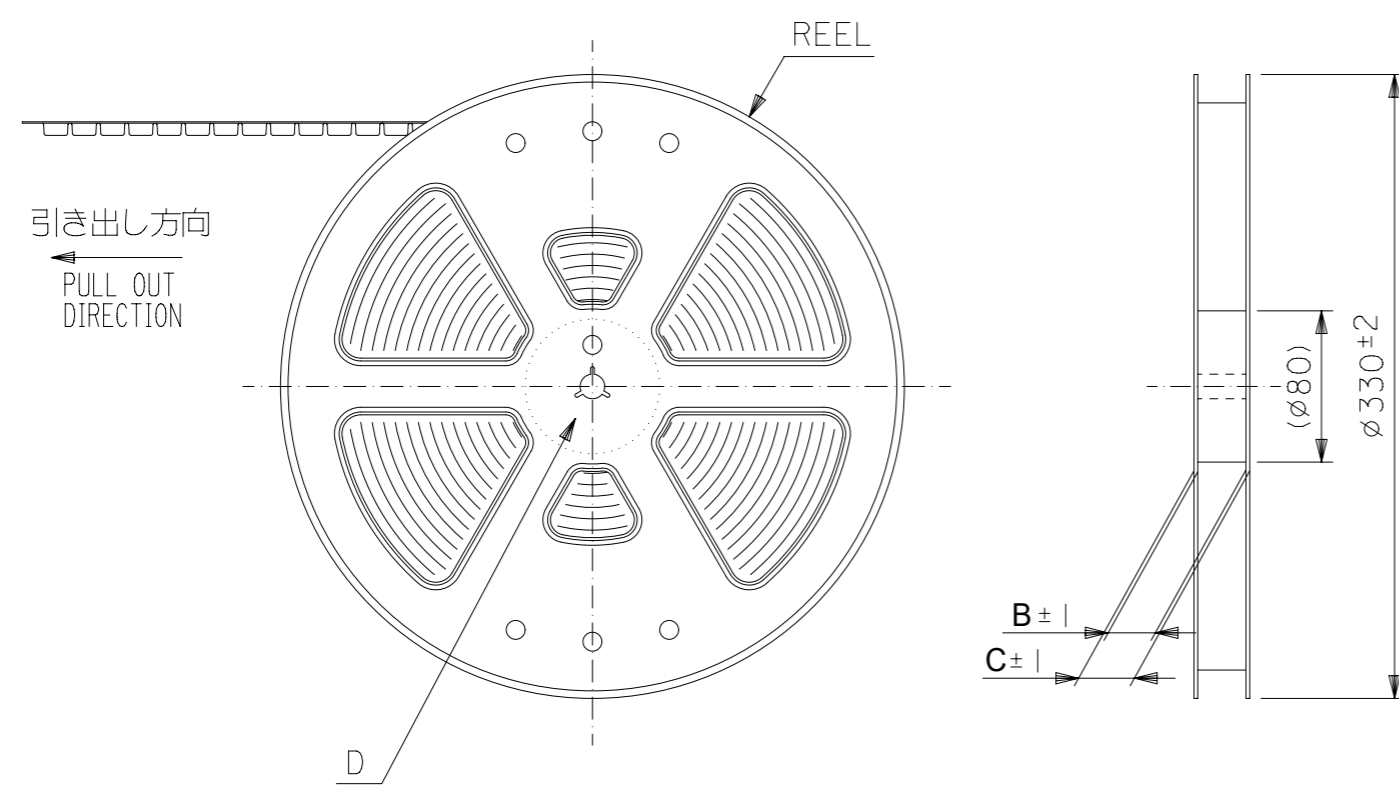


参考基板レイアウト (マウント面)
P.C.BOARD PATTERN DIMENSION. (REFERENCE)
(MOUNTING AREA)



嵌合断面図 (参考)
MATED DRAWING (REFERENCE)

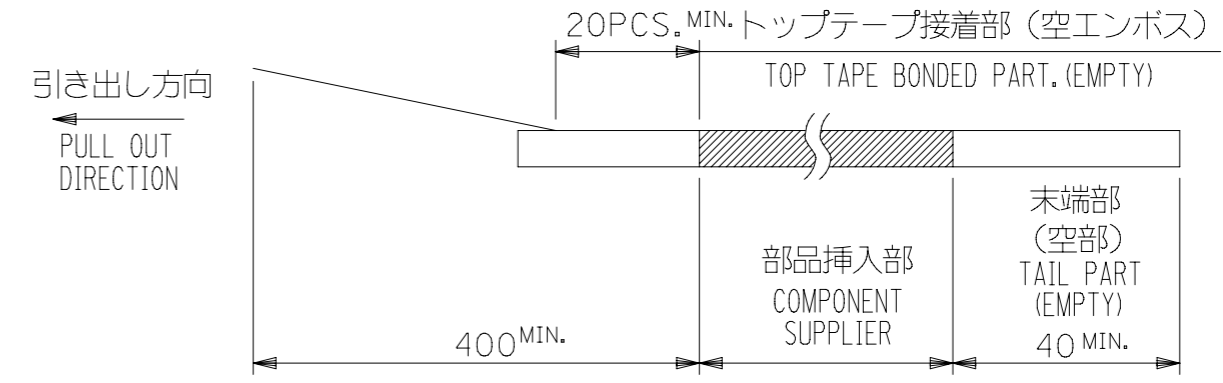
REVISED EC NO: J2015-0494 DRWN:NAITO 2014/10/10 CHKD:TASAKAWA 2014/10/10 APPR:KMORIKAWA 2014/10/10	GENERAL TOLERANCES (UNLESS SPECIFIED)		DIMENSION STYLE MM ONLY	SCALE ---	DESIGN UNITS METRIC	THIRD ANGLE PROJECTION
	10 UNDER	±---	DRAWN BY R. SUMIYA	DATE 2004/04/19	TITLE 0.4 B-TO-B CONN REC HSG ASSY (HGT=1.8MM) -LEAD FREE-	
	10 OVER 30 UNDER	±---	CHECKED BY M. SASAO	DATE 2004/04/19		
	30 OVER	±---	APPROVED BY M. SASAO	DATE 2004/04/19		
ANGULAR ±--- °	DRAFT WHERE APPLICABLE MUST REMAIN WITHIN DIMENSIONS		MATERIAL NO. SEE SHEET 1	DOCUMENT NO. SD-500913-001	SHEET NO. 2 OF 2	
			SIZE A3	THIS DRAWING CONTAINS INFORMATION THAT IS PROPRIETARY TO MOLEX INCORPORATED AND SHOULD NOT BE USED WITHOUT WRITTEN PERMISSION		



DETAIL D

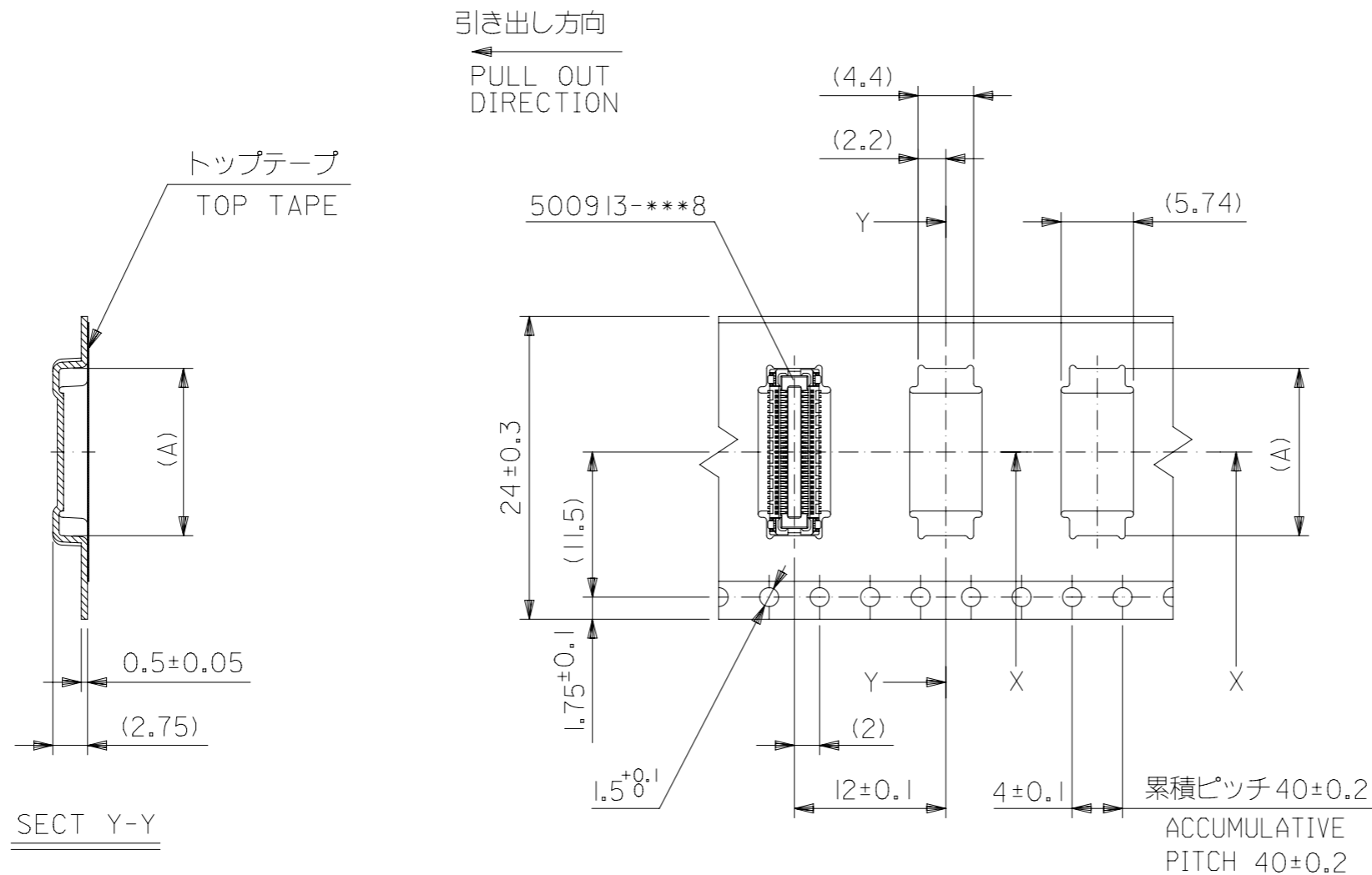
NOTES

- 製品詳細寸法については製品単体図面 SD-500913-001 を参照下さい。
DETAIL DIMENSIONS, SEE PRODUCT DRAWING. NO. SD-500913-001.
- 梱包数量：1500個/リール
NUMBER OF CONNECTORS : 1500PCS/REEL
- リードテープ長さ LEAD TAPE LENGTH
20PCS. MIN. トップテープ接着部 (空エンボス)
TOP TAPE BONDED PART. (EMPTY)



- 材料 MATERIAL
キャリアテープ (CARRIER TAPE) : ポリプロピレン (POLYPROPYLENE)
トップテープ (TOPTAPE) : PET, PE, PEF
リール (REEL) : ポリスチレン (PS) <リサイクル材を含む>
POLYSTYRENE (PS) <RECYCLE MATERIAL CONTAINED>

THIS DRAWING CONTAINS INFORMATION THAT IS PROPRIETARY TO MOLEX ELECTRONIC TECHNOLOGIES, LLC AND SHOULD NOT BE USED WITHOUT WRITTEN PERMISSION		CURRENT REV DESC:		molex			
DIMENSION UNITS	SCALE						
mm	NTS			0.4 B-TO-B CONN. H = 1.8 / 2.3 J-BEND REC.			
GENERAL TOLERANCES (UNLESS SPECIFIED)		EC NO: 638555		PRODUCT CUSTOMER DRAWING			
ANGULAR TOL	± °	DRWN: BKBAE 2020/05/15		DOCUMENT NUMBER			
4 PLACES	±	CHK'D: SHCHU 2020/05/29		SD-500913-002			
3 PLACES	±	APPR: SHCHU 2020/06/01		DOC TYPE			
2 PLACES	±	INITIAL REVISION:		DOC PART			
1 PLACE	±	DRWN: RSUMIYA 2004/04/19		REVISION			
0 PLACES	±	APPR: MSASAO 2004/04/22		F			
DRAFT WHERE APPLICABLE MUST REMAIN WITHIN DIMENSIONS		THIRD ANGLE PROJECTION	DRAWING	SERIES	MATERIAL NUMBER	CUSTOMER	SHEET NUMBER
			A3-SIZE	500913	SEE CHART	GENERAL MARKET	1 OF 4



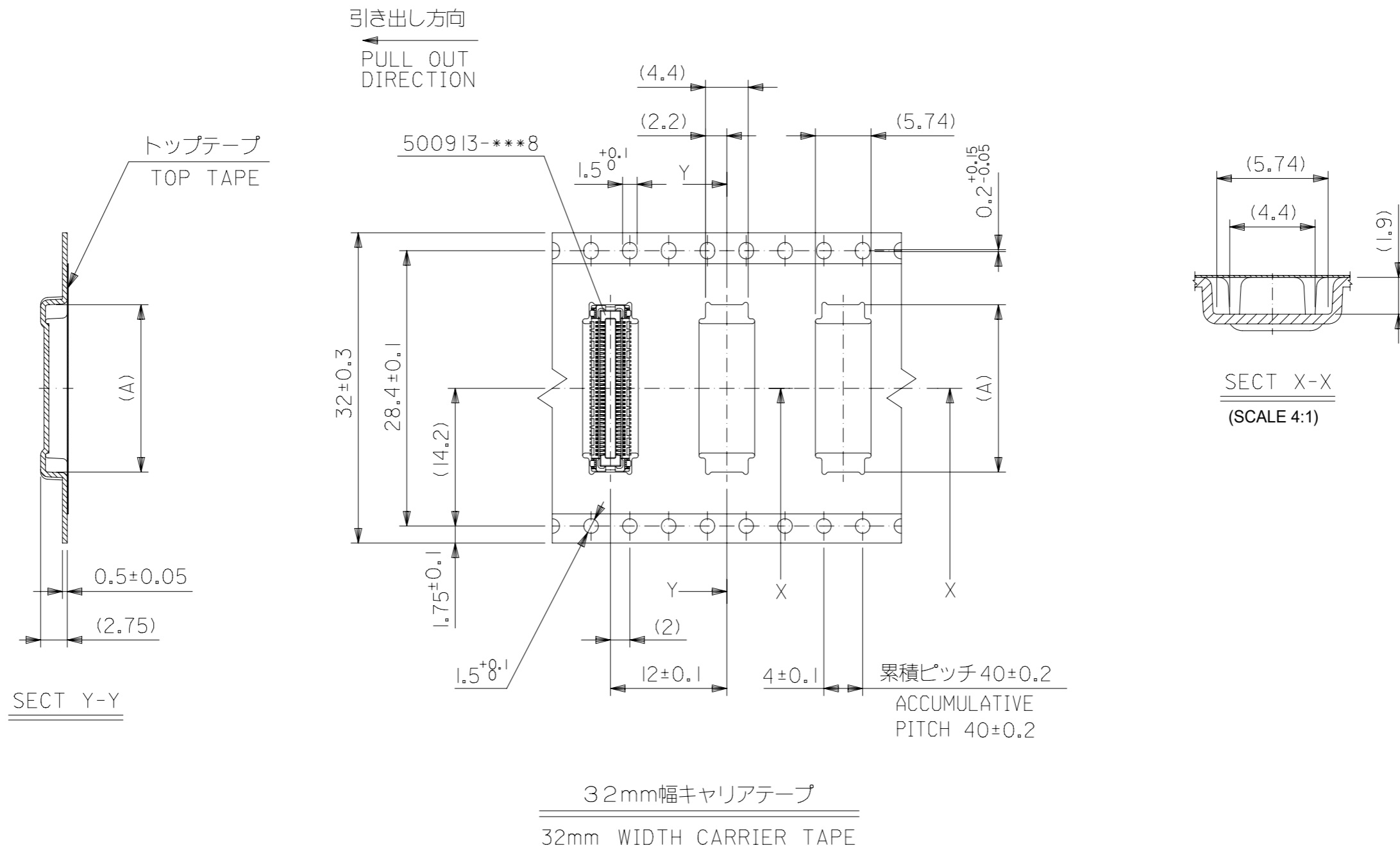
24mm幅キャリアテープ
24mm WIDTH CARRIER TAPE

24	29.4	25.4	15.26	500913-0602	60
			13.26	500913-0502	50
			11.26	500913-0402	40
			9.26	500913-0302	30
			8.06	500913-0242	24
キャリアテープ幅 CARRIER TAPE WIDTH	C	B	(A)	MATERIAL NO.	CIRCUIT

500913-***2 MODEL NO.

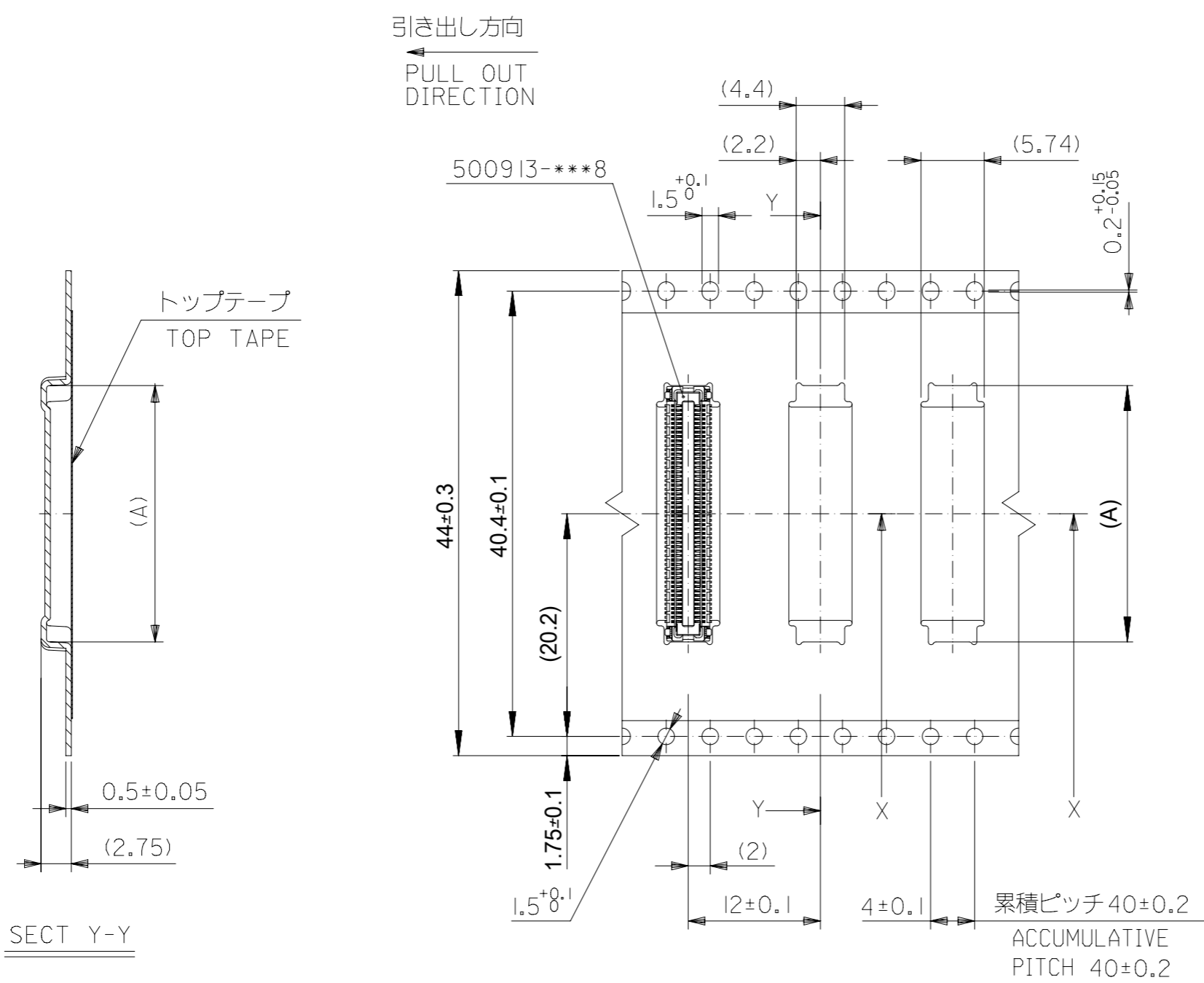
THIS DRAWING CONTAINS INFORMATION THAT IS PROPRIETARY TO MOLEX ELECTRONIC TECHNOLOGIES, LLC AND SHOULD NOT BE USED WITHOUT WRITTEN PERMISSION

DIMENSION UNITS mm	SCALE NTS	CURRENT REV DESC:		molex		
GENERAL TOLERANCES (UNLESS SPECIFIED)		EC NO: 638555				
ANGULAR TOL	± °	DRWN: BKBAE 2020/05/15		PRODUCT CUSTOMER DRAWING		
4 PLACES	±	CHK'D: SHCHU 2020/05/29		DOCUMENT NUMBER		
3 PLACES	±	APPR: SHCHU 2020/06/01		SD-500913-002		
2 PLACES	±	INITIAL REVISION:		DOC TYPE		
1 PLACE	±	DRWN: RSUMIYA 2004/04/19		PSD		
0 PLACES	±	APPR: MSASAO 2004/04/22		DOC PART		
DRAFT WHERE APPLICABLE MUST REMAIN WITHIN DIMENSIONS		THIRD ANGLE PROJECTION	DRAWING	SERIES	MATERIAL NUMBER	CUSTOMER
			A3-SIZE	500913	SEE CHART1	GENERAL MARKET
						SHEET NUMBER
						2 OF 4



32	41.4	37.4	21.26	500913-0902	90
	37.4	33.4	17.26	500913-0702	70
キャリアテープ幅 CARRIER TAPE WIDTH	C	B	(A)	MATERIAL NO.	CIRCUIT
500913-***2				MODEL NO.	

THIS DRAWING CONTAINS INFORMATION THAT IS PROPRIETARY TO MOLEX ELECTRONIC TECHNOLOGIES, LLC AND SHOULD NOT BE USED WITHOUT WRITTEN PERMISSION					
DIMENSION UNITS mm	SCALE NTS	CURRENT REV DESC:			
GENERAL TOLERANCES (UNLESS SPECIFIED)		molex 0.4 B-TO-B CONN. H = 1.8 / 2.3 J-BEND REC. PRODUCT CUSTOMER DRAWING			
ANGULAR TOL	± °				
4 PLACES	±				
3 PLACES	±				
2 PLACES	±				
1 PLACE	±				
0 PLACES	±	EC NO: 638555	2020/05/15	DOCUMENT NUMBER	DOC TYPE
DRAFT WHERE APPLICABLE MUST REMAIN WITHIN DIMENSIONS		DRWN: BKB AE	2020/05/29	SD-500913-002	PSD
THIRD ANGLE PROJECTION		CHK'D: SHCHU	2020/06/01	DOC PART	REVISION
DRAWING		APPR: SHCHU	2020/04/19	001	F
SERIES		INITIAL REVISION:	2004/04/22	SHEET NUMBER	
A3-SIZE		DRWN: RSUMIYA	2004/04/19	3 OF 4	
500913		APPR: MSASAO	2004/04/22		
MATERIAL NUMBER		CUSTOMER			
SEE CHART1		GENERAL MARKET			



SECT Y-Y

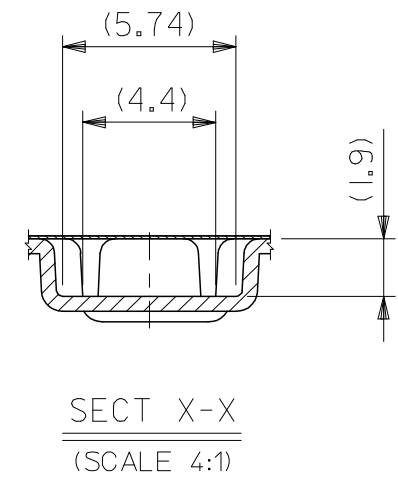
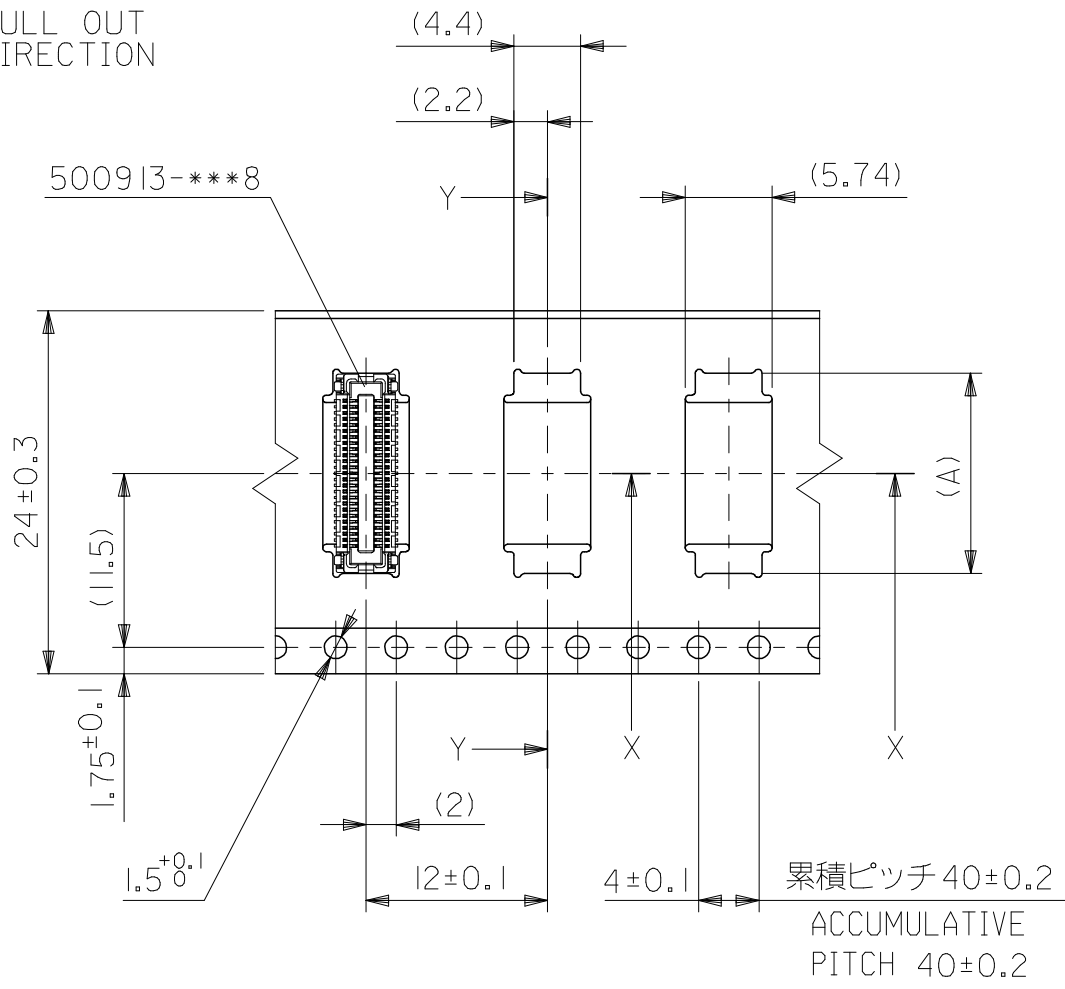
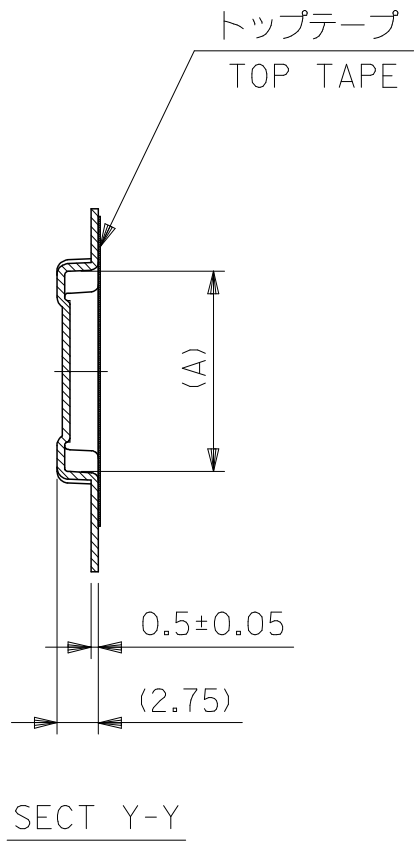
SECT X-X
(SCALE 4:1)

44 mm幅キャリアテープ
44 mm WIDTH CARRIER TAPE

44	49.4	45.4	23.26	500913-1002	100
キャリアテープ幅 CARRIER TAPE WIDTH	C	B	(A)	MATERIAL NO.	CIRCUIT
500913-***2				MODEL NO.	

THIS DRAWING CONTAINS INFORMATION THAT IS PROPRIETARY TO MOLEX ELECTRONIC TECHNOLOGIES, LLC AND SHOULD NOT BE USED WITHOUT WRITTEN PERMISSION					
DIMENSION UNITS mm	SCALE NTS	CURRENT REV DESC:			
GENERAL TOLERANCES (UNLESS SPECIFIED)		<p>molex</p> <p>0.4 B-TO-B CONN. H = 1.8 / 2.3 J-BEND REC.</p> <p>PRODUCT CUSTOMER DRAWING</p>			
ANGULAR TOL	± °				
4 PLACES	±				
3 PLACES	±				
2 PLACES	±				
1 PLACE	±				
0 PLACES	±	EC NO: 638555	2020/05/15	DRWN: BKBAE	2020/05/29
DRAFT WHERE APPLICABLE MUST REMAIN WITHIN DIMENSIONS		CHK'D: SHCHU	2020/06/01	APPR: SHCHU	2020/06/01
THIRD ANGLE PROJECTION		INITIAL REVISION:	DOCUMENT NUMBER		
DRAWING		DRWN: RSUMIYA	SD-500913-002		
SERIES		APPR: MSASAO	DOC TYPE	DOC PART	REVISION
A3-SIZE	500913	2004/04/19	PSD	001	F
MATERIAL NUMBER		CUSTOMER		SHEET NUMBER	
SEE CHART1	GENERAL MARKET	4 OF 4			

引き出し方向
PULL OUT
DIRECTION

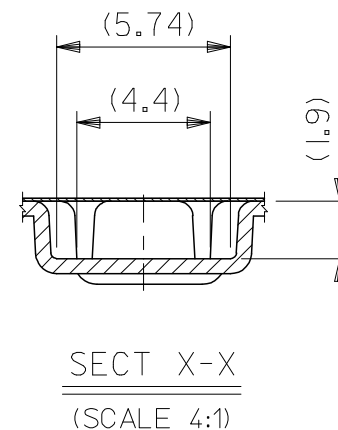
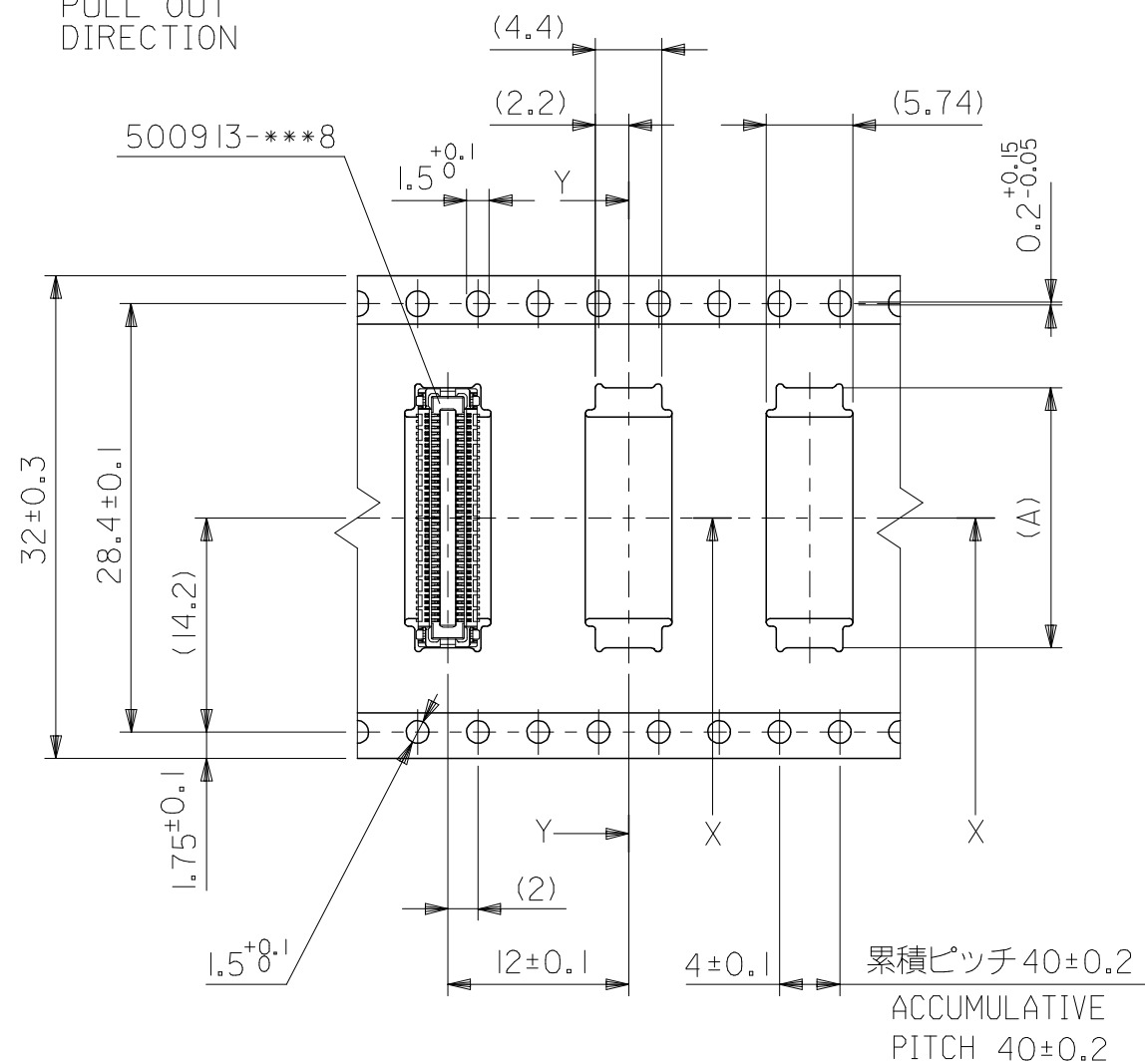
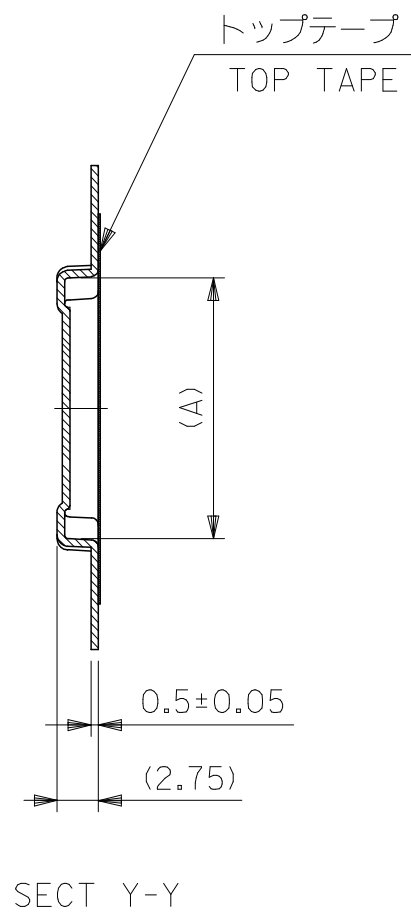


24mm幅キャリアテープ
24mm WIDTH CARRIER TAPE

24	29.4	25.4	15.26	500913-0602	60
			13.26	500913-0502	50
			11.26	500913-0402	40
			9.26	500913-0302	30
			8.06	500913-0242	24
キャリアテープ幅 CARRIER TAPE WIDTH	C	B	(A)	MATERIAL NO.	CIRCUIT

REVISED EC NO: J2007-1419 DRWN: MNABEI CHKD: KTOYODA APPR: NUKITA	DESCRIPTION	GENERAL TOLERANCES (UNLESS SPECIFIED)		DIMENSION STYLE MM ONLY		500913-****2		MODEL NO.		
		10 UNDER	±---	DRAWN BY	DATE	SCALE	DESIGN UNITS	THIRD ANGLE PROJECTION		
		10 OVER 30 UNDER	±---	R. SUMIYA	2004/04/19	2:1	METRIC	TITLE 0.4 B-TO-B REC HSG ASSY (HGT=1.8) EMBSTP PKG -LEAD FREE-		
		30 OVER	±---	CHECKED BY	DATE	MOLEX INCORPORATED				
		ANGULAR	±--- °	M. SASAO	2004/04/19	APPROVED BY		DATE	DOCUMENT NO.	SHEET NO.
	DRAFT WHERE APPLICABLE MUST REMAIN WITHIN DIMENSIONS	SEE CHART		M. SASAO		2004/04/19	SD-500913-002	2 OF 4		
		SIZE	THIS DRAWING CONTAINS INFORMATION THAT IS PROPRIETARY TO MOLEX INCORPORATED AND SHOULD NOT BE USED WITHOUT WRITTEN PERMISSION							

引き出し方向
PULL OUT
DIRECTION

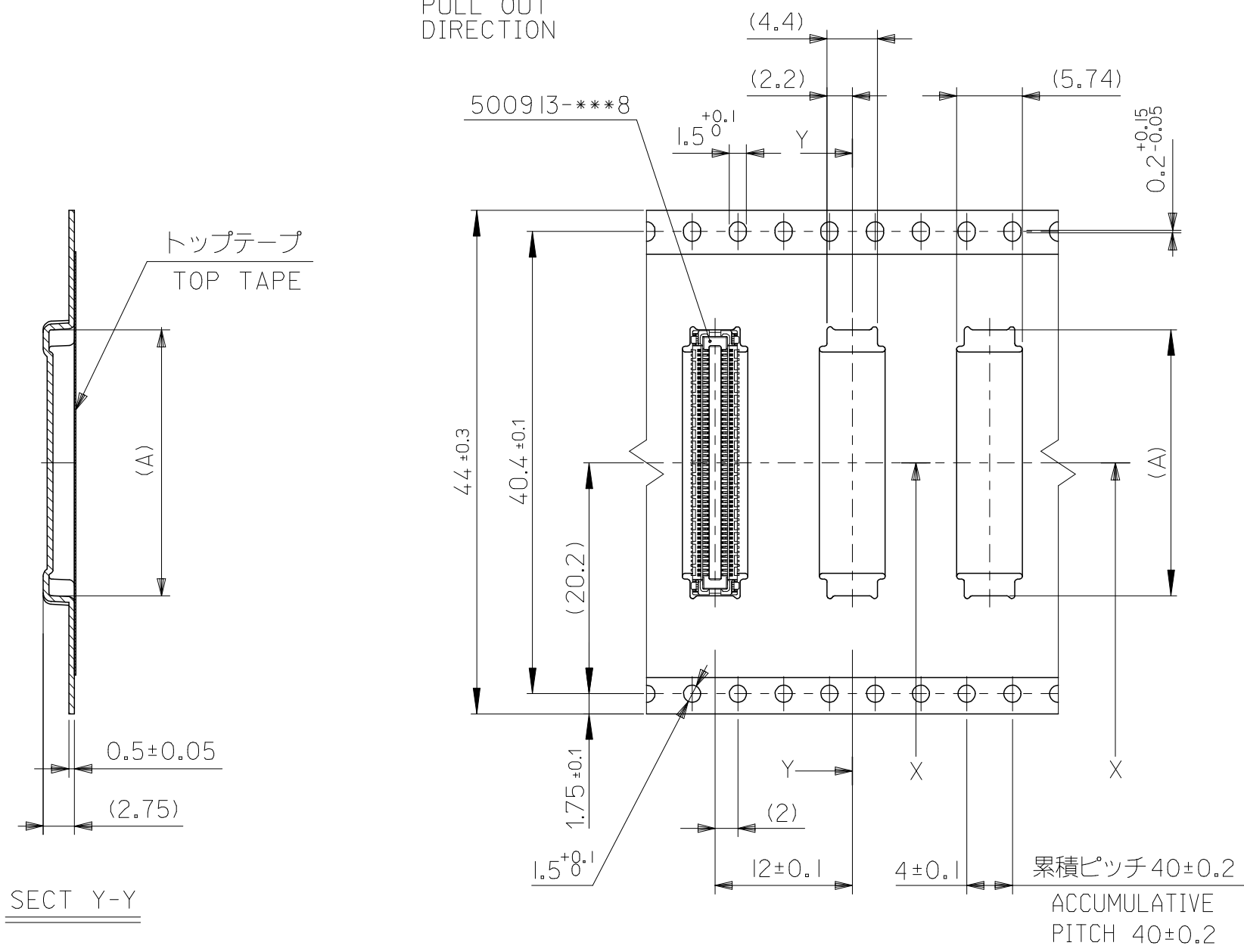


32mm幅キャリアテープ
32mm WIDTH CARRIER TAPE

32	41.4	37.4	21.26	500913-0902	90
	37.4	33.4	17.26	500913-0702	70
キャリアテープ幅 CARRIER TAPE WIDTH	C	B	(A)	MATERIAL NO.	CIRCUIT

REVISED EC NO: J2007-1419 DRWN: MNABEI 2006/11/16 CHKD: KTOYODA 2006/11/20 APPR: NUKITA 2006/11/21	DESCRIPTION	GENERAL TOLERANCES (UNLESS SPECIFIED)		DIMENSION STYLE MM ONLY		500913-***2		MODEL NO.		
		10 UNDER	±---	DRAWN BY	DATE	SCALE	DESIGN UNITS	THIRD ANGLE PROJECTION		
		10 OVER 30 UNDER	±---	R. SUMIYA	2004/04/19	2:1	METRIC			
		30 OVER	±---	CHECKED BY	DATE	TITLE				
		ANGULAR	±--- °	M. SASAO	2004/04/19	0.4 B-TO-B REC HSG ASSY (HGT=1.8) EMBSTP PKG -LEAD FREE-				
DRAFT WHERE APPLICABLE MUST REMAIN WITHIN DIMENSIONS		APPROVED BY		DATE	MOLEX INCORPORATED					
		M. SASAO		2004/04/19	MATERIAL NO.		DOCUMENT NO.		SHEET NO.	
		SEE CHART				SD-500913-002		3 OF 4		
		SIZE A3		THIS DRAWING CONTAINS INFORMATION THAT IS PROPRIETARY TO MOLEX INCORPORATED AND SHOULD NOT BE USED WITHOUT WRITTEN PERMISSION						

引き出し方向
PULL OUT
DIRECTION



44	49.4	45.4	23.26	500913-1002	100
キャリアテープ幅 CARRIER TAPE WIDTH	C	B	(A)	MATERIAL NO.	CIRCUIT

500913-***2			MODEL NO.		
SCALE 2:1	DESIGN UNITS METRIC	THIRD ANGLE PROJECTION			

REVISED EC NO: J2007-1419 DRWN: MNABEI CHKD: KTOYD0A APPR: NUKITA	DESCRIPTION	GENERAL TOLERANCES (UNLESS SPECIFIED)	DIMENSION STYLE MM ONLY
	REV	10 UNDER ±---	DRAWN BY DATE Y. SAKIYA 2004/07/30
		10 OVER 30 UNDER ±---	CHECKED BY DATE M. SASAO 2004/07/30
		30 OVER ±---	APPROVED BY DATE M. SASAO 2004/07/30
		ANGULAR ±--- °	MATERIAL NO. SEE CHART
	DRAFT WHERE APPLICABLE MUST REMAIN WITHIN DIMENSIONS		SIZE A3

TITLE 0.4 B-TO-B REC HSG ASSY (HGT=1.8) EMBSTP PKG -LEAD FREE-		
MOLEX INCORPORATED		SHEET NO. 4 OF 4
DOCUMENT NO. SD-500913-002		