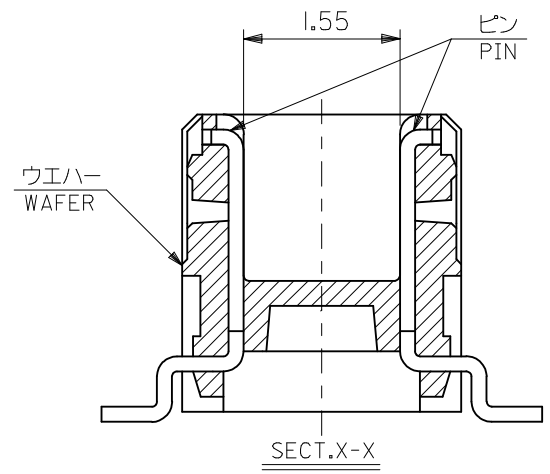


参考基板レイアウト (マウント面)
 RECOMMENDED P.C.BOARD
 PATTERN DIMENSION. (REF.)
 (MOUNTING AREA)



24.64	23.6	25.55	501017-1203	120
C	B	A	EMBOSSED TAPE PACKAGE	極数
			オーダー番号 ORDER NO.	CIRCUITS

CONNECTOR SERIES No. : 501017-1209

MATERIAL
 材料
 注記参照
 SEE NOTES

RELEASED
 EC NO: J2015-0134
 DRWN: YSAT006 2014/07/24
 CHKD: KTANAKA03 2014/07/28
 APPR: KMORIKAWA 2014/07/28

DESCRIPTION
 GENERAL TOLERANCES (UNLESS SPECIFIED)
 10 UNDER ±0.2
 10 OVER 30 UNDER ±0.25
 30 OVER ±0.3
 ANGULAR ±---°
 DRAFT WHERE APPLICABLE
 MUST REMAIN WITHIN DIMENSIONS

DIMENSION STYLE
 MM ONLY

DRAWN BY YSAT006 DATE 2014/07/24
 CHECKED BY KTANAKA03 DATE 2014/07/28
 APPROVED BY KMORIKAWA DATE 2014/07/28

MATERIAL NO.
 SEE CHART

SIZE
 A3

SCALE ---
 DESIGN UNITS METRIC
 THIRD ANGLE PROJECTION

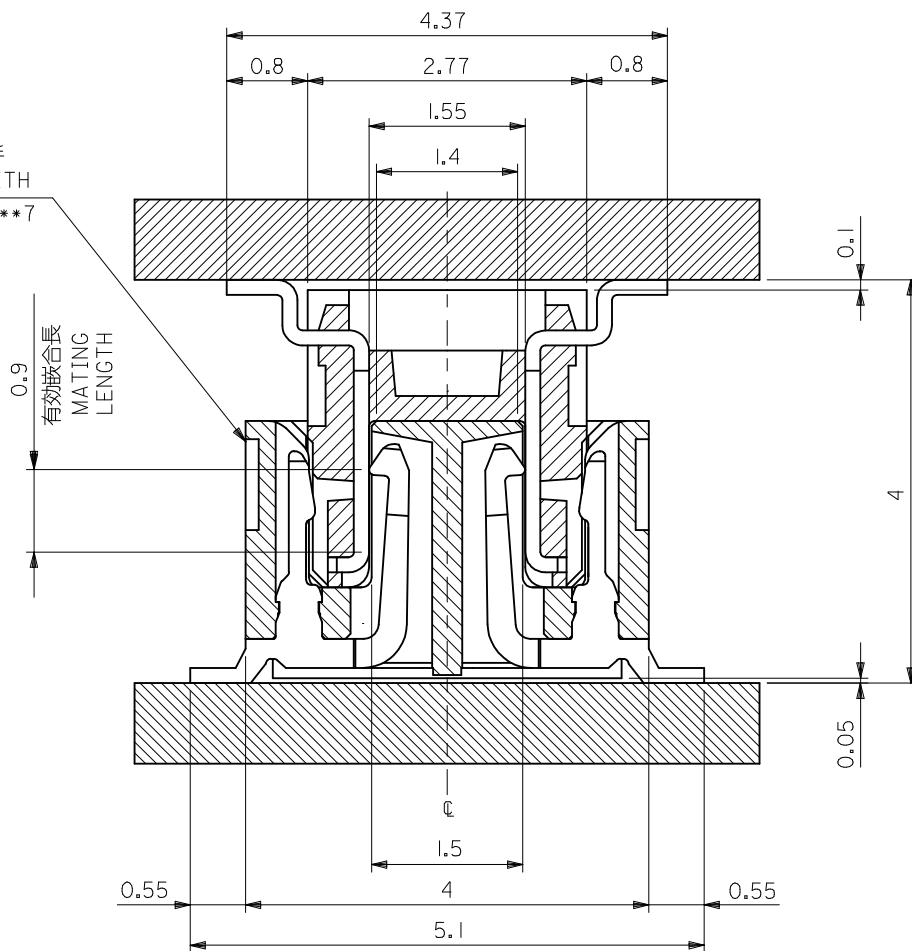
TITLE
 0.4 BB CONN. H=4.0
 PLUG ASSY. WITHOUT BOSS

molex

DOCUMENT NO. SD-501017-005
 SHEET NO. 1 OF 2

THIS DRAWING CONTAINS INFORMATION THAT IS PROPRIETARY TO MOLEX
 INCORPORATED AND SHOULD NOT BE USED WITHOUT WRITTEN PERMISSION

嵌合相手
MATE WITH
54684-***7



嵌合断面図 (参考)
MATED DRAWING (REF.)

注記 NOTES:

1. 使用材料 MATERIAL
 ウエハー: 液晶ポリマー ガラス充填 UL94V-0 茶色
 WAFER: LIQUID CRYSTAL POLYMER
 GLASS FILLED UL94V-0
 COLOR BROWN
 ピン: リン青銅 (t=0.15)
 PIN: PHOSPHOR BRONZE (t=0.15)
2. メッキ仕様 PLATING
 金メッキ 0.25 マイクロメートル以上 (コンタクト部)
 GOLD 0.25 MICROMETER MINIMUM (CONTACT AREA)
 金メッキ 0.4 マイクロメートル以下 (テール部)
 GOLD 0.4 MICROMETER MAXIMUM (TAIL AREA)
 下地メッキ: ニッケルメッキ 1.5 マイクロメートル以上
 UNDER PLATING: NICKEL 1.5 MICROMETER MINIMUM
- △ (全極数/2) = 偶数の場合に適用。
 APPLY FOR (CIRCUIT/2) = EVEN.
4. 嵌合相手: 54684 シリーズ
 MATE WITH: 54684 SERIES.
5. テール平坦度は、0.10 MAX.
 TAIL COPLANARITY TO BE 0.10 MAX.
 又、テール半田付け面の位置はウエハーの底面 [X] に対し
 上方向に0、下方向に0.15 MAX.とする。
 MISALIGNMENT OF SOLDER TAILS FROM [X]
 : UPPER DIRECTION 0
 : LOWER DIRECTION 0.15 MAX.

MATERIAL 材料	SHEET 1 OF 2 参照 REFER TO SHEET 1 OF 2	RELEASED EC NO: J2015-0134 DRWN: YSAT006 2014/07/24 CHKD: KTANAKA03 2014/07/28 APPR: KMORIKAWA 2014/07/28	DESCRIPTION REV: 0	GENERAL TOLERANCES (UNLESS SPECIFIED)		DIMENSION STYLE MM ONLY		SCALE ---	DESIGN UNITS METRIC	THIRD ANGLE PROJECTION	
				10 UNDER	±0.2	DRAWN BY YSAT006	DATE 2014/07/24	TITLE 0.4 BB CONN. H=4.0 PLUG ASSY. WITHOUT BOSS			
				10 OVER 30 UNDER	±0.25	CHECKED BY KTANAKA03	DATE 2014/07/28				
				30 OVER	±0.3	APPROVED BY KMORIKAWA	DATE 2014/07/28				
ANGULAR ±---°				MATERIAL NO. SEE CHART		DOCUMENT NO. SD-501017-005		SHEET NO. 2 OF 2			
DRAFT WHERE APPLICABLE MUST REMAIN WITHIN DIMENSIONS				THIS DRAWING CONTAINS INFORMATION THAT IS PROPRIETARY TO MOLEX INCORPORATED AND SHOULD NOT BE USED WITHOUT WRITTEN PERMISSION							