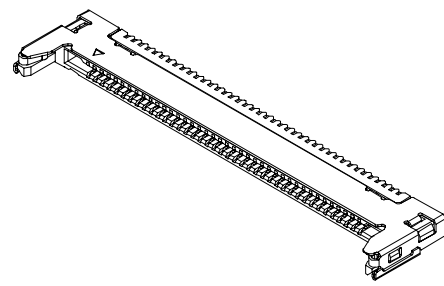
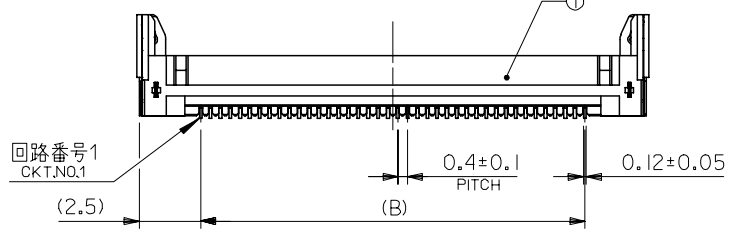
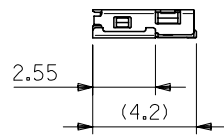
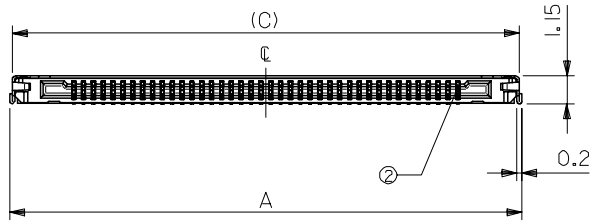
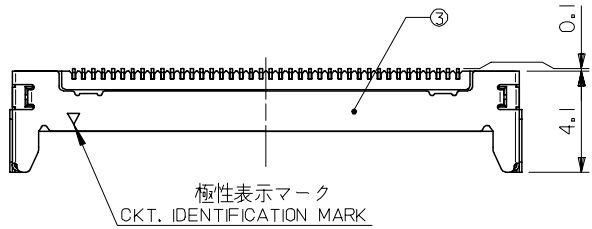


10 9 8 7 6 5 4 3 2 1

番号 NO.	部品 PART NAME	材料/仕上げ MATERIAL/ FINISH
①	ハウジング HOUSING	ガラス入り耐熱樹脂、黒色、UL94V-0 G.F.HEAT RESISTANT PLASTIC, BLACK, UL94V-0
②	ターミナル TERMINAL	銅合金 COPPER ALLOY 接点部 : 金メッキ0.2μm MIN. CONTACT AREA : GOLD 0.2μm MIN. テール部 : 金メッキ0.4μm MAX. TAIL AREA : GOLD 0.4μm MAX. 下地めっき : ニッケルメッキ1.5μm MIN. UNDER PLATING : NICKEL 1.5μm MIN.
③	シェル SHELL	ステンレス鋼 STAINLESS STEEL 半田付け処理 SOLDERABILITY IMPROVEMENT COAT (Au COAT) 下地めっき : ニッケルメッキ1.0μm MIN. UNDER PLATING : NICKEL 1.0μm MIN.



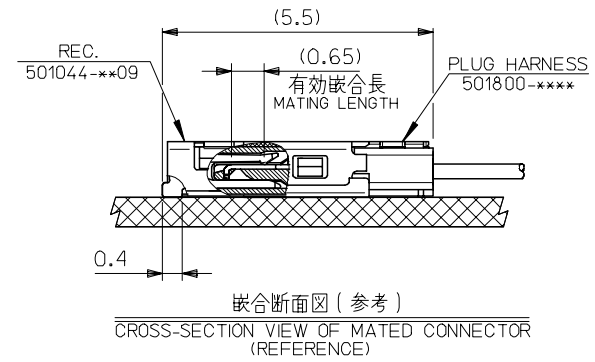
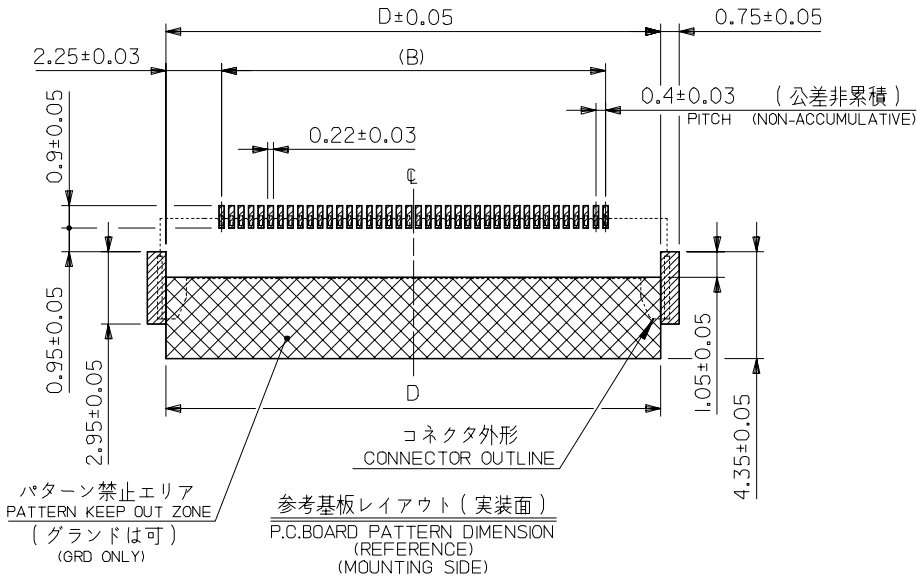
注記
NOTES

- 1. テール及びネールの平坦度は0.1MAX.
TAIL AND NAIL COPLANARITY TO BE 0.1MAX.

24.1	24.6	19.6	24.8	501044-5009	50
20.1	20.6	15.6	20.8	501044-4009	40
16.1	16.6	11.6	16.8	501044-3009	30
D	C	B	A	製品番号 MATERIAL NO.	極数 CKT.
				MODEL NO.	501044-**09

REVISED EC NO: J2007-1019 DRWNGYORIFUJI 2006/10/06 CHKD:TKANEKO 2006/10/06 APPR:TKANEKO 2006/10/10	DESCRIPTION G	GENERAL TOLERANCES (UNLESS SPECIFIED)		DIMENSION STYLE MM ONLY		SCALE 5:1	DESIGN UNITS METRIC	THIRD ANGLE PROJECTION	
		10 UNDER	±0.2	DRAWN BY KTAKETOMI	DATE 2004/02/10	TITLE 0.4 WIRE TO BOARD CONN. REC. HOUSING ASSEMBLY SIDE ENTRY -LEAD FREE-	MOLEX INCORPORATED		
10 ^{OVER} 30 UNDER	±0.25	CHECKED BY TKANEKO	DATE 2004/02/10	APPROVED BY AHORINO	DATE 2004/02/10	DOCUMENT NO. SD-501044-001			
30 ^{OVER}	±0.3	ANGULAR ±3 °		MATERIAL NO. SEE CHART					
DRAFT WHERE APPLICABLE MUST REMAIN WITHIN DIMENSIONS		SIZE A3		THIS DRAWING CONTAINS INFORMATION THAT IS PROPRIETARY TO MOLEX INCORPORATED AND SHOULD NOT BE USED WITHOUT WRITTEN PERMISSION					

10 9 8 7 6 5 4 3 2 1



F

E

D

C

B

A

F

E

D

C

B

A

REVISED EC NO: J2007-1019 DRWNG: DRIFUJ1 2006/10/06 CHKD: TKANEKO 2006/10/06 APPR: TKANEKO 2006/10/10 G	DESCRIPTION GENERAL TOLERANCES (UNLESS SPECIFIED)	10 UNDER	±0.2	DIMENSION STYLE MM ONLY	SCALE 5:1	DESIGN UNITS METRIC	THIRD ANGLE PROJECTION	
		10 ^{OVER} 30 UNDER	±0.25					
		30 ^{OVER}	±0.3					
		ANGULAR	±3 °					
		DRAFT WHERE APPLICABLE MUST REMAIN WITHIN DIMENSIONS						
DRAWN BY KTAKETOMI		DATE 2004/02/10		TITLE 0.4 WIRE TO BOARD CONN. REC.HOUSING ASSEMBLY SIDE ENTRY -LEAD FREE-				
CHECKED BY TKANEKO		DATE 2004/02/10		MOLEX INCORPORATED				
APPROVED BY AHORINO		DATE 2004/02/10		MATERIAL NO. SEE 1 OF 2		DOCUMENT NO. SD-501044-001		SHEET NO. 2 OF 2
THIS DRAWING CONTAINS INFORMATION THAT IS PROPRIETARY TO MOLEX INCORPORATED AND SHOULD NOT BE USED WITHOUT WRITTEN PERMISSION								

9

8

7

6

5

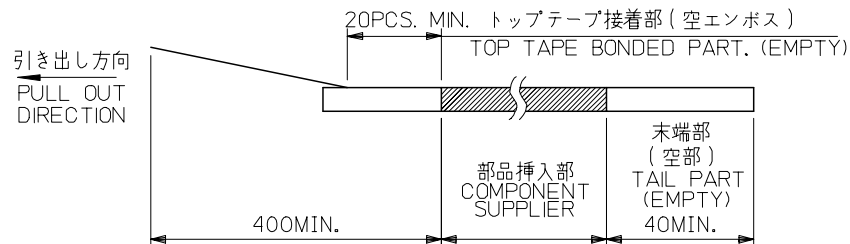
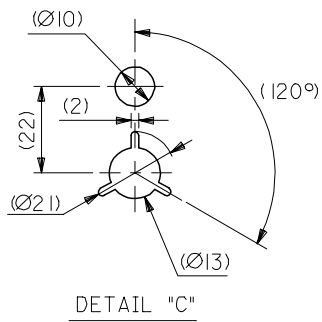
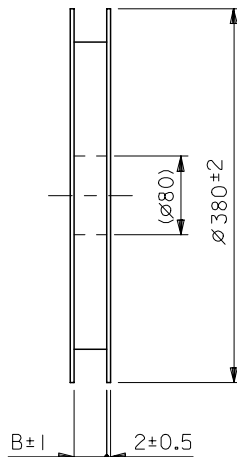
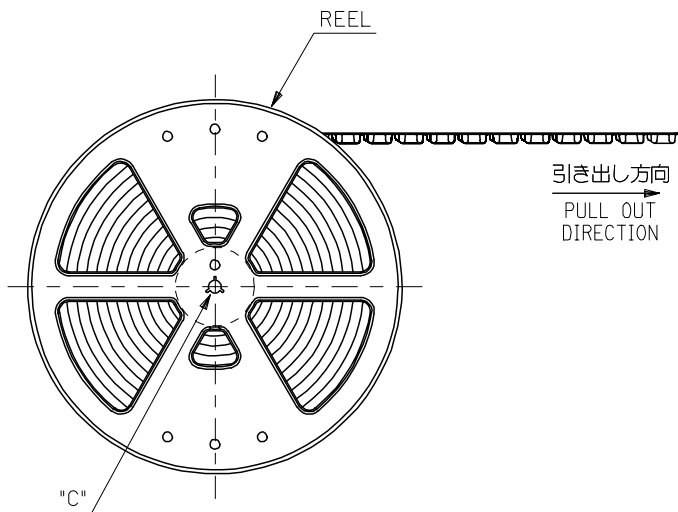
4

3

2

注記 NOTES

- 製品詳細寸法については図面 SD-501044-001 を参照下さい。
RE DETAILED DIMENSION, SEE SD-501044-001
- 梱包数量：3500 個/リール
NUMBER OF CONNECTORS : 3500PCS/REEL
- リードテープ長さ LEAD TAPE LENGTH



- トップテープの剥離強度：0.1N~0.7N(10.2gf~71.4gf)
(剥離方向は下図参照)
尚、本規格値は出荷時に適用。(但し、輸送時に剥離が発生しないこと。)
PEELING OFF FORCE OF TOP TAPE : 0.1N~0.7N(10.2gf~71.4gf)
(PEELING DIRECTION AS SHOWN IN FOLLOWING FIG.)
THIS REQUIREMENT SHOULD BE APPLIED AT SHIPMENT.
PEEL OFF SHOULD NOT BE ALLOWED , DURING TRANSPORTION.



- 材料 MATERIAL
キャリアテープ (CARRIER TAPE) : ホリプロビレン(POLYPROPYLENE)
トップテープ (TOP TAPE) : PET , PE , PEF
リール (REEL) : ホリスチレン (PS) <リサイクル材を含む>
POLYSTYRENE (PS) <RECYCLE MATERIAL CONTAINED>

MODEL NO. 501044-**10

REVISED EC NO: J2007-1508 DRWNG: DRIFUJI 2006/11/27 CHKD: KANEKO 2006/11/27 APPR: KANEKO 2006/11/27	GENERAL TOLERANCES (UNLESS SPECIFIED)		DIMENSION STYLE MM ONLY		SCALE 1:1	DESIGN UNITS METRIC	THIRD ANGLE PROJECTION
	10 UNDER	± 0.2	DRAWN BY KTAKETOMI	DATE 2004/12/10	TITLE 0.4 W/B CONN. REC. HSG ASSY SIDE ENTRY EMBOSSSED TAPE PACKAGE		
	10 OVER 30 UNDER	± 0.25	CHECKED BY TKANEKO	DATE 2004/12/10	MOLEX INCORPORATED		
	30 OVER	± 0.3	APPROVED BY AHORINO	DATE 2004/12/10	DOCUMENT NO. SD-501044-002		
	ANGULAR	± 3 °	MATERIAL NO. SEE CHART		SHEET NO. 1 OF 3		
A	DRAFT WHERE APPLICABLE MUST REMAIN WITHIN DIMENSIONS		SIZE A3		THIS DRAWING CONTAINS INFORMATION THAT IS PROPRIETARY TO MOLEX INCORPORATED AND SHOULD NOT BE USED WITHOUT WRITTEN PERMISSION		

10 9 8 7 6 5 4 3 2 1

F

E

D

C

B

A

F

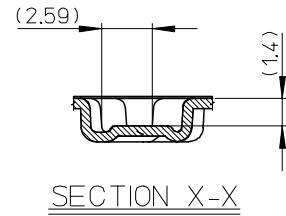
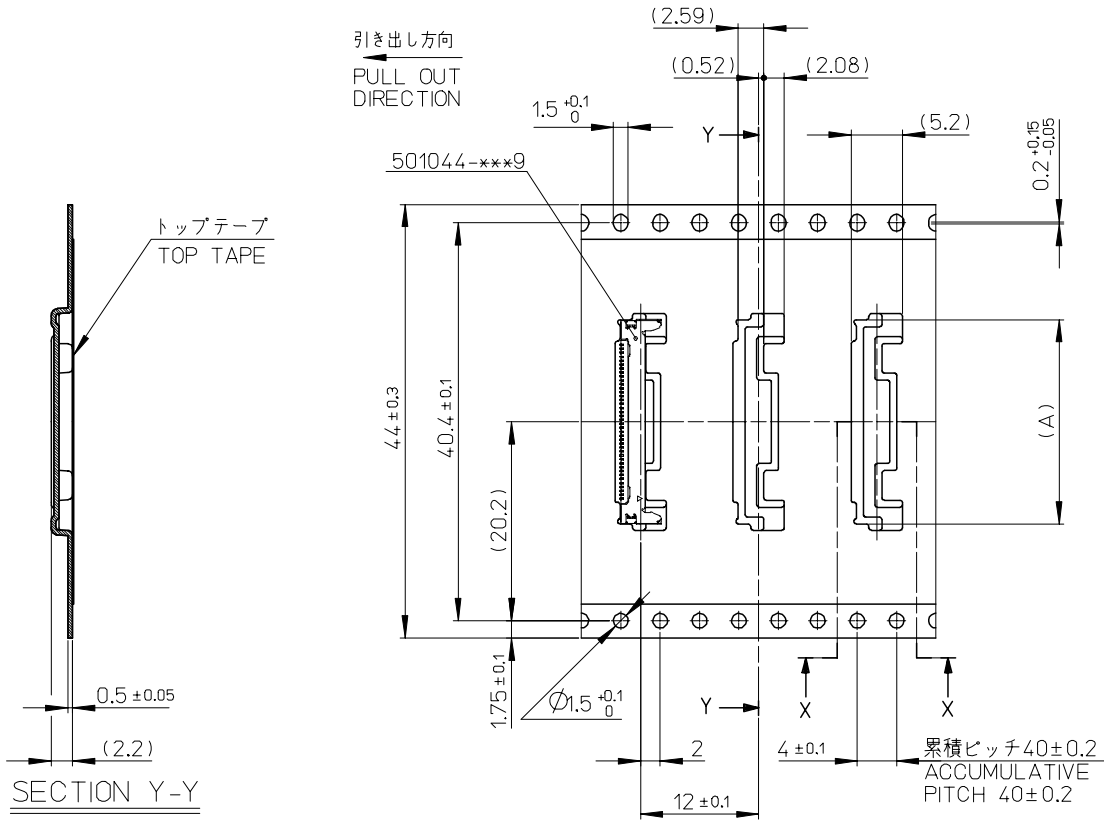
E

D

C

B

A



44mm幅キャリアテープ
44mm WIDTH CARRIER TAPE

44	45.5	24.74	501044-5010	50
		20.74	501044-4010	40
キャリアテープ幅 CARRIER TAPE WIDTH	B	(A)	製品番号 MATERIAL NO.	極数 CKT.
			MODEL NO.	501044-**10

REVISED EC NO: J2007-1508 DRWNGYR/FUJI 2006/11/27 CHKD:TKANEKO 2006/11/27 APPR:TKANEKO 2006/11/27	GENERAL TOLERANCES (UNLESS SPECIFIED)		DIMENSION STYLE MM ONLY	SCALE 1:1	DESIGN UNITS METRIC	THIRD ANGLE PROJECTION
	10 UNDER	±0.2	DRAWN BY KTAKETOMI	DATE 2004/12/10	TITLE 0.4 W/B CONN. REC. HSG ASSY SIDE ENTRY EMBOSSSED TAPE PACKAGE	
	10 OVER 30 UNDER	±0.25	CHECKED BY TKANEKO	DATE 2004/12/10	MOLEX INCORPORATED	
	30 OVER	±0.3	APPROVED BY AHORINO	DATE 2004/12/10	SHEET NO. 2 OF 3	
	ANGULAR	±3 °	MATERIAL NO. SEE CHART		DOCUMENT NO. SD-501044-002	
DRAFT WHERE APPLICABLE MUST REMAIN WITHIN DIMENSIONS		THIS DRAWING CONTAINS INFORMATION THAT IS PROPRIETARY TO MOLEX INCORPORATED AND SHOULD NOT BE USED WITHOUT WRITTEN PERMISSION				

9

8

7

6

5

4

3

2

10 9 8 7 6 5 4 3 2 1

F

E

D

C

B

A

F

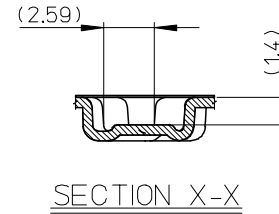
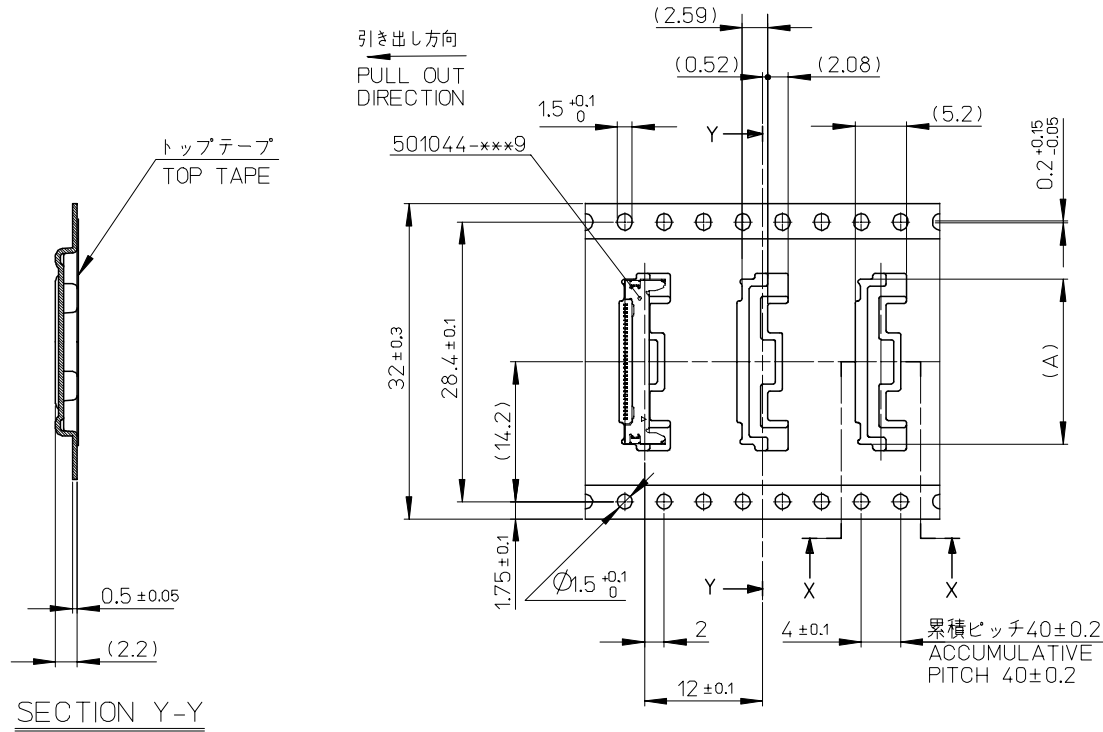
E

D

C

B

A



SECTION Y-Y

32mm幅キャリアテープ
32mm WIDTH CARRIER TAPE

32	33.5	16.74	501044-3010	30
キャリアテープ幅 CARRIER TAPE WIDTH	B	(A)	製品番号 MATERIAL NO.	極数 CKT.
MODEL NO.			501044-***10	

REVISED EC NO: J2007-1508 DRWNG: YRIFUJI 2006/11/27 CHKD: TKANEKO 2006/11/27 APPR: TKANEKO 2006/11/27	GENERAL TOLERANCES (UNLESS SPECIFIED)		DIMENSION STYLE MM ONLY		SCALE 1:1	DESIGN UNITS METRIC	THIRD ANGLE PROJECTION		
	10 UNDER	±0.2	DRAWN BY KTAKETOMI	DATE 2004/12/10	TITLE 0.4 W/B CONN. REC. HSG ASSY SIDE ENTRY EMBOSSED TAPE PACKAGE MOLEX INCORPORATED				
	10 OVER 30 UNDER	±0.25	CHECKED BY TKANEKO	DATE 2004/12/10					
	30 OVER	±0.3	APPROVED BY AHORINO	DATE 2004/12/10					
ANGULAR ±3 °		DRAFT WHERE APPLICABLE MUST REMAIN WITHIN DIMENSIONS		MATERIAL NO.	DOCUMENT NO. SD-501044-002	SHEET NO. 3 OF 3			
A		A3		SEE CHART				THIS DRAWING CONTAINS INFORMATION THAT IS PROPRIETARY TO MOLEX INCORPORATED AND SHOULD NOT BE USED WITHOUT WRITTEN PERMISSION	