

**NOTE**

- 1. 材料及び仕上げ(めっき仕様) : TABLE 1 参照  
MATERIAL AND FINISHES : SEE TABLE 1
- 2. 製品仕様書 : 5011890000-PS 001  
PRODUCT SPECIFICATION:
- 3. 梱包形態 : SEE SHEET 3  
PACKAGING INFORMATION:
- 4. 嵌合相手 : 501189 シリーズ  
MATES WITH:501189 SERIES
- 5. アプリケーション仕様書(コネクタ取扱い説明書) : 5011890000-AS 000  
APPLICATION SPECIFICATION(CONNECTOR MANUAL):
- 6. ソルダピン及びネイルの平坦度:0.1 mm MAX.  
SOLDER PIN AND NAIL COPLANARITY: 0.1 mm MAX.
- 7. 極数/2=偶数に適用  
APPLICABLE FOR CIRCUIT SIZE/2 = EVEN
- 8. 本製品は複数の金めっき厚を展開しております。その他の金めっき厚は以下の図面を御参照下さい。  
THIS PRODUCT EXIST MULTIPLE GOLD PLATING.  
PLEASE REFER TO THE FOLLOWING DRAWING FOR OTHER GOLD PLATING THICKNESS.

GOLD PLATING THICKNESS [MICRO-METER MIN.]	SERIES No.	DRAWING No.
0.38	203564	2035640000-SD PSD 000
0.76	203565	2035650000-SD PSD 000

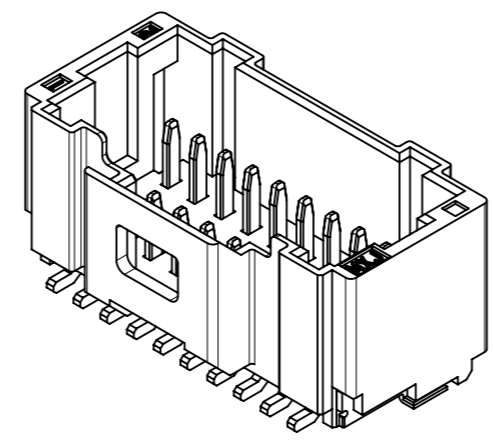
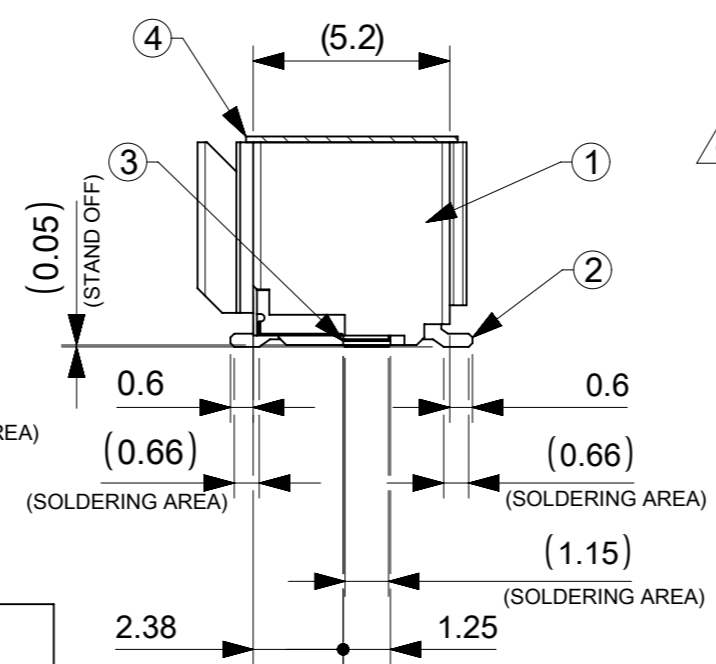
9. 発注番号 : TABLE 2 参照  
ORDER No. : SEE TABLE 2

**501190**    \*\* \* \*

極数 CIRCUIT SIZE	ハウジングカラー HOUSING COLOR 1:NATURAL(BEIGE)	製品識別番号 IDENTIFICATION NUMBER 7:EMBOSSED PACKAGE
--------------------	---	---

1 TABLE 1

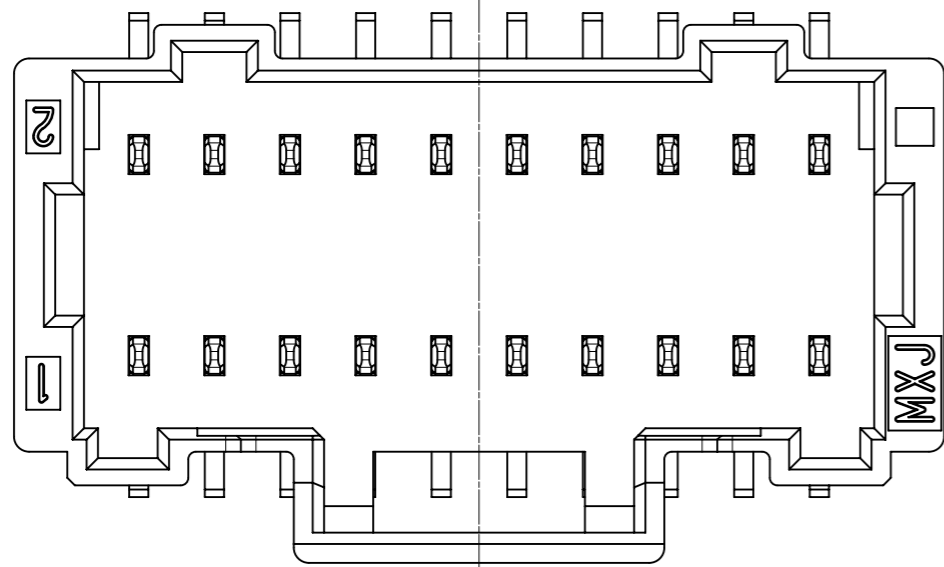
番号 NO.	部品 PART	材質 MATERIAL	
1	ウエハー WAFER	ポリアミド(PA), UL94V-0, 色 : SEE TABLE 2 POLYAMIDE(PA), UL94V-0, COLOR : SEE TABLE 2	
2	ソルダーピン SOLDER PIN	リン青銅 PHOSPHOR BRONZE	
		接点部 CONTACT AREA	金めっき : 0.1 MICRO-METER MIN. GOLD PLATING
		テール部 TAIL AREA	金めっき GOLD PLATING
3	ネイル NAIL	下地めっき UNDER PLATING	ニッケルめっき : 1.0 MICRO-METER MIN. NICKEL
		テール部 TAIL AREA	錫めっき : 1.0 MICRO-METER MIN. MATTE TIN PLATING
4	カバーテープ COVER TAPE	ポリイミドテープ POLYIMIDE TAPE	



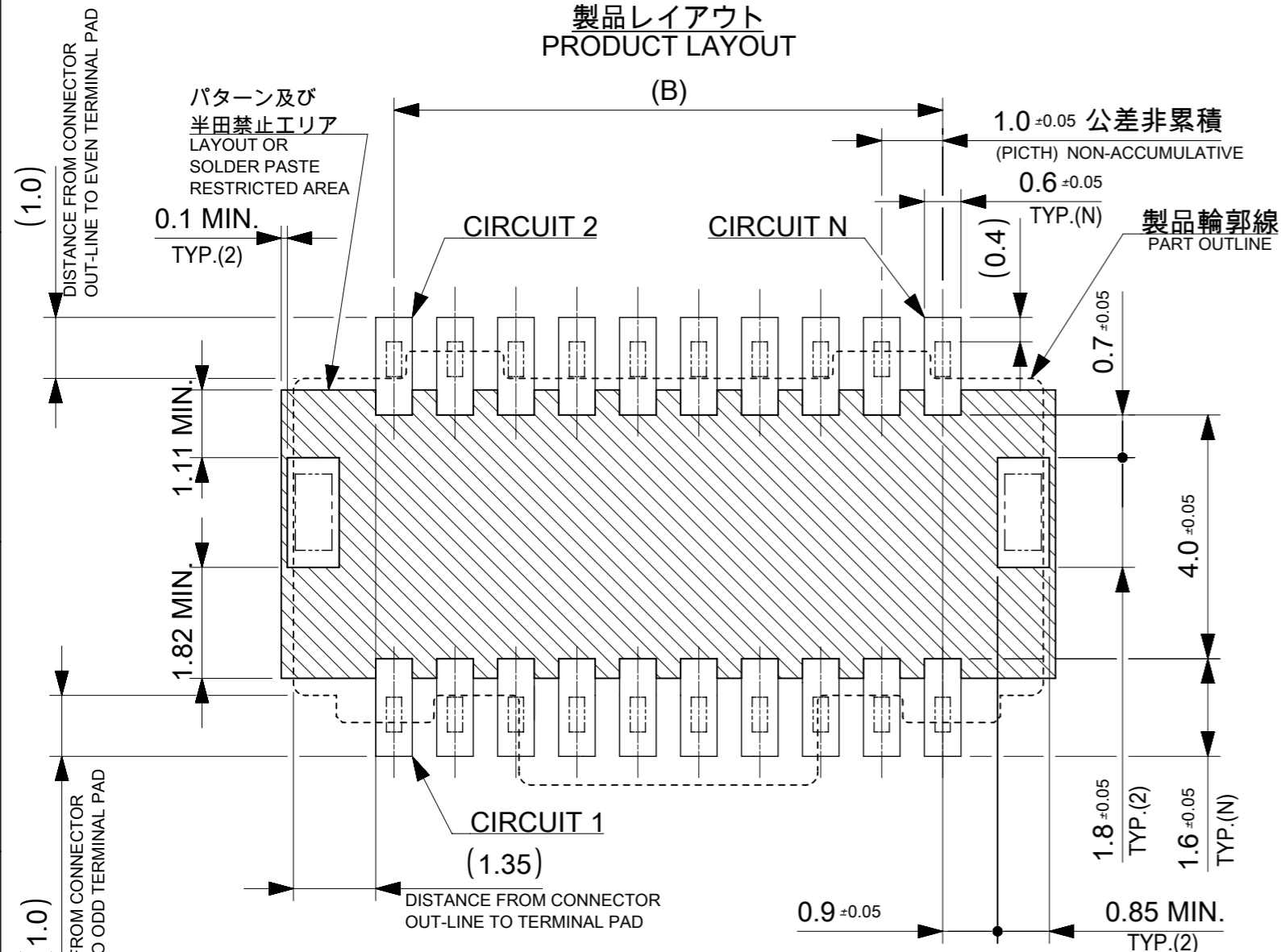
9 TABLE 2

			HOUSING COLOR	
			NATURAL(WHITE)	
26.8	24.0	27.3	501190 5017	50
21.8	19.0	22.3	501190 4017	40
16.8	14.0	17.3	501190 3017	30
11.8	9.0	12.3	501190 2017	20
C	B	A	発注番号 ORDER No.	極数 CIRCUIT SIZE
極数別 寸法 DIMENSION			梱包形態 : エンボスリール PACKAGE:EMBOSSED REEL	

THIS DRAWING CONTAINS INFORMATION THAT IS PROPRIETARY TO MOLEX ELECTRONIC TECHNOLOGIES, LLC AND SHOULD NOT BE USED WITHOUT WRITTEN PERMISSION		CURRENT REV DESC:		<b>molex</b>	
DIMENSION UNITS	SCALE				
mm	NTS			PICO-CLASP 1.0 W/B DUAL ROW VT SMT GOLD PLATING 0.1 MICRO-METER	
GENERAL TOLERANCES (UNLESS SPECIFIED)		EC NO: 615136		DOCUMENT NUMBER	
ANGULAR TOL ± 3.0 °		DRWN: AISHIKAWA 2019/09/05		5011900000-SD	
4 PLACES ± 0.2		CHK'D: AIDA 2019/09/11		DOC TYPE DOC PART REVISION	
3 PLACES ± 0.2		APPR: SAKIYAMA 2019/09/17		PSD 000 B	
2 PLACES ± 0.2		INITIAL REVISION:		PRODUCT CUSTOMER DRAWING	
1 PLACE ± 0.2		DRWN: AISHIKAWA 2019/03/19			
0 PLACES ± 0.2		APPR: KOMURAKAMI 2019/04/03			
DRAFT WHERE APPLICABLE MUST REMAIN WITHIN DIMENSIONS		THIRD ANGLE PROJECTION	DRAWING	SERIES	MATERIAL NUMBER
			A3-SIZE	501190	SEE SHEET 5
				CUSTOMER	SHEET NUMBER
					1 OF 4




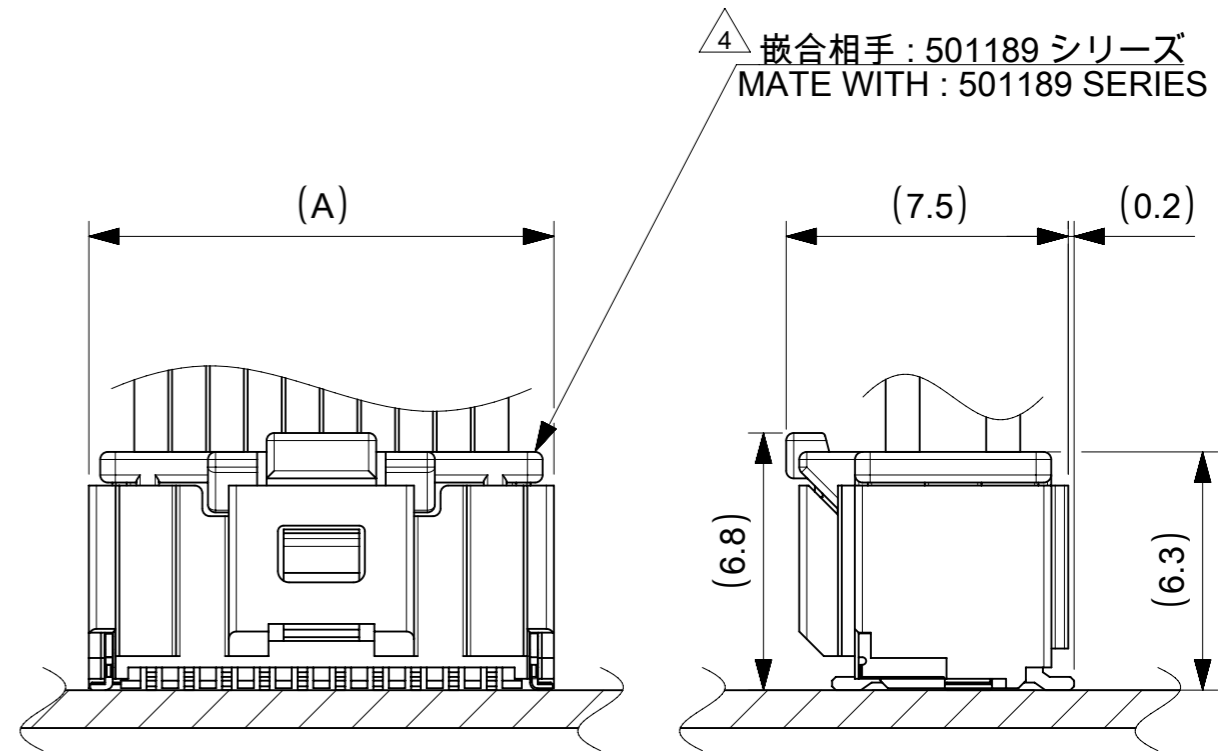
製品レイアウト  
PRODUCT LAYOUT



推奨基板レイアウト(全極数適応) : 実装面側  
(参考 : 基板厚 1.0mm, メタルマスク厚さ 0.12mm, マスク開口率100%)

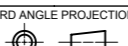
POLARIZED RECOMMENDED PCB LAYOUT(APPLY TO ALL CIRCUIT) : COMPONENT SIDE  
(REFERENCE: PCB THICKNESS 1.0mm, STENCIL THICKNESS 0.12mm, APERTURE RATIO 100%)

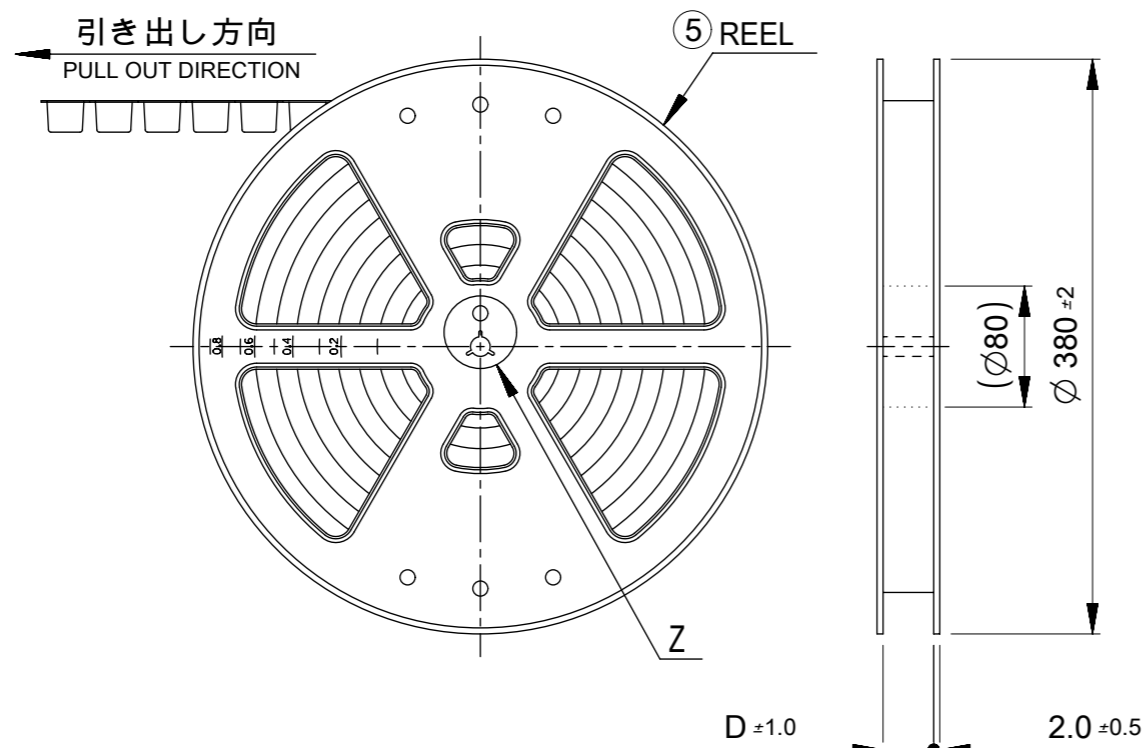
 :パターン禁止エリア  
RESTRICTED AREA  
NO PCB COMPONENTS ALLOWED



嵌合図  
MATED CONNECTORS

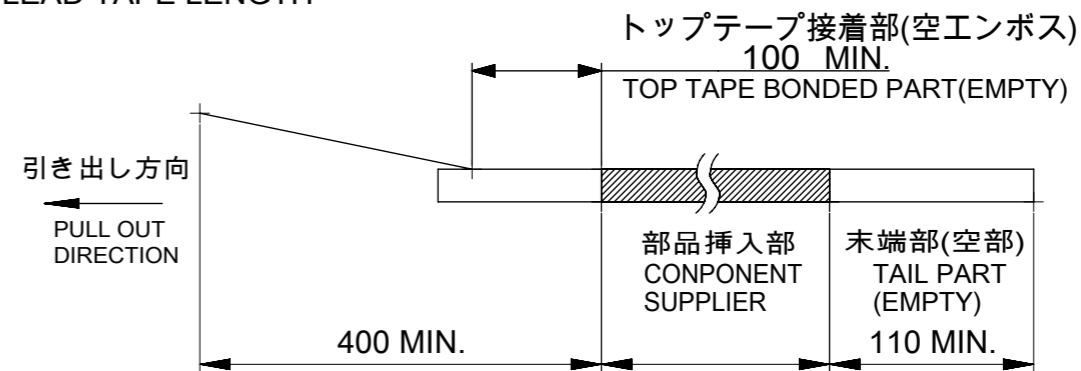
4 嵌合相手 : 501189 シリーズ  
MATE WITH : 501189 SERIES

THIS DRAWING CONTAINS INFORMATION THAT IS PROPRIETARY TO MOLEX ELECTRONIC TECHNOLOGIES, LLC AND SHOULD NOT BE USED WITHOUT WRITTEN PERMISSION		CURRENT REV DESC:		<b>molex</b>	
DIMENSION UNITS	SCALE				
mm	NTS			PICO-CLASP 1.0 W/B DUAL ROW VT SMT GOLD PLATING 0.1 MICRO-METER	
GENERAL TOLERANCES (UNLESS SPECIFIED)		EC NO: 615136		DOCUMENT NUMBER	
ANGULAR TOL	± 3.0 °	DRWN: AISHIKAWA	2019/09/05	5011900000-SD	
4 PLACES	± 0.2	CHK'D: AIDA	2019/09/11	DOC TYPE	DOC PART
3 PLACES	± 0.2	APPR: SAKIYAMA	2019/09/17	PSD	000
2 PLACES	± 0.2	INITIAL REVISION:		REVISION	B
1 PLACE	± 0.2	DRWN: AISHIKAWA	2019/03/19		
0 PLACES	± 0.2	APPR: KOMURAKAMI	2019/04/03		
DRAFT WHERE APPLICABLE MUST REMAIN WITHIN DIMENSIONS	THIRD ANGLE PROJECTION	DRAWING	SERIES	MATERIAL NUMBER	CUSTOMER
		A3-SIZE	501190	SEE SHEET 5	
DOCUMENT STATUS		RELEASE DATE		SHEET NUMBER	
P1		2019/09/17 08:21:00		2 OF 4	

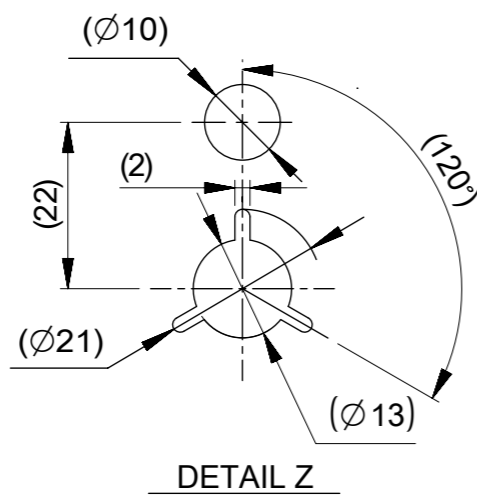


**NOTES**

- 10. 梱包数量:1100個/リール  
NUMBER OF CONNECTORS : 1100 PIECES/REEL
- 11. リードテープ長さ  
LEAD TAPE LENGTH



- 12. トップテープの剥離強度はIEC60286-3に準拠。  
TOP TAPE PEELING FORCE IS DEFINED BY IEC60286-3.
- 13. 梱包仕様書 : SPK-501190-001  
PACKAGE SPECIFICATION:



45.5	50
	40
33.5	30
25.5	20
D	極数 CIRCUIT SIZE

番号 NO.	部品 PART	材質 MATERIAL
⑤	リール REEL	ポリスチレン(PS) <リサイクル材を含む> POLYSTYRENE(PS) <RECYCLE MATERIAL CONTAINED>
DOCUMENT STATUS	P1	RELEASE DATE 2019/09/17 08:21:00

THIS DRAWING CONTAINS INFORMATION THAT IS PROPRIETARY TO MOLEX ELECTRONIC TECHNOLOGIES, LLC AND SHOULD NOT BE USED WITHOUT WRITTEN PERMISSION		CURRENT REV DESC:		<b>molex</b>		
DIMENSION UNITS mm	SCALE NTS	EC NO: 615136				
GENERAL TOLERANCES (UNLESS SPECIFIED)		DRWN: AISHIKAWA 2019/09/05		PRODUCT CUSTOMER DRAWING		
ANGULAR TOL ± 3.0 °		CHK'D: AIDA 2019/09/11		DOCUMENT NUMBER		
4 PLACES ± 0.2		APPR: SAKIYAMA 2019/09/17		5011900000-SD		
3 PLACES ± 0.2		INITIAL REVISION:		DOC TYPE DOC PART REVISION		
2 PLACES ± 0.2		DRWN: AISHIKAWA 2019/03/19		PSD 000 B		
1 PLACE ± 0.2		APPR: KOMURAKAMI 2019/04/03		MATERIAL NUMBER		
0 PLACES ± 0.2		THIRD ANGLE PROJECTION		CUSTOMER		
DRAFT WHERE APPLICABLE MUST REMAIN WITHIN DIMENSIONS		DRAWING A3-SIZE		SHEET NUMBER		
		SERIES 501190		SEE SHEET 5		

44mm幅テープ  
TAPE WIDTH:44mm

32mm幅テープ  
TAPE WIDTH:32mm

24mm幅テープ  
TAPE WIDTH:24mm

⑦ TOP TAPE

⑥ CARRIER TAPE

CIRCUIT 1

CIRCUIT 2

CONNECTOR

SECTION Y-Y

SECTION X-X

DETAIL W

12.0 ±0.1

W

Y

X

X

(G)

(F)

コネクタ中心位置  
CENTER OF CONNECTOR

E ±0.1

D ±0.3

0.5 ±0.05

(6.9)

(5.8)

(6.8)

R(0.75)

1.5 ±0.1  
0.0

0.2 ±0.15  
-0.05

∅1.5 ±0.1  
0.0

(3.45)

(6.9)

(2.0) エンボスポケット中心位置  
CENTER OF EMBOSSED POCKET

累積ピッチ : 40 ±0.2

4.0 ±0.1

引き出し方向  
PULL OUT DIRECTION

27.6	20.2	40.4	44.0	50
22.6				40
17.6	14.2	28.4	32.0	30
12.6	11.5	-	24.0	20
G	コネクタ中心位置 F CENTER OF CONNECTOR	E	エンボステープ幅 D WIDTH OF TAPE	極数 CIRCUIT SIZE

THIS DRAWING CONTAINS INFORMATION THAT IS PROPRIETARY TO MOLEX ELECTRONIC TECHNOLOGIES, LLC AND SHOULD NOT BE USED WITHOUT WRITTEN PERMISSION		CURRENT REV DESC:		<b>molex</b>	
DIMENSION UNITS	SCALE				
mm	NTS			PICO-CLASP 1.0 W/B DUAL ROW VT SMT GOLD PLATING 0.1 MICRO-METER	
GENERAL TOLERANCES (UNLESS SPECIFIED)		EC NO: 615136		DOCUMENT NUMBER	
ANGULAR TOL	± 3.0°	DRWN: AISHIKAWA	2019/09/05	5011900000-SD	
4 PLACES	± 0.2	CHK'D: AIDA	2019/09/11	DOC TYPE	DOC PART
3 PLACES	± 0.2	APPR: SAKIYAMA	2019/09/17	PSD	000
2 PLACES	± 0.2	INITIAL REVISION:		REVISION	B
1 PLACE	± 0.2	DRWN: AISHIKAWA	2019/03/19		
0 PLACES	± 0.2	APPR: KOMURAKAMI	2019/04/03		
DRAFT WHERE APPLICABLE MUST REMAIN WITHIN DIMENSIONS		THIRD ANGLE PROJECTION	DRAWING	SERIES	MATERIAL NUMBER
			A3-SIZE	501190	SEE SHEET 5
		CUSTOMER	SHEET NUMBER		
				4 OF 4	

番号 NO.	部品 PART	材質 MATERIAL
⑥	キャリアテープ CARRIER TAPE	ポリプロピレン(PP)、その他 POLYPROPYLEN(PP), etc
⑦	トップテープ TOP TAPE	ポリエチレン(PE)、その他 POLYETHYLENE(PE), etc

DOCUMENT STATUS	P1	RELEASE DATE	2019/09/17	08:21:00
-----------------	----	--------------	------------	----------