

DWG. NO.  
SD-501266-001

F

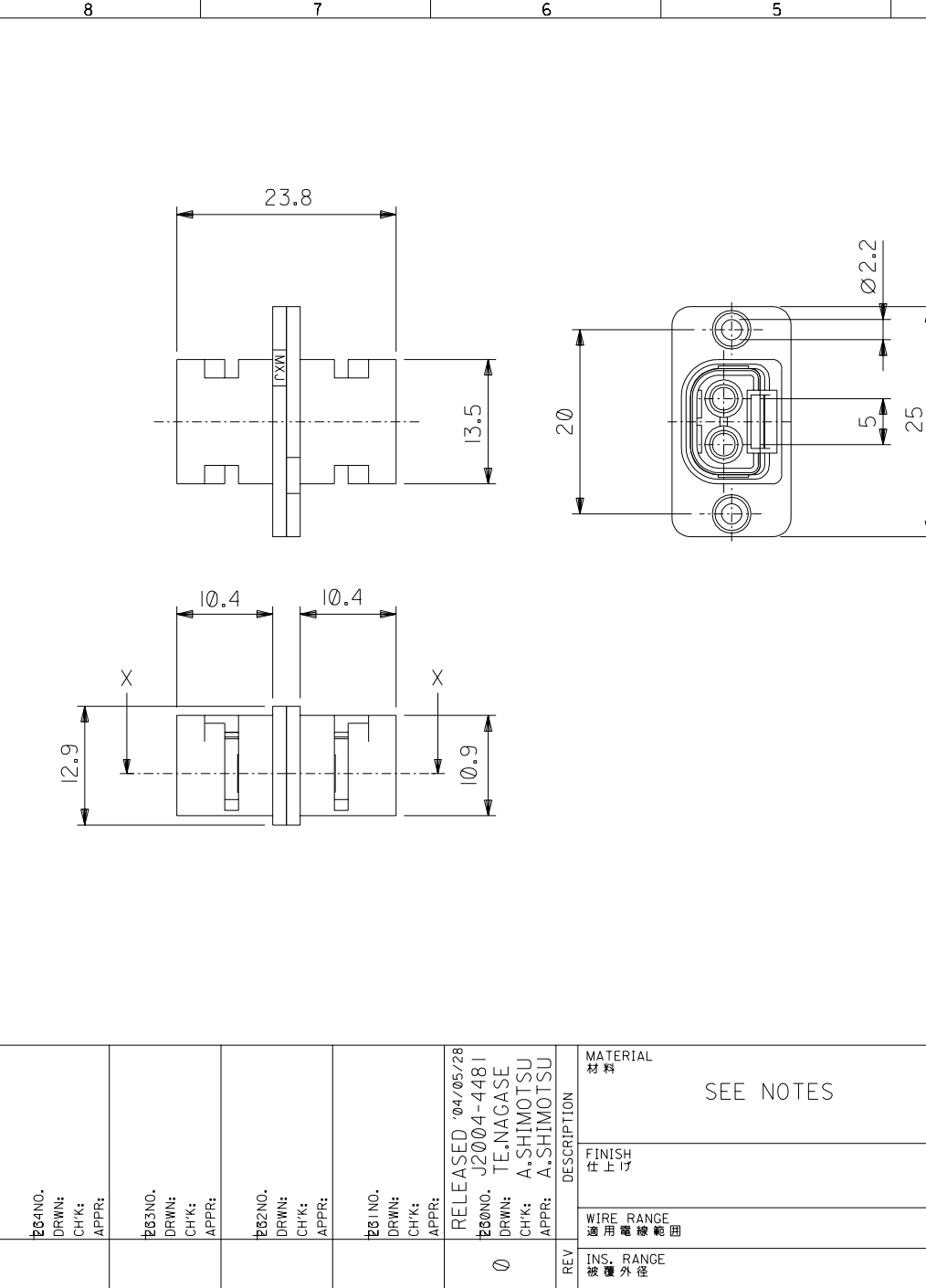
D

V

C

B

DO NOT SCALE DRAWING



NO.	部品名称 PART TITLE	材質 MATERIAL	数量 QT'Y
①	アダプタ パートA ADAPTER PART-A	ポリエステル (ガラス) 入り POLYESTER UL94V-0 (GLE Y)	1
②	アダプタ パートB ADAPTER PART-B	ポリエステル (ガラス) 入り POLYESTER UL94V-0 (GLE Y)	1
③	ハトメ HATOME	黄銅 BRASS	2

F

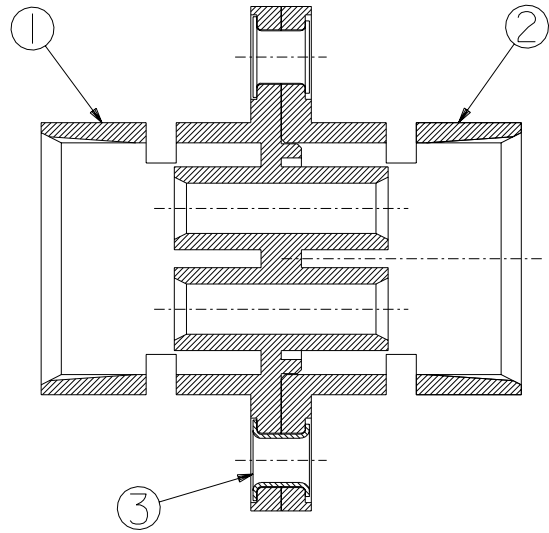
E

D

C

B

A



SECTION X-X  
(SCALE:4-1)

注記  
NOTES

- 1. 嵌合プラグ : 501270-0000  
MATING PLUG : 501270-0000

501266-0000
MATERIAL NO.
MODEL NO.: 501266-000*

①64NO. DRWN: CHK: APPR:	①63NO. DRWN: CHK: APPR:	①62NO. DRWN: CHK: APPR:	①61NO. DRWN: CHK: APPR:	RELEASED '04/05/28 J2004-4481 TE.NAGASE CHK: A.SHIMOTSU APPR: A.SHIMOTSU	MATERIAL 材料  SEE NOTES	GENERAL TOLERANCES: (UNLESS SPECIFIED) 一般公差 10 UNDER 未満 ±0.2 10 OVER 以上 30 UNDER 未満 ±0.25 30 OVER 以上 ±0.3	SCALE 2-1 DESIGN UNITS <input checked="" type="checkbox"/> mm <input type="checkbox"/> INCH	① ② ③ 2θ PROJECTION	DIMENSIONS: <input type="checkbox"/> mm <input type="checkbox"/> INCH <input checked="" type="checkbox"/> mm ONLY SHT REV	DRAWN BY & DATE TE.NAGASE '04/05/28 CHECKED BY & DATE A.SHIMOTSU '04/05/28 APPROVED BY & DATE A.SHIMOTSU '04/05/28	TITLE: NEW SMI CONN. ADAPTER ASS'Y	MOLEX MOLEX INCORPORATED	CAD FILENAME SD-501266-001.S01	MATERIAL NO. SD-501266-001	DRAWING NO. SD-501266-001	SHEET NO. 1 OF 1
WIRE RANGE 適用線径範囲					FINISH 仕上げ					INS. RANGE 被覆外径						
①					REV					THIS DRAWING CONTAINS INFORMATION THAT IS PROPRIETARY TO MOLEX INCORPORATED AND SHOULD NOT BE USED WITHOUT WRITTEN PERMISSION.						