

CAV No. & MOLD No.

NOTES

1. 本製品は極数によって、ロック形状が変わりますので御注意願います。
THE LOCK SHAPE OF THIS PRODUCT CHANGES ACCORDING TO THE NUMBER OF CIRCUIT.
2~5 CIRCUITS : フリクションロック FRICTION LOCK
6~15 CIRCUITS : インナーポジティブロック INNER POSITIVE LOCK
2. 材料 : TABLE 1,3 参照
MATERIAL : SEE TABLE 1 AND 3
3. 本製品の適応嵌合相手及び各種仕様書はSHEET 3を御参照下さい。
REFER TO SHEET 3 FOR MATE PARTNER AND VARIOUS SPECIFICATION DOCUMENT.
4. 偶数極に適応
APPLY FOR EVEN CIRCUIT
5. 発注番号 : TABLE 2,4 参照
ORDER No. : SEE TABLE 2 AND 4

501330 - ** **

極数 CIRCUIT SIZE	ハウジングカラー HOUSING COLOR
	00:NATURAL(WHITE)

TABLE 2

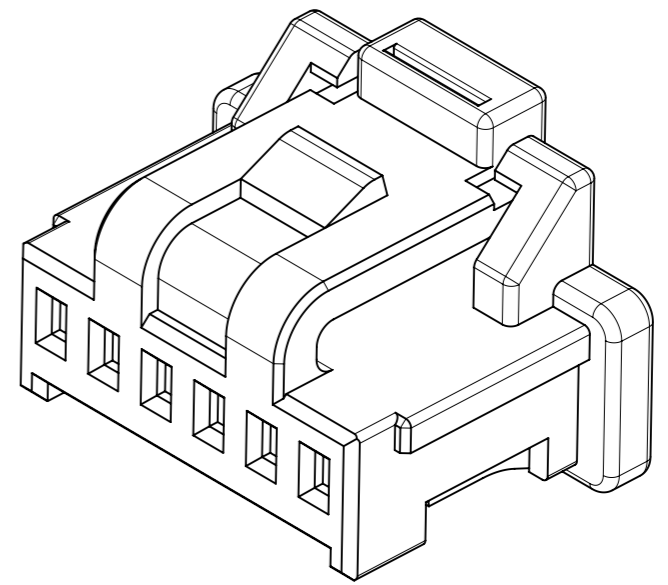
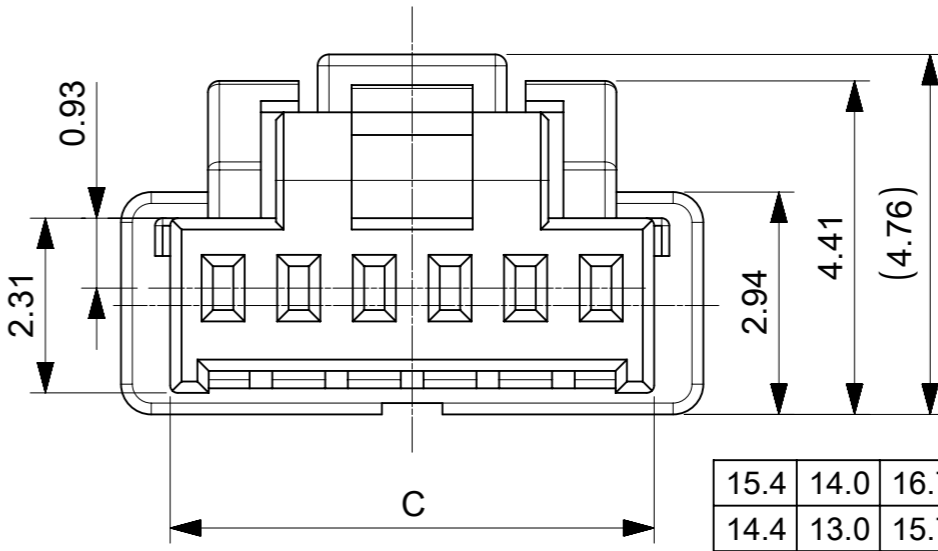
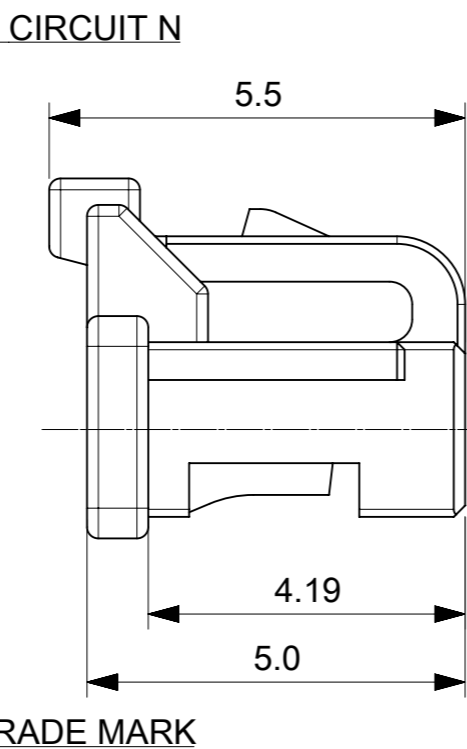
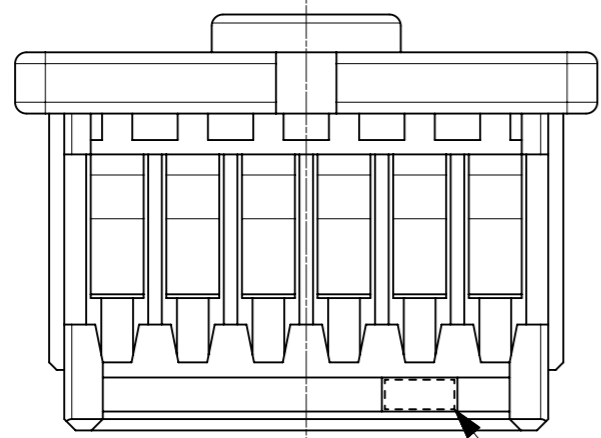
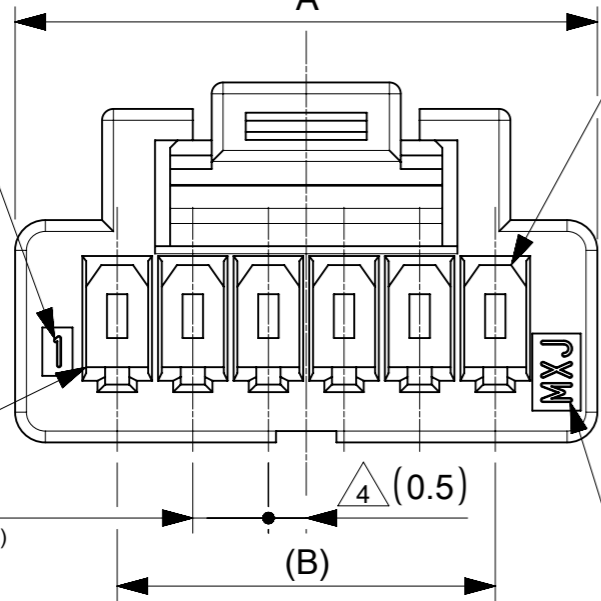
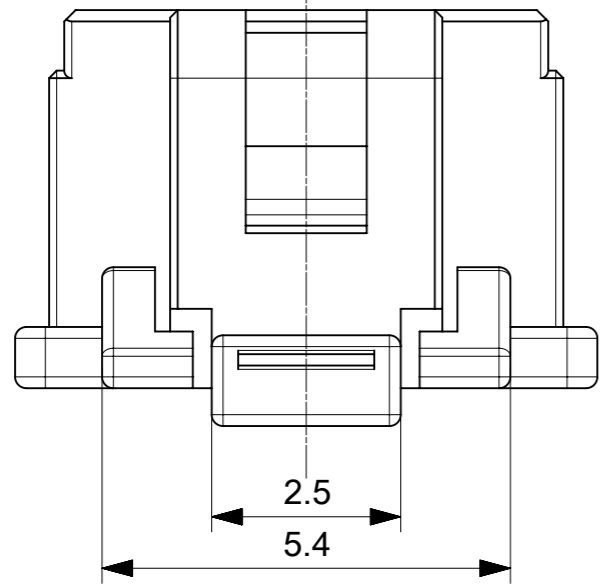
			HOUSING COLOR	
			NATURAL(WHITE)	
5.4	4.0	6.7	501330 0500	5
4.4	3.0	5.7	501330 0400	4
3.4	2.0	4.7	501330 0300	3
2.4	1.0	3.7	501330 0200	2
C	B	A	発注番号 ORDER No.	極数 CIRCUIT SIZE
極数別寸法 DIMENSION			梱包形態 : ポリ袋 PACKAGE:POLYBAG	

TABLE 1

部品 PART	材質 MATERIAL
ハウジング HOUSING	ポリアミド(PA), UL94V-0, 色 : SEE TABLE 2 POLYAMIDE(PA), UL94V-0, COLOR : SEE TABLE 2
DOCUMENT STATUS	P1
RELEASE DATE	2019/09/17 08:21:01

THIS DRAWING CONTAINS INFORMATION THAT IS PROPRIETARY TO MOLEX ELECTRONIC TECHNOLOGIES, LLC AND SHOULD NOT BE USED WITHOUT WRITTEN PERMISSION

DIMENSION UNITS	SCALE	CURRENT REV DESC:		molex			
mm	NTS						
GENERAL TOLERANCES (UNLESS SPECIFIED)		EC NO: 615136		PICO-CLASP 1.0 W/B SINGLE ROW REC HSG INNER LOCK			
ANGULAR TOL ± 3.0°		DRWN: AISHIKAWA 2019/09/05					
4 PLACES ± 0.2		CHK'D: AIDA 2019/09/11		PRODUCT CUSTOMER DRAWING			
3 PLACES ± 0.2		APPR: SAKIYAMA 2019/09/17					
2 PLACES ± 0.2		INITIAL REVISION:		DOCUMENT NUMBER			
1 PLACE ± 0.2		DRWN: AISHIKAWA 2019/03/12					5013300000-SD
0 PLACES ± 0.2		APPR: KOMURAKAMI 2019/04/05		DOC TYPE DOC PART REVISION			
DRAFT WHERE APPLICABLE MUST REMAIN WITHIN DIMENSIONS		THIRD ANGLE PROJECTION	DRAWING				SERIES
			A3-SIZE	501330	SEE SHEET 4		1 OF 3



CIRCUIT No.1
INDICATOR MARK

CIRCUIT 1

CIRCUIT N

TRADE MARK

CAV No.
& MOLD No.

TABLE 3

部品 PART	材質 MATERIAL
ハウジング HOUSING	ポリアミド(PA), UL94V-0, 色 : SEE TABLE 4 POLYAMIDE(PA), UL94V-0, COLOR : SEE TABLE 4
DOCUMENT STATUS	P1
RELEASE DATE	2019/09/17 08:21:01

TABLE 4

HOUSING COLOR			NATURAL(WHITE)		
15.4	14.0	16.7	501330 1500	15	
14.4	13.0	15.7	501330 1400	14	
13.4	12.0	14.7	501330 1300	13	
12.4	11.0	13.7	501330 1200	12	
11.4	10.0	12.7	501330 1100	11	
10.4	9.0	11.7	501330 1000	10	
9.4	8.0	10.7	501330 0900	9	
8.4	7.0	9.7	501330 0800	8	
7.4	6.0	8.7	501330 0700	7	
6.4	5.0	7.7	501330 0600	6	
C	B	A	発注番号 ORDER No.		極数 CIRCUIT SIZE
極数別 寸法 DIMENSION			梱包形態 : ポリ袋 PACKAGE:POLYBAG		

THIS DRAWING CONTAINS INFORMATION THAT IS PROPRIETARY TO MOLEX ELECTRONIC TECHNOLOGIES, LLC AND SHOULD NOT BE USED WITHOUT WRITTEN PERMISSION					
DIMENSION UNITS	SCALE	CURRENT REV DESC:			
mm	NTS	molex			
GENERAL TOLERANCES (UNLESS SPECIFIED)		PICO-CLASP 1.0 W/B SINGLE ROW REC HSG INNER LOCK			
ANGULAR TOL	± 3.0 °	PRODUCT CUSTOMER DRAWING			
4 PLACES	± 0.2	EC NO: 615136	2019/09/05	DOCUMENT NUMBER	
3 PLACES	± 0.2	DRWN: AISHIKAWA	2019/09/05	5013300000-SD	
2 PLACES	± 0.2	CHK'D: AIDA	2019/09/11	DOC TYPE	DOC PART
1 PLACE	± 0.2	APPR: SAKIYAMA	2019/09/17	PSD	000
0 PLACES	± 0.2	INITIAL REVISION:		REVISION	
DRAFT WHERE APPLICABLE MUST REMAIN WITHIN DIMENSIONS		DRWN: AISHIKAWA	2019/03/12	B	
THIRD ANGLE PROJECTION		APPR: KOMURAKAMI	2019/04/05	SHEET NUMBER	
DRAWING		SERIES		2 OF 3	
A3-SIZE		501330		SEE SHEET 4	

△ 3 適応製品及び各種仕様書
APPLICABLE PRODUCTS AND VARIOUS SPECIFICATIONS

梱包仕様書 PACKING SPECIFICATION	SPECIFICATION NUMBER
	SPK-501330-001

適応圧着端子 APPLY CRIMP TERMINAL	PART NUMBER	PLATING TYPE		WIRE SIZE(AWG)
	501334 0000	TIN (THICKNESS) 【MICRO-METER MIN.】	1.0	
501193 7000	GOLD (THICKNESS)	0.1		
501193 8000	【MICRO-METER MIN.】	0.38		
501193 9000	0.76			

列 ROW	SINGLE							
	SMT				SMT			
適応嵌合相手 MATE WITH	VERTICAL	RIGHT ANGLE	VERTICAL			RIGHT ANGLE		
	TIN (THICKNESS) 【MICRO-METER MIN.】	TIN (THICKNESS) 【MICRO-METER MIN.】	GOLD (THICKNESS) 【MICRO-METER MIN.】			GOLD (THICKNESS) 【MICRO-METER MIN.】		
	1.0	1.0	0.1	0.38	0.76	0.1	0.38	0.76
シリーズ番号 SERIES No.	501331	501568	504449	203556	203557	202396	203558	203559
製品仕様書 PRODUCT SPECIFICATION	5013300000-PS 001				5013300000-PS 002			
取扱説明書 APPLICATION SPECIFICATION	5013300000-AS 000							

製品嵌合図は各"適応嵌合相手"図面参照のこと
 MATING VIEW:REFER TO EACH "MATE WITH" PART DRAWING.

THIS DRAWING CONTAINS INFORMATION THAT IS PROPRIETARY TO MOLEX ELECTRONIC TECHNOLOGIES, LLC AND SHOULD NOT BE USED WITHOUT WRITTEN PERMISSION										
DIMENSION UNITS	SCALE	CURRENT REV DESC:						molex		
mm	NTS							PICO-CLASP 1.0 W/B SINGLE ROW REC HSG INNER LOCK		
GENERAL TOLERANCES (UNLESS SPECIFIED)		EC NO: 615136						PRODUCT CUSTOMER DRAWING		
ANGULAR TOL ± 3.0 °		DRWN: AISHIKAWA 2019/09/05								
4 PLACES ± 0.2		CHK'D: AIDA 2019/09/11						DOCUMENT NUMBER 5013300000-SD		
3 PLACES ± 0.2		APPR: SAKIYAMA 2019/09/17								
2 PLACES ± 0.2		INITIAL REVISION:						DOC TYPE PSD		
1 PLACE ± 0.2		DRWN: AISHIKAWA 2019/03/12								
0 PLACES ± 0.2		APPR: KOMURAKAMI 2019/04/05						DOC PART 000		
DRAFT WHERE APPLICABLE MUST REMAIN WITHIN DIMENSIONS		THIRD ANGLE PROJECTION 		DRAWING A3-SIZE	SERIES 501330	MATERIAL NUMBER SEE SHEET 4	CUSTOMER			
SHEET NUMBER 3 OF 3										