

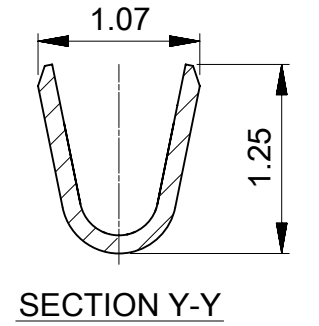
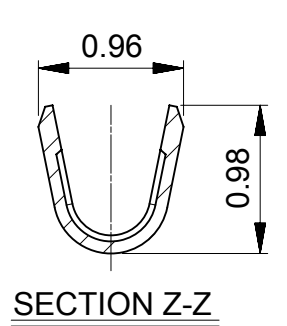
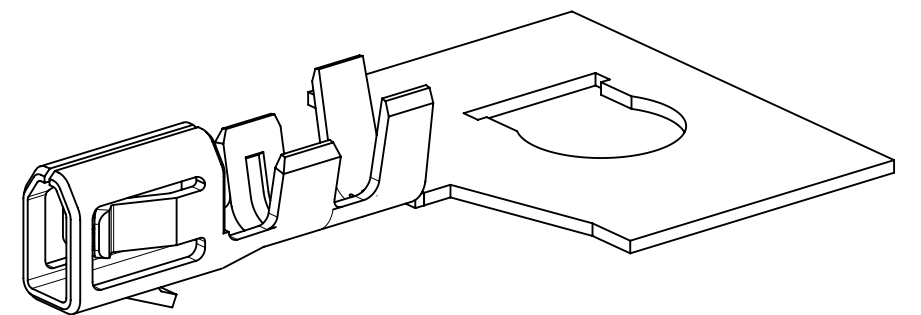
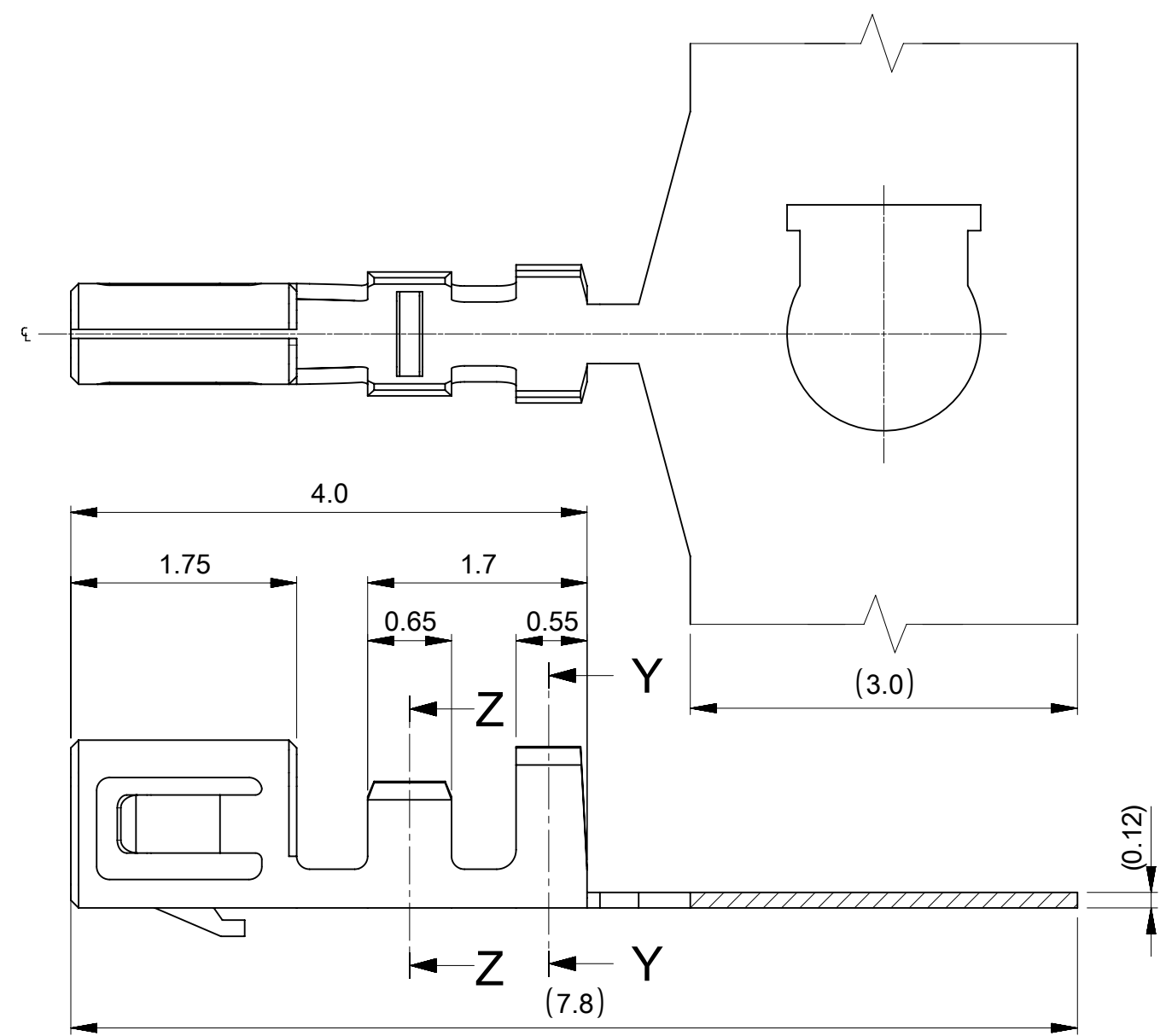
E

D

C

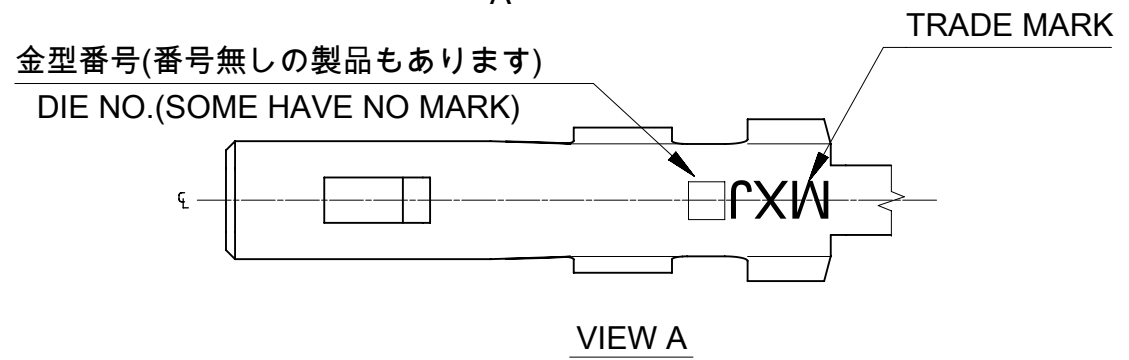
B

A



NOTES:

- 材料及び仕上げ(めっき仕様): 表参照
MATERIAL AND PLATING: SEE TABLE
- △ 適応ハウジング, 嵌合相手, 関連ドキュメントについては SHEET 2 を御参照下さい。
PLEASE REFER TO SHEET 2 FOR APPLICABLE HOUSING, MATING PARTNER AND RELATED DOCUMENTS.
- 本製品は錫めっき品である。
金めっき品は 5011930000-SD/PSD/000 を御参照下さい。
THIS PRODUCT IS A TIN PLATING.
PLEASE REFER TO 5011930000-SD/PSD/000 FOR GOLD PLATING.



Φ0.4-0.8mm	AWG#28-32	ポリ袋 POLY BAG	バラ状 LOOSE	501334 0100
		リール REEL	連鎖状 CHAIN	501334 0000
絶縁被覆外径範囲 INS. RANGE	適用電線範囲 WIRE RANGE	梱包形態 PACKAGING	端子形状 FORM	発注番号 ORDER No.

部品 PART	材質 MATERIAL
ターミナル TERMINAL	りん青銅 PHOSPHOR BRONZE
接点部 CONTACT	錫めっき : 1.0 MICROMETER MIN. リフロー処理(前めっき) MATTE TIN REFLOW TREATMENT(PRE-PLATING)

THIS DRAWING CONTAINS INFORMATION THAT IS PROPRIETARY TO MOLEX ELECTRONIC TECHNOLOGIES, LLC AND SHOULD NOT BE USED WITHOUT WRITTEN PERMISSION

DIMENSION UNITS mm	SCALE 20:1	CURRENT REV DESC: REDRAWN AND REVISED	molex		
GENERAL TOLERANCES (UNLESS SPECIFIED)					
ANGULAR TOL ± 3.0°	4 PLACES ± 0.2	3 PLACES ± 0.2	PRODUCT CUSTOMER DRAWING		
2 PLACES ± 0.2	1 PLACE ± 0.2	0 PLACES ± 0.2	DOCUMENT NUMBER		
DRAFT WHERE APPLICABLE MUST REMAIN WITHIN DIMENSIONS			5013340000-SD		
THIRD ANGLE PROJECTION			DOC TYPE DOC PART REVISION		
DRAWING A3-SIZE			PSD 000 D		
SERIES 501334			SHEET NUMBER 1 OF 2		
MATERIAL NUMBER SEE TABLE			CUSTOMER		

△ 適応製品及び各種仕様書
 APPLICABLE PRODUCTS AND VARIOUS SPECIFICATIONS

梱包仕様書 PACKING SPECIFICATION	SPECIFICATION NUMBER SPK-501334-001
--------------------------------	--

列 ROW	SINGLE			
適応ハウジング APPLY HOUSING	INNER LOCK		OUTER LOCK	
シリーズ番号 SERIES No.	501330		501939	
適応嵌合相手 MATE WITH	SMT			
	TIN PLATING			
	VERTICAL	RIGHT ANGLE	VERTICAL	RIGHT ANGLE
シリーズ番号 SERIES No.	501331	501568	501940	501953
製品仕様書 PRODUCT SPECIFICATION	5013300000-PS 001		PS-501940-001	
取扱説明書 APPLICATION SPECIFICATION	5013300000-AS 000			

製品嵌合図は各"適応嵌合相手"図面参照のこと
 MATING VIEW:REFER TO EACH "MATE WITH" PART DRAWING.

THIS DRAWING CONTAINS INFORMATION THAT IS PROPRIETARY TO MOLEX ELECTRONIC TECHNOLOGIES, LLC AND SHOULD NOT BE USED WITHOUT WRITTEN PERMISSION									
DIMENSION UNITS	SCALE	CURRENT REV DESC: REDRAWN AND REVISED				molex			
mm	1:1								
GENERAL TOLERANCES (UNLESS SPECIFIED)		EC NO: 624916				PICO-CLASP 1.0 W/B CRIMP TERMINAL TIN PLATING			
ANGULAR TOL	± 3.0 °	DRWN: AISHIKAWA 2019/10/01							
4 PLACES	± 0.2	CHK'D: AIDA 2019/10/03				PRODUCT CUSTOMER DRAWING			
3 PLACES	± 0.2	APPR: SAKIYAMA 2019/10/03							
2 PLACES	± 0.2	INITIAL REVISION:				DOCUMENT NUMBER 5013340000-SD			
1 PLACE	± 0.2	DRWN: KYAMADA02 2017/10/05							
0 PLACES	± 0.2	APPR: TKANEKO 2018/06/21				DOC TYPE PSD			
DRAFT WHERE APPLICABLE MUST REMAIN WITHIN DIMENSIONS		THIRD ANGLE PROJECTION		DRAWING	SERIES				
				A3-SIZE	501334	SEE TABLE		000	D
DOCUMENT STATUS		P1	RELEASE DATE	2019/10/03	02:44:56	SHEET NUMBER 2 OF 2			