

REVISED EC NO: J2008-1436 DRWN: A0YAGI 2007/10/22 CHK: M. SOGAYA 2007/10/22 APPR: NUKITA 2007/10/22 REV D	GENERAL TOLERANCES (UNLESS SPECIFIED)		DIMENSION STYLE MM ONLY		SCALE ---	DESIGN UNITS METRIC	THIRD ANGLE PROJECTION	
	10 UNDER	± 0.2	DRAWN BY T. ASAKAWA	DATE 2006/07/10	TITLE 0.4MM PITCH B/B CONN. H=0.9 W=3.4 PLUG ASSY			
	10 OVER 30 UNDER	± 0.25	CHECKED BY M. SASAO	DATE 2006/07/10	MOLEX INCORPORATED DOCUMENT NO. SD-501594-005 SHEET NO. 1 OF 2			
	30 OVER	± 0.3	APPROVED BY M. SASAO	DATE 2006/07/10				
	ANGULAR	± 3 °	MATERIAL NO.		SEE TABLE			
DRAFT WHERE APPLICABLE MUST REMAIN WITHIN DIMENSIONS		SIZE A3		THIS DRAWING CONTAINS INFORMATION THAT IS PROPRIETARY TO MOLEX INCORPORATED AND SHOULD NOT BE USED WITHOUT WRITTEN PERMISSION				

注記 NOTES

1. 使用材料 MATERIAL

ハウジング: 液晶ポリマー (LGP) ガラス充填 UL-94V-0 (黒)  
 HOSING : LIQUID CRYSTAL POLYMER (GLASS FILLED) UL94V-0 (COLOR:BLACK)

ターミナル: りん青銅 (t=0.08)  
 TERMINAL : PHOSHOR BRONZE (t=0.08)

金具: りん青銅 (t=0.1)  
 FITTING NAIL : PHOSHOR BRONZE (t=0.1)

2. メッキ仕様 PLATING

ターミナル TERMINAL

金メッキ 0.1マイクロメートル以上 (コンタクト部)  
 GOLD 0.1 MICROMETER MINIMUM (CONTACT AERA)

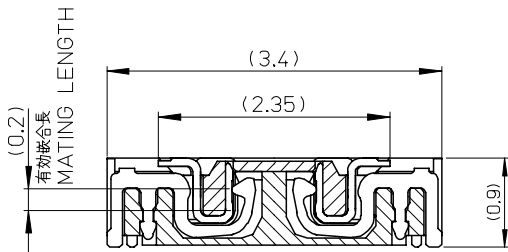
金メッキ 0.03マイクロメートル以上 (テール部)  
 GOLD 0.03 MICROMETER MINIMUM (TAIL AERA)

下地メッキ: ニッケルメッキ 1.0 マイクロメートル以上  
 UNDER PLATING : NICKEL 1.0 MICROMETER MINIMUM

金具 FITTING NAIL

銅メッキ :1.0マイクロメートル以上  
 TIN PLATING :1.0 MICROMETER MINIMUM

下地メッキ :ニッケル1.0マイクロメートル以上  
 UNDER PLATING :NICKEL 1.0 MICROMETER MINIMUM



嵌合断面図 (参考)  
 MATED DRAWING

③ (全極数/2)=偶数の場合に適用  
 APPLY FOR (CIRCUIT/2)=EVEN

4. 嵌合相手 : 501591-\*\*10シリーズ  
 WITH MATE : 501591-\*\*10SERIES

5. テール及び金具の平坦度は、0.1以下  
 TAIL AND FITTING NAIL COPLANARITY TO BE 0.1 MAXIMUM

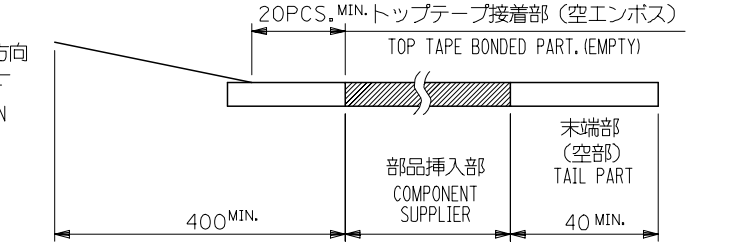
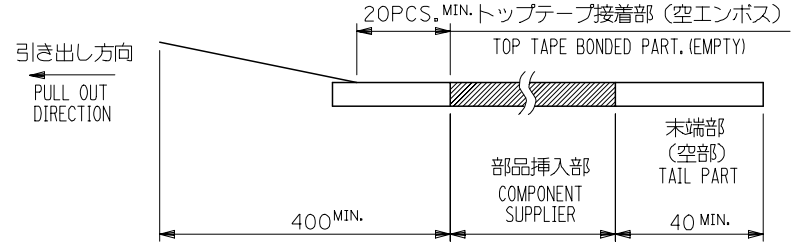
⑥ 斜線部はパターン書き込み禁止範囲と半田禁止範囲を示す。  
 ただし、斜線部に同一配線を配置する場合はレジストを施し、この部分に半田は無きこと。  
 NO PATTERN CIRCUIT AND NO SOLDER ALLOWED IN THE SHADED AREA.  
 HOWEVER, IF NEEDED TO ADD A TRACE OF THE SAME CIRCUIT, PUT THE SOLDER-RESIST,  
 YET NO SOLDER ALLOWED IN THE AREA.

7. ELV AND RoHS COMPLIANT.

REVISED EC NO: J2008-1436 DRWN: A0YAGI 2007/10/22 CHK: M. SOGAYA 2007/10/22 APPR: NUKITA 2007/10/22 REV D	GENERAL TOLERANCES (UNLESS SPECIFIED)		DIMENSION STYLE MM ONLY		SCALE ---	DESIGN UNITS METRIC	THIRD ANGLE PROJECTION	
	10 UNDER	± ---	DRAWN BY T. ASAKAWA	DATE 2006/07/10	TITLE 0.4MM PITCH B/B CONN. H=0.9 W=3.4 PLUG ASSY			
	10 OVER 30 UNDER	± ---	CHECKED BY M. SASAO	DATE 2006/07/10				
	30 OVER	± ---	APPROVED BY M. SASAO	DATE 2006/07/10	MOLEX INCORPORATED			
ANGULAR	± --- °	MATERIAL NO.		DOCUMENT NO.				
DRAFT WHERE APPLICABLE MUST REMAIN WITHIN DIMENSIONS		SEE SHEET 1		SD-501594-005		2 OF 2		
SIZE A3 THIS DRAWING CONTAINS INFORMATION THAT IS PROPRIETARY TO MOLEX INCORPORATED AND SHOULD NOT BE USED WITHOUT WRITTEN PERMISSION								

NOTES

- 製品詳細寸法については製品単体図面を参照下さい。  
RE DETAILED DIMENSION, SEE PRODUCT DRAWING.
- 梱包数量: 3000 個/リール  
NUMBER OF CONNECTORS : 3000 PCS/REEL
- リードテープ長さ LEAD TAPE LENGTH



- トップテープの剥離強度: JES-59 参照  
剥離方向は下図参照。  
PEELING OFF STRENGTH OF TOP TAPE : REFER TO JES-59  
PEELING DIRECTION AS SHOWN IN FOLLOWING FIGURE.

- 材料 MATERIAL  
キャリアテープ (CARRIER TAPE): ポリスチレン (POLYSTYRENE)  
トップテープ (TOPTAPE): PET, PE, PEF  
リール (REEL): ポリスチレン (P.S) <リサイクル材を含む>  
POLYSTYRENE (PS) <RECYCLE MATERIAL CONTAINED>

6.ELV AND RoHS COMPLIANT.

501594-\*\*11 MODEL NO.

REVISED EC NO: J2008-1436 DRWN: A0YAGI 2007/10/22 CHKD: M SOGAYA 2007/10/22 APPR: NUKITA 2007/10/22	GENERAL TOLERANCES (UNLESS SPECIFIED)		DIMENSION STYLE MM ONLY		SCALE ---	DESIGN UNITS METRIC	THIRD ANGLE PROJECTION
	10 UNDER	±0.2	DRAWN BY TASAKAWA	DATE 2006/07/10	TITLE 0.4MM PITCH B/B CONN. PLUG ASSY (HGT=0.9) EMBSTP PKG		
	10 OVER 30 UNDER	±0.25	CHECKED BY MSASAO	DATE 2006/07/10	MOLEX INCORPORATED		
	30 OVER	±0.3	APPROVED BY MSASAO	DATE 2006/07/10	DOCUMENT NO. SD-501594-006		
	ANGULAR	±3 °	MATERIAL NO. SEE SHEET 1		SHEET NO. 1 OF 2		
DRAFT WHERE APPLICABLE MUST REMAIN WITHIN DIMENSIONS		THIS DRAWING CONTAINS INFORMATION THAT IS PROPRIETARY TO MOLEX INCORPORATED AND SHOULD NOT BE USED WITHOUT WRITTEN PERMISSION					

10 9 8 7 6 5 4 3 2 1

F

E

D

C

B

A

F

E

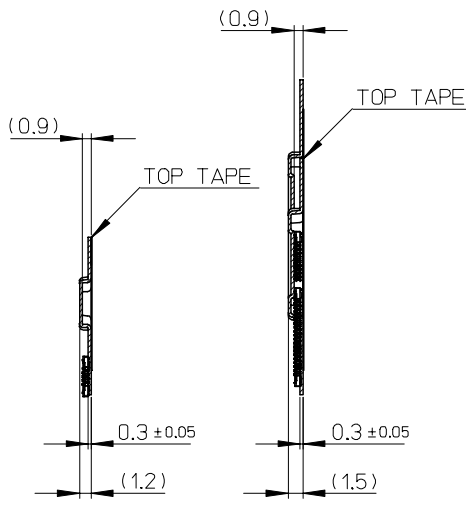
D

C

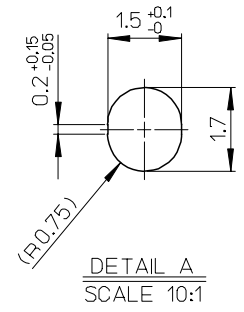
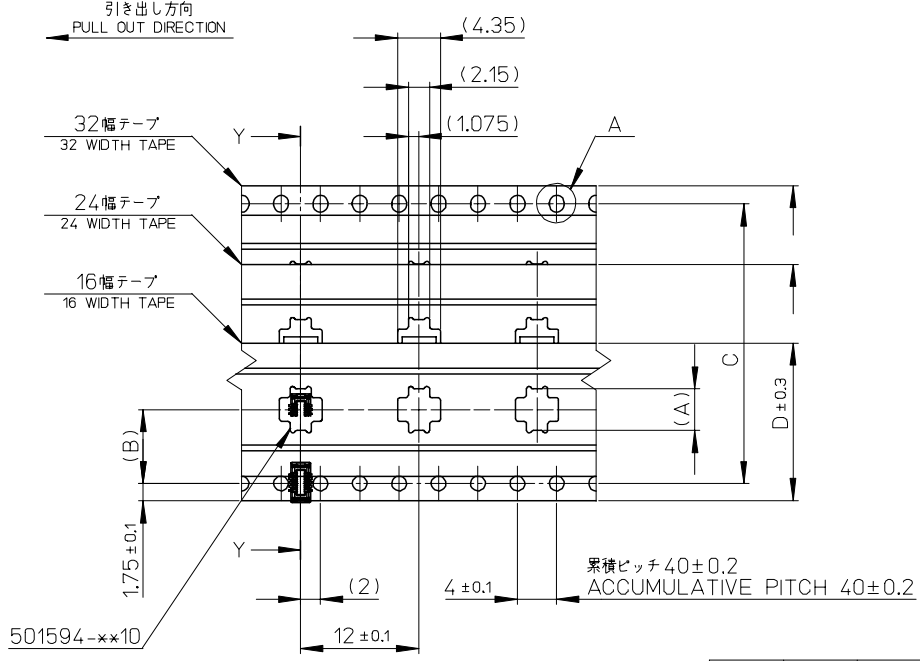
B

A

引き出し方向  
PULL OUT DIRECTION



SECT Y-Y  
(FOR 16 WIDTH TAPE)  
SECT Y-Y  
(FOR 24 WIDTH TAPE  
AND 32 WIDTH TAPE)



DETAIL A  
SCALE 10:1

37.4	33.4	32	28.4	14.2	16.21	501594-7011	70
29.4	25.4	24	—	11.5	13.01	501594-5411	54
					12.21	501594-5011	50
					11.01	501594-4411	44
					10.21	501594-4011	40
					9.01	501594-3411	34
					8.21	501594-3011	30
21.4	17.4	16	—	7.5	7.01	501594-2411	24
					6.61	501594-2211	22
F	E	D	C	(B)	6.21	501594-2011	20
					4.61	501594-1211	12
				(A)	4.21	501594-1011	10
						MATERIAL NO.	極数 CKT.
						501594-**-11	MODEL NO.

REVISED EC NO: J2008-1436 DRWN: A0YAGI 2007/10/22 CHK: M1 SOGAYA 2007/10/22 APPR: NUKITA 2007/10/22	GENERAL TOLERANCES (UNLESS SPECIFIED)		DIMENSION STYLE MM ONLY		SCALE 2:1	DESIGN UNITS METRIC	THIRD ANGLE PROJECTION
	10 UNDER	± 0.2	DRAWN BY TASAKAWA		TITLE 0.4MM PITCH B/B CONN. PLUG ASSY (HGT=0.9) EMBSTP PKG		
	10 OVER 30 UNDER	± 0.25	DATE 2006/07/10		MOLEX INCORPORATED		
	30 OVER	± 0.3	CHECKED BY MSASAO				
	ANGULAR	± 3 °	DATE 2006/07/10		DOCUMENT NO. SD-501594-006		
DRAFT WHERE APPLICABLE MUST REMAIN WITHIN DIMENSIONS		APPROVED BY MSASAO		DATE 2006/07/10		SHEET NO. 2 OF 2	