

注記
NOTE

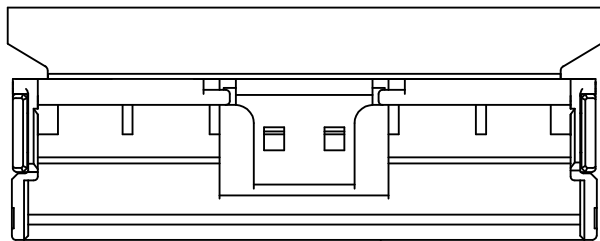
1. 使用材料
MATERIAL
- ハウジング
HOUSING : 液晶ポリマー (LCP)、ガラス充填、
UL94V-0 色: 黒色
LIQUID CRYSTAL POLYMER(LCP)
GLASS FILLED,UL94V-0 COLOR:BLACK
- ターミナル
TERMINAL : 銅合金(τ=0.18)
ニッケル下地 錫ビスマスメッキ
COPPER ALLOY(τ=0.18)
Sn-Bi PLATING OVER NICKEL PLATING.
- 金具
FITTING NAIL : 銅合金(τ=0.25)
ニッケル下地 錫メッキ
COPPER ALLOY(τ=0.25)
TIN OVER NICKEL PLATING.

- △2 N=偶数に適用 (N:極数)
APPLY FOR N-EVEN(CIRCUIT)
- △3 パターン剥離止め用金具
FITTING NAIL FOR PREVENTION OF PEELING
OF P.C.B PATTERN.
- △4 適合ジャケット: 501783-**09
製品詳細寸法はSD-501783-001を参照下さい。
APPLICABLE JACKET:501783-**09
RE DETAILED DIMENSION,SEE SD-501783-001.
- △5 適合ジャケットカバー: 501784-**09
製品詳細寸法はSD-501784-001を参照下さい。
APPLICABLE JACKET:501784-**09
RE DETAILED DIMENSION,SEE SD-501784-001.

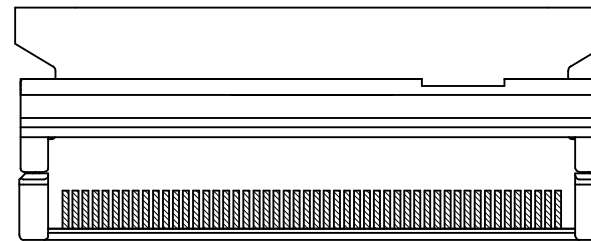
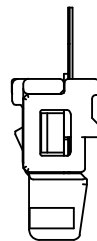
参考基板レイアウト
P.C BOARD PATTERN
DIMENSION(REF.)
(マウント面)
(MOUNTING SIDE)

27.2	29.1	24.5	33.1	501786-5021	50
22.2	24.1	19.5	28.1	501786-4021	40
17.2	19.1	14.5	23.1	501786-3021	30
D	C	B	A	MATERIAL NO.	極数

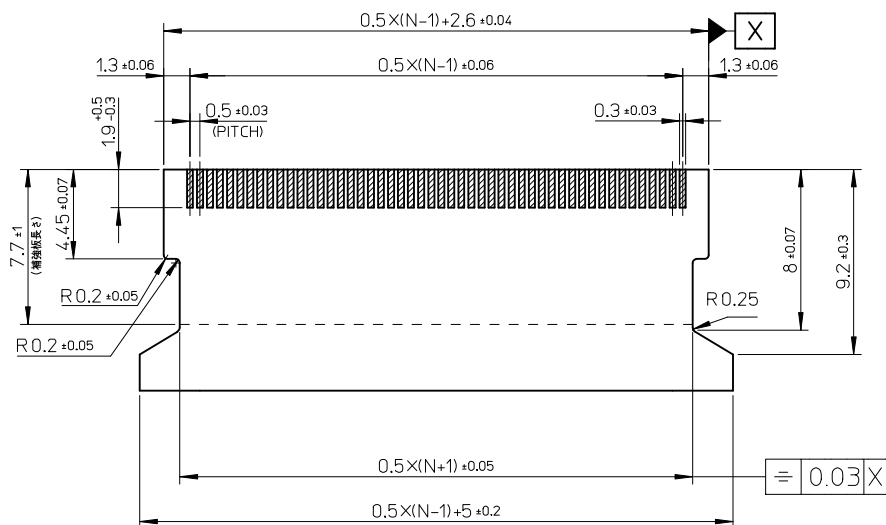
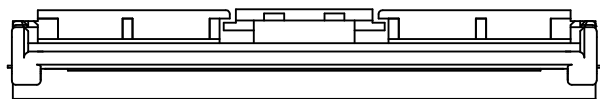
REVISED EC NO: J2013-0731 DR:MNK/NAGUMO 2012/08/02 CHKD:K.TAKAHASHI 2012/08/03 APPR:KMORIKAWA 2013/01/07	DESCRIPTION	GENERAL TOLERANCES (UNLESS SPECIFIED)		DIMENSION STYLE MM ONLY		SCALE 1:1	DESIGN UNITS METRIC	THIRD ANGLE PROJECTION	
		10 UNDER	±0.2	DRAWN BY H.IIJIMA	DATE 06/01/13	TITLE 0.5 FFC TO BOARD CONN REC HSG ASSY(ST)			
		10 OVER 30 UNDER	±0.25	CHECKED BY K.TAKAHASHI	DATE 06/01/13				
		30 OVER	±0.3	APPROVED BY H.HIRATA	DATE 06/01/13				
A	REV	ANGULAR	±1	MATERIAL NO. 501786-**21		DOCUMENT NO. SD-501786-004		SHEET NO. 1 OF 2	
			DRAFT WHERE APPLICABLE MUST REMAIN WITHIN DIMENSIONS	THIS DRAWING CONTAINS INFORMATION THAT IS PROPRIETARY TO MOLEX INCORPORATED AND SHOULD NOT BE USED WITHOUT WRITTEN PERMISSION					



△ ジャケット
JACKET

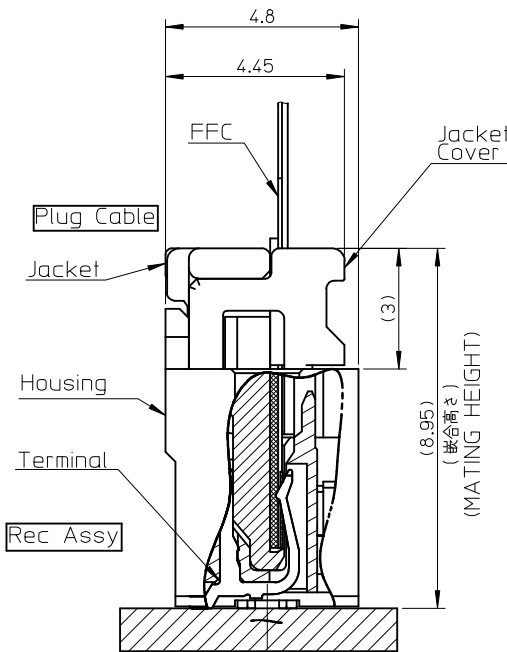


△ ジャケットカバー
JACKET COVER



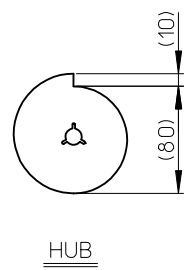
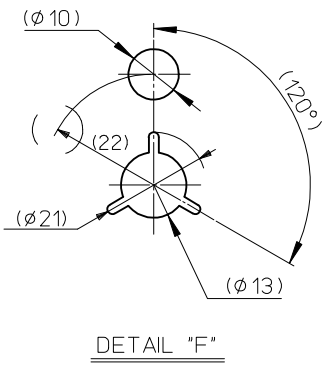
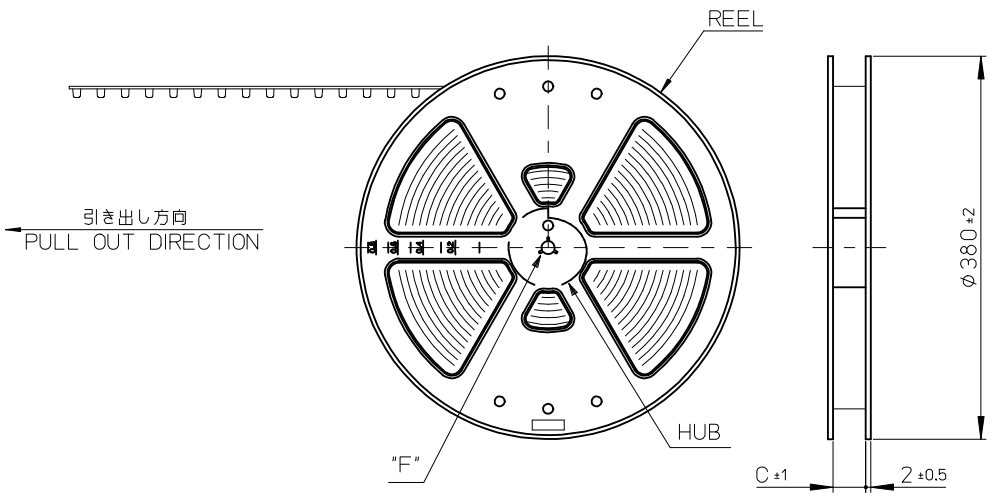
コネクタ接点部

適合FFC推奨寸法
APPLICABLE FFC
RECOMMENDED DIMENSION
(仕上がり厚さ: コネクタ接点部 0.3±0.03)



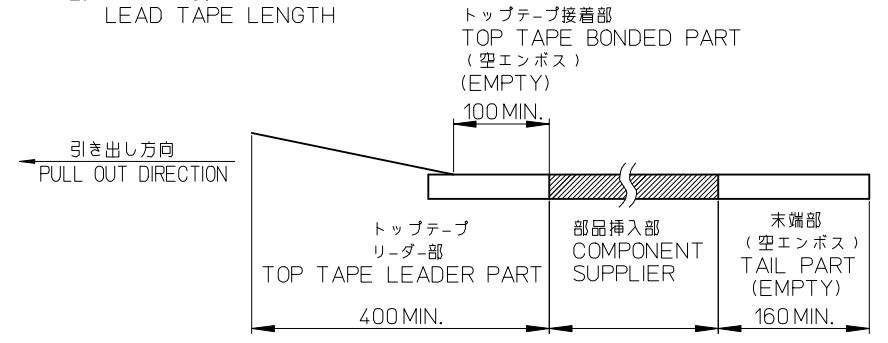
嵌合断面図

SEE SHEET 1 OF 2 EC NO.: J2013-0731 DRAWN BY: DRW/NK/NAGUNO 2012/08/02 CHECKED BY: CHK/DKTAKAHASHI 2012/08/03 APPR: KYORIKAWA 2013/01/07	GENERAL TOLERANCES (UNLESS SPECIFIED)		DIMENSION STYLE MM ONLY	SCALE -4:1-	DESIGN UNITS METRIC	THIRD ANGLE PROJECTION
	10 UNDER	± 0.2	DRAWN BY H. IJIMA	DATE 06/01/13	TITLE 0.5 FFC TO BOARD CONN REC HSG ASSY(ST)	
	10 OVER 30 UNDER	± 0.25	CHECKED BY K. TAKAHASHI	DATE 06/01/13		
	30 OVER	± 0.3	APPROVED BY H. HIRATA	DATE 06/01/13		
ANGULAR	±1 °	MATERIAL NO. 501786-**21		DOCUMENT NO. SD-501786-004	SHEET NO. 2 OF 2	
DRAFT WHERE APPLICABLE MUST REMAIN WITHIN DIMENSIONS		SIZE A3	THIS DRAWING CONTAINS INFORMATION THAT IS PROPRIETARY TO MOLEX INCORPORATED AND SHOULD NOT BE USED WITHOUT WRITTEN PERMISSION			

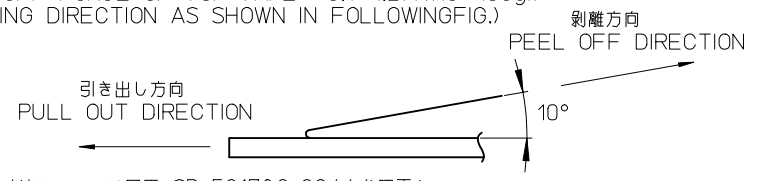


NOTES

- 梱包数量：900 個ノリール
NUMBER OF CONNECTORS:900 PCS/REEL
- リードテープ長さ
LEAD TAPE LENGTH



- トップテープの剥離強度：0.1~1.27N(10~130gf)
(剥離方向は下図参照)
剥離速度：300mm/MIN.(参考)
PEEL-OFF FORCE OF TOP TAPE : 0.1~1.27N(10~130gf)
(PEELING DIRECTION AS SHOWN IN FOLLOWINGFIG.)



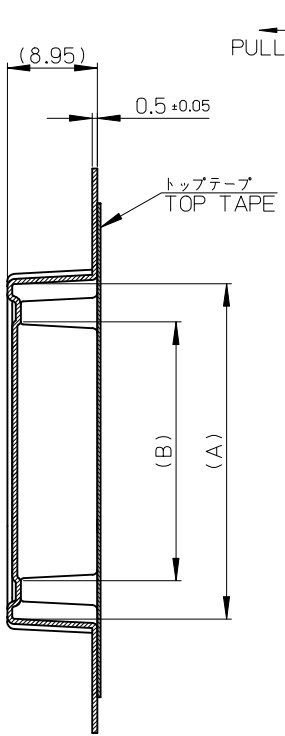
- 製品詳細寸法については図面 SD-501786-004を参照下さい。
RE DETAILED DIMENSION, SEE SD-501786-004.
- 材料(MATERIAL)
キャリアテープ(CARRIER TAPE)：ポリスチレン(POLYSTYRENE)
トップテープ(TOP TAPE)：PET, PE, PE
リール(REEL)：ポリスチレン(POLYSTYRENE)<リサイクル材を含む>
<RECYCLE MATERILAL CONTAINED>

501786-**80 MODEL NO.

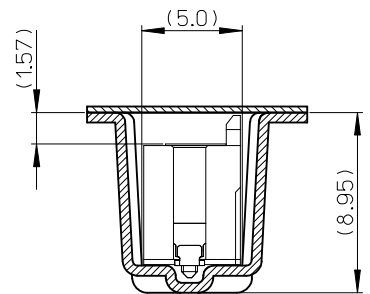
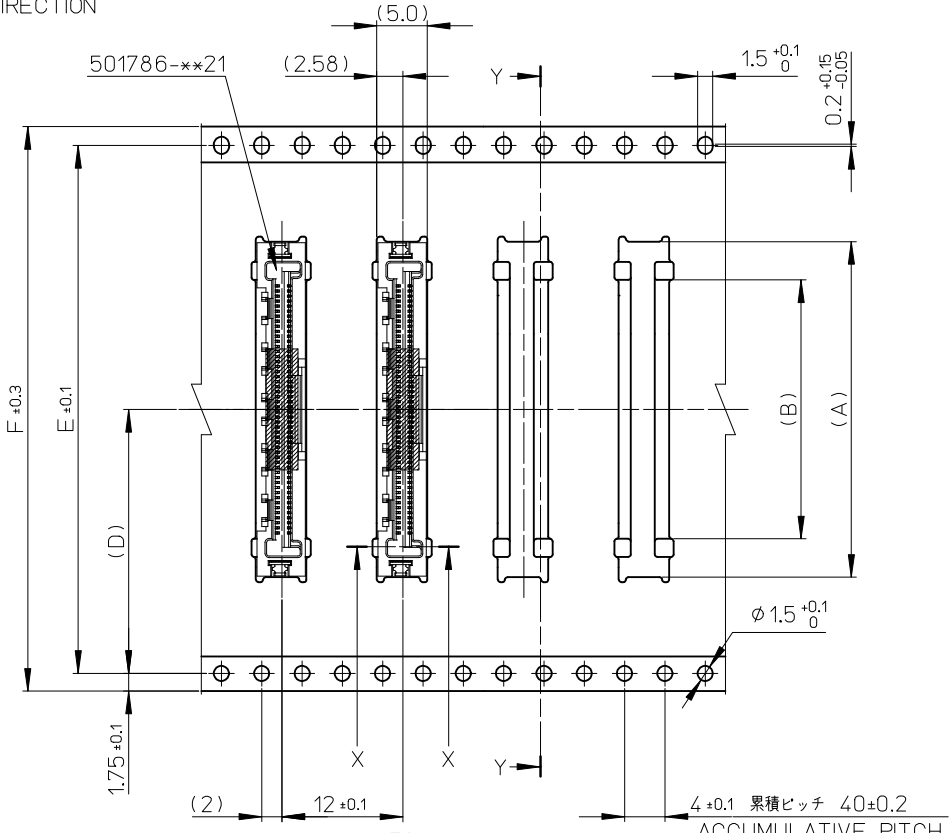
REVISED EC NO: J2013-0731 DRWN:KNAGUMO 2012/08/02 CHKD:K.TAKAHASHI 2012/08/03 APPR:KMORIKAWA 2013/01/07	DESCRIPTION A	GENERAL TOLERANCES (UNLESS SPECIFIED)		DIMENSION STYLE MM ONLY		SCALE ---	DESIGN UNITS METRIC	THIRD ANGLE PROJECTION		
		10 UNDER	±0.2	DRAWN BY H.IIJIMA	DATE 06/01/17	TITLE EMBSTP PKG FOR 0.5 FFC TO BOARD ST TYPE				
		10 OVER 30 UNDER	±0.25	CHECKED BY K.TAKAHASHI	DATE 06/01/17					
		30 OVER	±0.3	APPROVED BY H.HIRATA	DATE 06/01/17					
ANGULAR ±3 °		DRAFT WHERE APPLICABLE MUST REMAIN WITHIN DIMENSIONS		MATERIAL NO. 501786-**80		DOCUMENT NO. SD-501786-005		SHEET NO. 1 OF 2		
SIZE A3				THIS DRAWING CONTAINS INFORMATION THAT IS PROPRIETARY TO MOLEX INCORPORATED AND SHOULD NOT BE USED WITHOUT WRITTEN PERMISSION						

10 9 8 7 6 5 4 3 2 1

F
E
D
C
B
A



引き出し方向
PULL OUT DIRECTION



56mm幅キャリアテープ
56mm WIDTH CARRIER TAPE

56	56.0	52.4	26.2	57.4	25.68	33.3	501786-5080	50
44	44.0	40.4	20.2	45.4	20.68	28.3	501786-4080	40
					15.68	23.3	501786-3080	30
キャリアテープ幅 CARRIER TAPE WIDTH	F	E	D	C	B	A	製品番号 MATERIAL NO.	極数 CKT

SEE SHEET 1 OF 2 EC NO: J2013-0731 DRWN:KNAGUMO 2012/08/02 CHKD:KAKAHASHI 2012/08/03 APPR:KMORIKAWA 2013/01/07	GENERAL TOLERANCES (UNLESS SPECIFIED)	DIMENSION STYLE MM ONLY	SCALE ---	DESIGN UNITS METRIC	THIRD ANGLE PROJECTION
	10 UNDER ±0.2	DRAWN BY H. IJIMA	DATE 06/01/17	TITLE EMBSTP PKG FOR 0.5 FFC TO BOARD ST TYPE	
	10 OVER 30 UNDER ±0.25	CHECKED BY K. TAKAHASHI	DATE 06/01/17		
	30 OVER ±0.3	APPROVED BY H. HIRATA	DATE 06/01/17		
ANGULAR ±3 °	DRAFT WHERE APPLICABLE MUST REMAIN WITHIN DIMENSIONS		MATERIAL NO. 501786-**80	DOCUMENT NO. SD-501786-005	SHEET NO. 2 OF 2
A	SIZE A3	THIS DRAWING CONTAINS INFORMATION THAT IS PROPRIETARY TO MOLEX INCORPORATED AND SHOULD NOT BE USED WITHOUT WRITTEN PERMISSION			

9 8 7 6 5 4 3 2