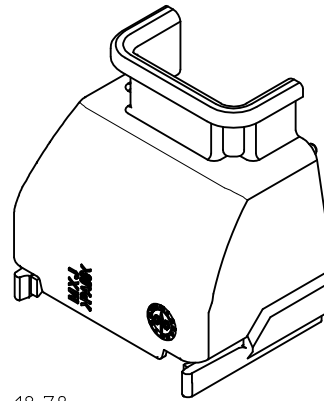
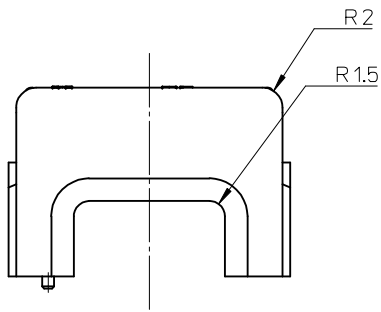
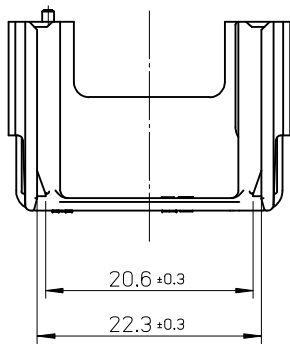
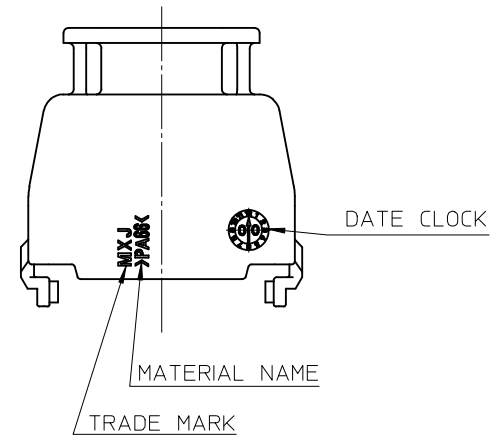
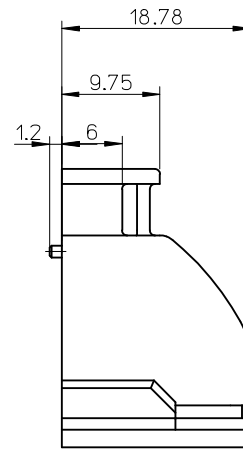
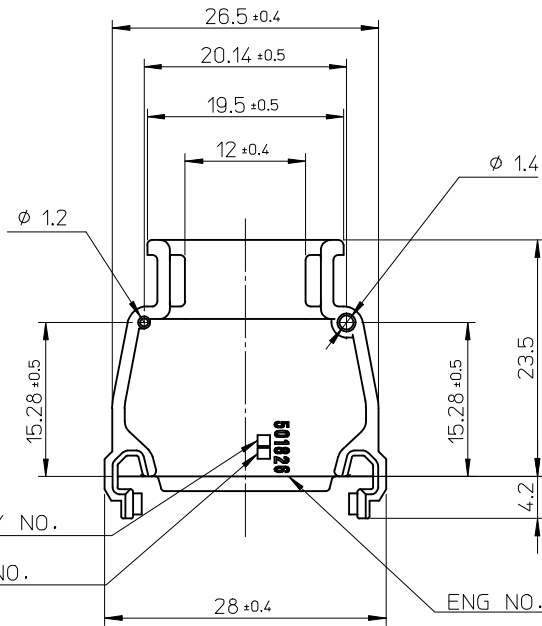


10 9 8 7 6 5 4 3 2 1



注記
NOTES

- 適合ハウジング: 501820-32*1
APPLICABLE HOUSING: 501820-32*1
- 材質: PA66.GF 0% 黒色
MATERIAL: PA66.GF 0% BLACK



RELEASED EC NO.: J2006-2786 DRWN: YMASUDA02 2006/03/06 CHKD: TAITO 2006/03/07 APPR: AKANESHIGE 2006/03/08	GENERAL TOLERANCES (UNLESS SPECIFIED)		DIMENSION STYLE MM ONLY	SCALE 2:1	DESIGN UNITS METRIC	THIRD ANGLE PROJECTION
	10 UNDER	± 0.2	DRAWN BY YMASUDA02	DATE 2006/3/1	TITLE CMC W/W CONN. 32P PLUG HOUSING WIRE DRESS COVER	
	10 OVER 30 UNDER	± 0.25	CHECKED BY TAITO	DATE 2006/3/1	MOLEX INCORPORATED	
	30 OVER	± 0.3	APPROVED BY AKANESHIGE	DATE 2006/3/1	DOCUMENT NO. SD-501826-001	SHEET NO. 1 OF 1
0	DESCRIPTION REV	ANGULAR ± 3 ° DRAFT WHERE APPLICABLE MUST REMAIN WITHIN DIMENSIONS	MATERIAL NO. 501826-3201	THIS DRAWING CONTAINS INFORMATION THAT IS PROPRIETARY TO MOLEX INCORPORATED AND SHOULD NOT BE USED WITHOUT WRITTEN PERMISSION		