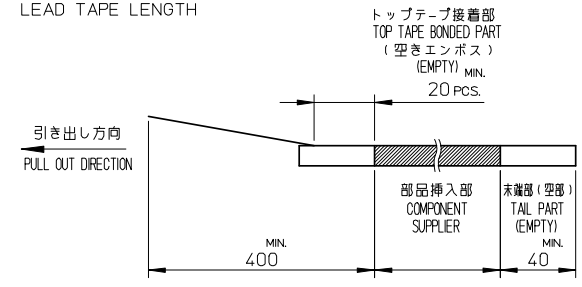
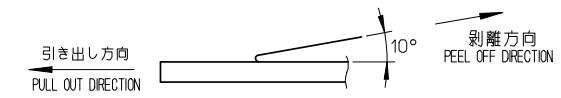


NOTES

- 製品詳細寸法については、製品単体図面を御参照下さい。
For detail of connector dimensions, please see the drawing of connector itself (not packaged)
- 梱包数量 : 1500 個/リール
NUMBER OF CONNECTORS : 1500 PCS/REEL
- リードテープ長さ
LEAD TAPE LENGTH

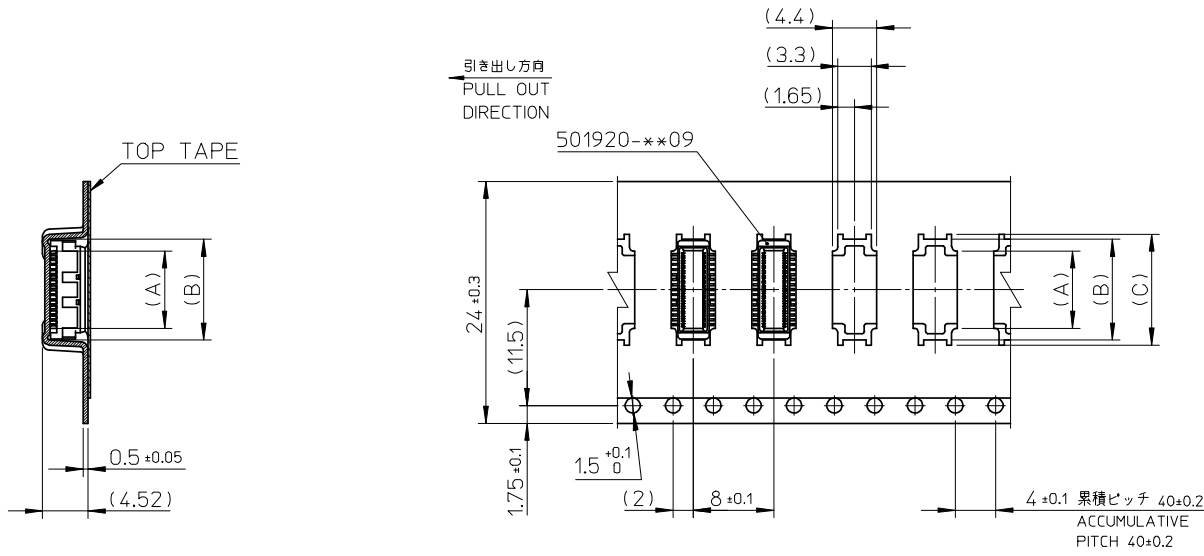


- トップテープの剥離強度 : 0.1N ~ 1.3N (10gf~130gf)
(剥離方向は下図参照)
尚、本規格値は、出荷時に適用。(但し、輸送時に剥離が発生しない事。)
PEELING OFF FORCE OF TOP TAPE 0.1N~1.3N (10gf~130gf)
(PEELING DIRECTION AS SHOWN IN FOLLOWING FIG.)
THIS REQUIREMENT SHOULD BE APPLIED AT SHIPMENT.
(PEEL OFF SHOULD NOT BE ALLOWED, DURING TRANSPORTATION.)



- 材料
キャリアテープ : ポリプロピレン
トップテープ : PET ,PE ,PEF
リール : ポリスチレン(PS) <リサイクル材を含む>
MATERIAL
CARRIER TAPE : POLYPROPYLENE
TOP TAPE : PET ,PE ,PEF
REEL : POLYSTYRENE(PS) <RECYCLE MATERIAL CONTAINED>
- ELV AND RoHS COMPLIANT.

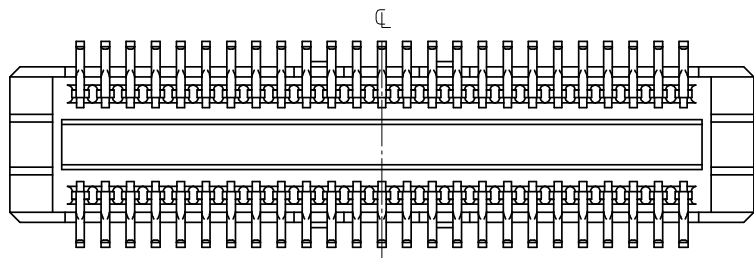
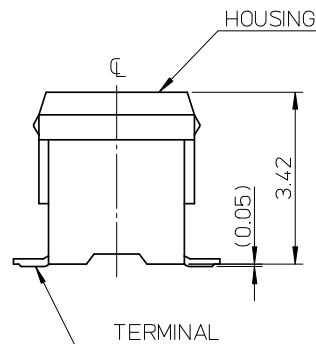
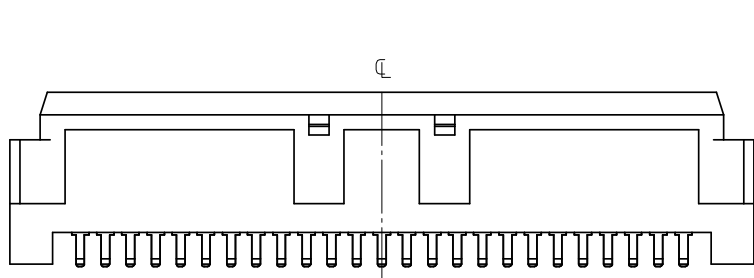
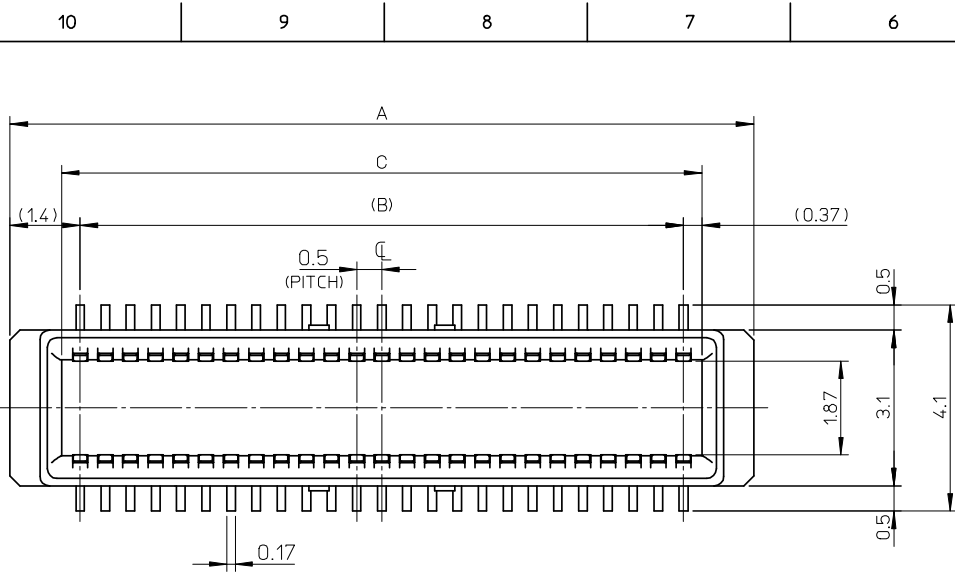
REVISED EC NO: J2008-2863 DRWN:TKAHO 2008/01/29 CHKD:MSASAO 2008/01/29 APPR:MSASAO 2008/02/05	DESCRIPTION REV	GENERAL TOLERANCES (UNLESS SPECIFIED)		DIMENSION STYLE MM ONLY		501920-**-01		MODEL NO.		
		10 UNDER ±0.2		DRAWN BY DATE		SCALE	DESIGN UNITS	THIRD ANGLE PROJECTION		
		10 OVER 30 UNDER ±0.25		M. ISOGAYA 2005/08/18		#	METRIC	TITLE EMBSTP PKG FOR 0.5 PITCH B/B CONN. PLUG HSG ASSY		
		30 OVER ±0.3		CHECKED BY DATE		T. HIRATA 2005/08/18				
ANGULAR ±1 °		APPROVED BY DATE		M. SASAO 2005/08/18		MOLEX INCORPORATED		SHEET NO.		
DRAFT WHERE APPLICABLE MUST REMAIN WITHIN DIMENSIONS		MATERIAL NO.		SEE SHEET 2		DOCUMENT NO.		1 OF 2		
		SIZE		THIS DRAWING CONTAINS INFORMATION THAT IS PROPRIETARY TO MOLEX INCORPORATED AND SHOULD NOT BE USED WITHOUT WRITTEN PERMISSION						



24mm幅キャリアテープ
24mm WIDTH CARRIER TAPE

24	25.4	16.0	15.0	12.67	501920-5001	50
		13.5	12.5	10.17	501920-4001	40
		11.0	10.0	7.67	501920-3001	30
キャリアテープ幅 CARRIER TAPE WIDTH	D	(C)	(B)	(A)	MATERIAL NO.	CIRCUIT

REVISED EC NO: J2008-2863 DRWN:TKAIHO 2008/01/29 CHKD:MSASAO 2008/01/29 APPR:MSASAO 2008/02/05 REV DESCRIPTION	GENERAL TOLERANCES (UNLESS SPECIFIED)		DIMENSION STYLE MM ONLY		SCALE //	DESIGN UNITS METRIC	THIRD ANGLE PROJECTION
	10 UNDER	±0.2	DRAWN BY M. ISOGAYA	DATE 2005/08/18	TITLE EMBSTP PKG FOR 0.5 PITCH B/B CONN. PLUG HSG ASSY		
	10 OVER 30 UNDER	±0.25	CHECKED BY T. HIRATA	DATE 2005/08/18	MOLEX INCORPORATED		
	30 OVER	±0.3	APPROVED BY M. SASAO	DATE 2005/08/18	DOCUMENT NO. SD-501920-002		
	ANGULAR ±1 °	DRAFT WHERE APPLICABLE MUST REMAIN WITHIN DIMENSIONS		MATERIAL NO. SEE TABLE		SHEET NO. 2 OF 2	
		THIS DRAWING CONTAINS INFORMATION THAT IS PROPRIETARY TO MOLEX INCORPORATED AND SHOULD NOT BE USED WITHOUT WRITTEN PERMISSION					



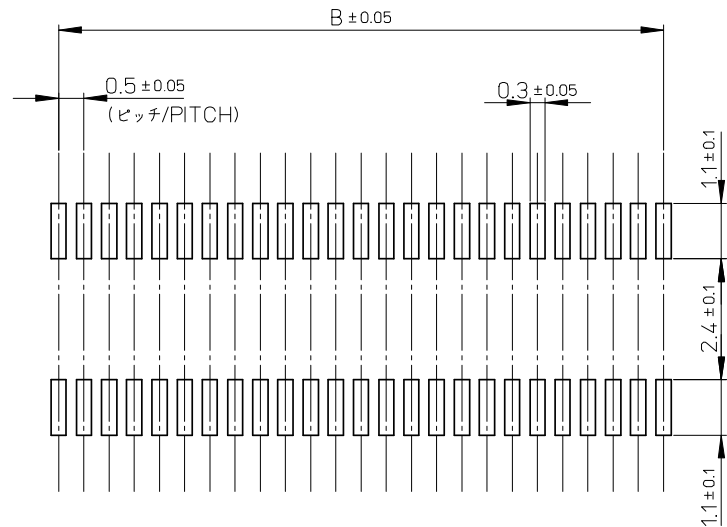
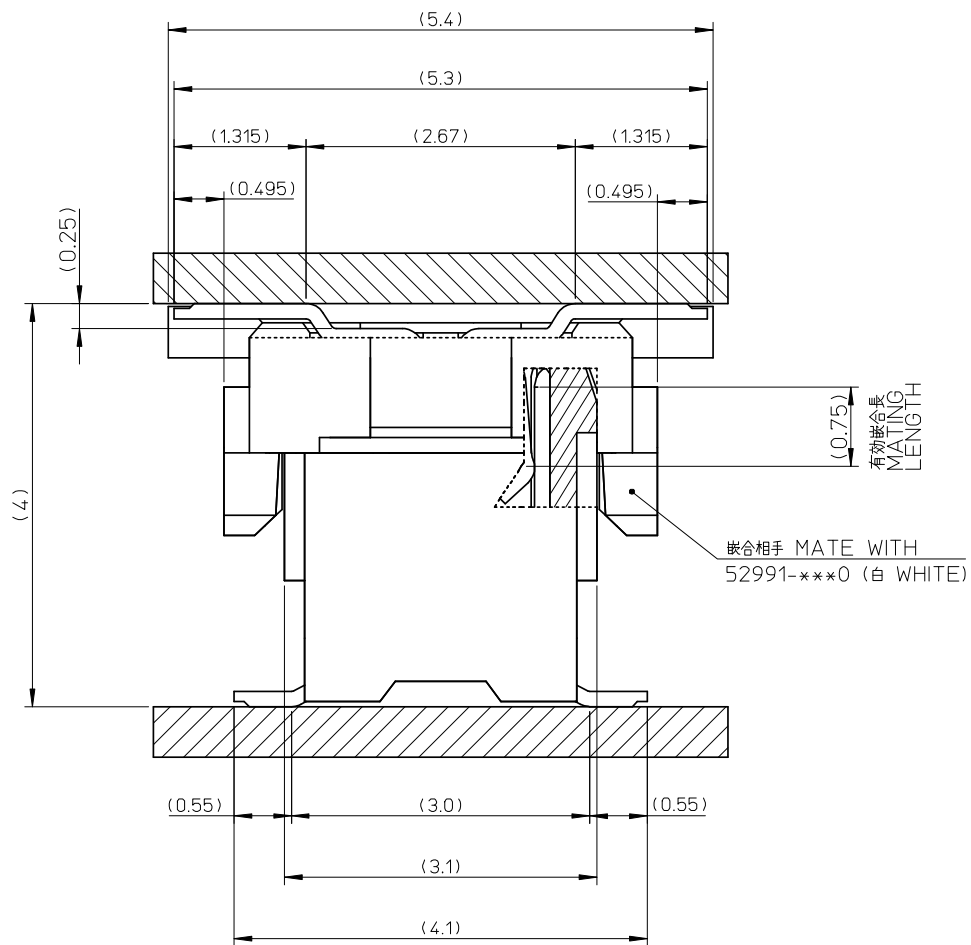
NOTES

- 1.材質
MATERIAL
ハウジング：LCP(液晶ポリマー)、ガラス充填、黒色、UL94V-0
HOUSING : GLASS FILLED LIQUID CRYSTAL POLYMER ,BLACK ,UL94V-0
ターミナル：銅合金 (t=0.15)
TERMINAL : COPPER ALLOY (t=0.15)
- 2.メッキ仕様
PLATING
ターミナル
TERMINAL
接点部：金メッキ
CONTACT AREA : GOLD
半田付け部：錫メッキ
SOLDER TAIL AREA : TIN
下地メッキ：ニッケルメッキ
UNDER PLATING : NICKEL
- 3.テール平坦度：0.1 MAX.
COPLANARITY : 0.1 MAXIMUM
4. ELV AND RoHS COMPLIANT.

12.74	12.0	14.8	501920-5001	501920-5009	50
C	B	A	エンボス梱包 EMBOSSED TAPE PACKAGING	製品番号 MATERIAL NO.	CIRCUIT

REVISED EC NO: J2009-0002 DRWN:TKAIHO CHKD:THIRATA APPR:MSASAO	DESCRIPTION 2008/07/04 2008/07/04 2008/07/07	GENERAL TOLERANCES (UNLESS SPECIFIED)		DIMENSION STYLE MM ONLY		SCALE 10:1	DESIGN UNITS METRIC	501920-**09	MODEL NO.
		10 UNDER	±0.2	DRAWN BY TKAIHO	DATE 2008/01/28	THIRD ANGLE PROJECTION			
		10 OVER 30 UNDER	±0.25	CHECKED BY MSASAO	DATE 2008/01/29	0.5 PITCH B/B CONN. PLUG HSG ASSY			
		30 OVER	±0.3	APPROVED BY MSASAO	DATE 2008/01/29	MOLEX INCORPORATED			
A	REV	ANGULAR ±1 ° DRAFT WHERE APPLICABLE MUST REMAIN WITHIN DIMENSIONS	SEE TABLE	MATERIAL NO.	DOCUMENT NO. SD-501920-003	SHEET NO. 1 OF 2			
				SIZE A3	THIS DRAWING CONTAINS INFORMATION THAT IS PROPRIETARY TO MOLEX INCORPORATED AND SHOULD NOT BE USED WITHOUT WRITTEN PERMISSION				

10 9 8 7 6 5 4 3 2 1



参考基板レイアウト (マウント面)
 RECOMMENDED P.C.BOARD
 PATTERN DIMENSION (REF.)
 (MOUNT AREA) (SCALE 10:1)

嵌合状態図(参考)
 MATED DRAWING (REF.)

REVISED EC NO: J2009-0002 DRWN:TKAIHO 2008/07/04 CHKD:THIRATA 2008/07/04 APPR:MSASAO 2008/07/07	GENERAL TOLERANCES (UNLESS SPECIFIED)		DIMENSION STYLE MM ONLY		501920-***09		MODEL NO.	
	10 UNDER	±0.2	DRAWN BY	DATE	SCALE	DESIGN UNITS	THIRD ANGLE PROJECTION	
	10 OVER 30 UNDER	±0.25	TKAIHO	2008/01/28	100:10	METRIC	0.5 PITCH B/B CONN. PLUG HSG ASSY	
	30 OVER	±0.3	CHECKED BY	DATE	TITLE			
DESCRIPTION	ANGULAR ±1 °	MSASAO	2008/01/29	APPROVED BY	DATE	MOLEX INCORPORATED		
REV	DRAFT WHERE APPLICABLE MUST REMAIN WITHIN DIMENSIONS	MSASAO	2008/01/29	MATERIAL NO.	SEE SHEET 1	DOCUMENT NO.	SD-501920-003	
A		SIZE	THIS DRAWING CONTAINS INFORMATION THAT IS PROPRIETARY TO MOLEX INCORPORATED AND SHOULD NOT BE USED WITHOUT WRITTEN PERMISSION				SHEET NO. 2 OF 2	