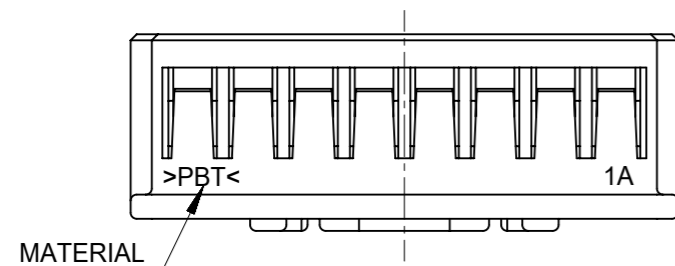
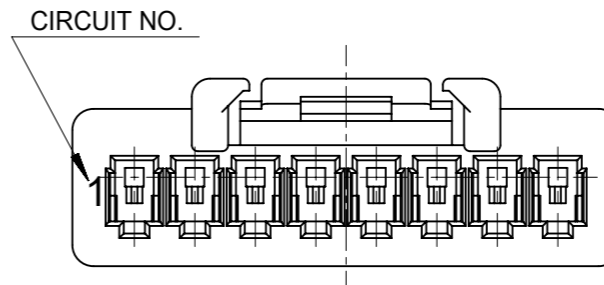
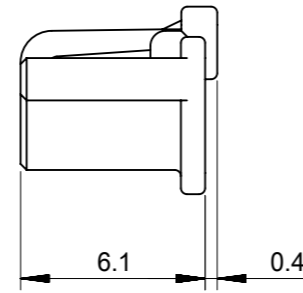
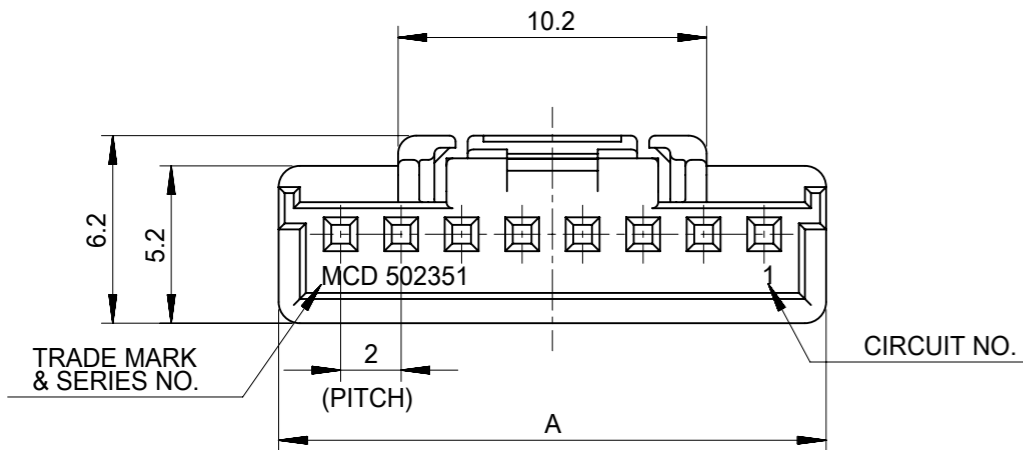


NOTES

- 1. 材質 : PBT UL94V-0  
MATERIAL: PBT UL94V-0
- 2. 色 : 白、黒  
COLOR: WHITE, BLACK
- 3. 適合端子 : 50212, 50372, 56161, 560085シリーズ  
APPLICABLE TERMINAL: 50212, 50372, 56161, 560085 SERIES
- 4. 嵌合相手 : 502352, 560020シリーズ  
MATES WITH: 502352, 560020 SERIES
- 5. ELV及びRoHS適合品  
ELV AND RoHS COMPLIANT
- 6. 一般公差  
GENERAL TOLERANCES  
10 UNDER: ±0.2  
10 OVER 30 UNDER: ±0.25  
30 OVER: ±0.3  
ANGULAR: ±3°



8CKTS

BLACK	32.1	502351-1501	15	NATURAL	32.1	502351-1500	15
	30.1	502351-1401	14		30.1	502351-1400	14
	28.1	502351-1301	13		28.1	502351-1300	13
	26.1	502351-1201	12		26.1	502351-1200	12
	24.1	502351-1101	11		24.1	502351-1100	11
	22.1	502351-1001	10		22.1	502351-1000	10
	20.1	502351-0901	9		20.1	502351-0900	9
	18.1	502351-0801	8		18.1	502351-0800	8
	16.1	502351-0701	7		16.1	502351-0700	7
	14.1	502351-0601	6		14.1	502351-0600	6
	12.1	502351-0501	5		12.1	502351-0500	5
	10.1	502351-0401	4		10.1	502351-0400	4
	8.1	502351-0301	3		8.1	502351-0300	3
8.0	502351-0201	2	8.0	502351-0200	2		
COLOR	A	MATERIAL NO.	CKTS	COLOR	A	MATERIAL NO.	CKTS

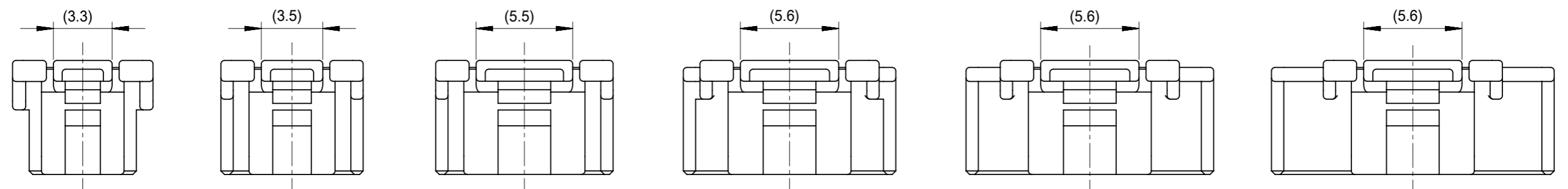
THIS DRAWING CONTAINS INFORMATION THAT IS PROPRIETARY TO MOLEX ELECTRONIC TECHNOLOGIES, LLC AND SHOULD NOT BE USED WITHOUT WRITTEN PERMISSION

DIMENSION UNITS	SCALE	CURRENT REV DESC:		<b>molex</b>			
mm	4:1						
GENERAL TOLERANCES (UNLESS SPECIFIED)		EC NO: 628767		2.0MM PITCH			
ANGULAR TOL ± °		DRWN: MSATO08 2019/12/09		WIRE TO BOARD CONN. RECEPTACLE HOUSING			
4 PLACES ±		CHK'D: HIJIMA 2019/12/10		PRODUCT CUSTOMER DRAWING			
3 PLACES ±		APPR: TOSADA 2019/12/13		DOCUMENT NUMBER			
2 PLACES ±		INITIAL REVISION:		SD-502351-001			
1 PLACE ±		DRWN: SHSHIBATA 2008/01/23		DOC TYPE		DOC PART	
0 PLACES ±		APPR: AKANESHIGE 2008/04/23		PSD		001	
DRAFT WHERE APPLICABLE MUST REMAIN WITHIN DIMENSIONS		THIRD ANGLE PROJECTION		SERIES		REVISION	
		DRAWING		MATERIAL NUMBER		SHEET NUMBER	
		A3-SIZE		502351		1 OF 3	
				CUSTOMER		GENERAL MARKET	
				SEE CHART			

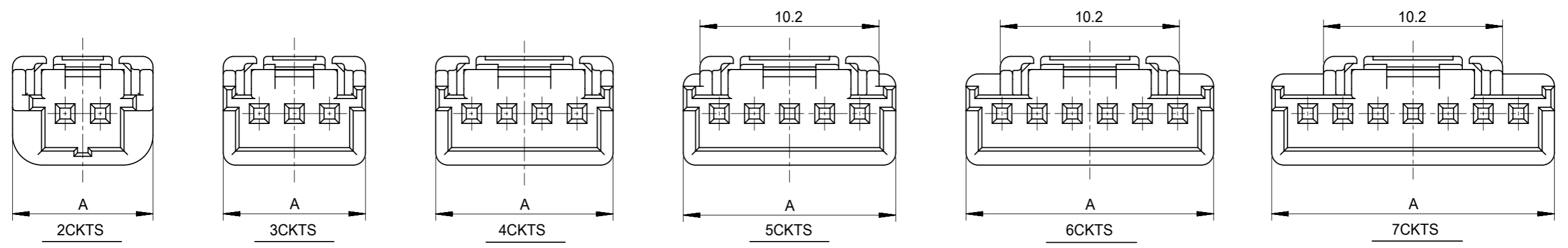
INITIAL REVISION:  
 DRWN SHSHIBATA 2007/12/18  
 CHECK HKOMATSU 2007/12/18  
 APPR MAYAMAMOTO 2010/12/02

9 8 7 6 5 4 3 2 1

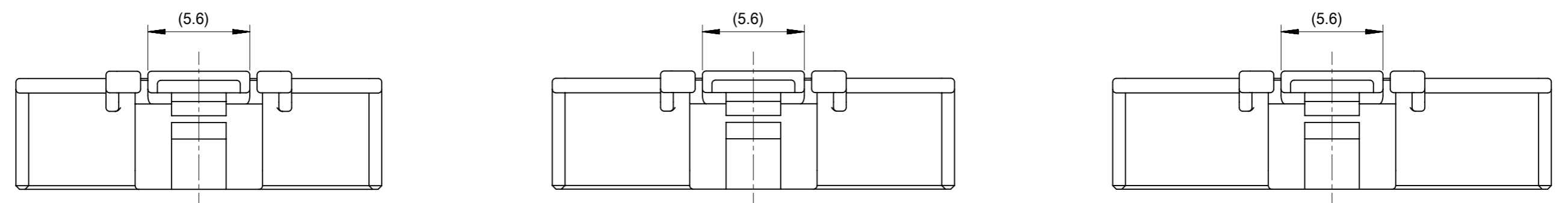
E



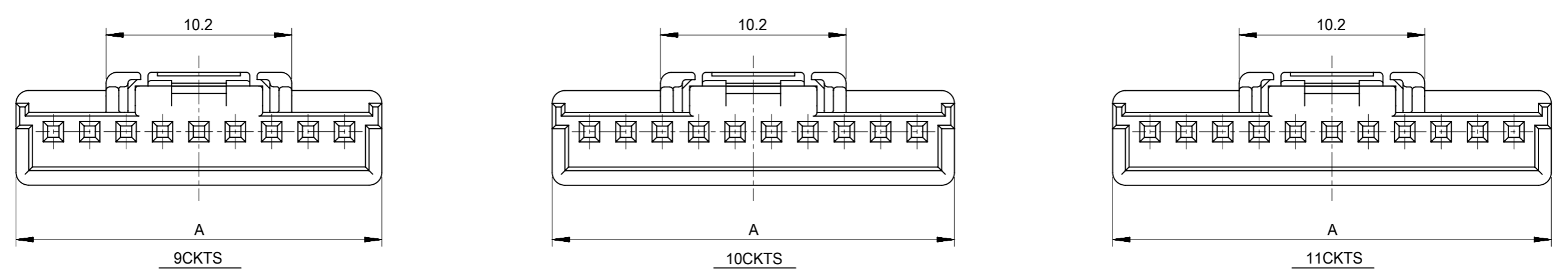
D



C



B



A

THIS DRAWING CONTAINS INFORMATION THAT IS PROPRIETARY TO MOLEX ELECTRONIC TECHNOLOGIES, LLC AND SHOULD NOT BE USED WITHOUT WRITTEN PERMISSION											
DIMENSION UNITS		SCALE		CURRENT REV DESC:						<b>molex</b>	
mm		4:1									
GENERAL TOLERANCES (UNLESS SPECIFIED)				EC NO: 628767		DRWN: MSATO08		2019/12/09		2.0MM PITCH	
ANGULAR TOL ±				DRWN: SHSHIBATA		CHK'D: HIJIMA		2019/12/10		WIRE TO BOARD CONN. RECEPTACLE HOUSING	
4 PLACES ±				APPR: TOSADA		2019/12/13		PRODUCT CUSTOMER DRAWING			
3 PLACES ±				INITIAL REVISION:		DRWN: SHSHIBATA		2008/01/23		DOCUMENT NUMBER	
2 PLACES ±				DRWN: SHSHIBATA		2008/04/23		SD-502351-001		DOC TYPE DOC PART REVISION	
1 PLACE ±				APPR: AKANESHIGE		2008/04/23		PSD		001 J1	
0 PLACES ±				DRAFT WHERE APPLICABLE MUST REMAIN WITHIN DIMENSIONS		THIRD ANGLE PROJECTION		DRAWING		SHEET NUMBER	
A3-SIZE		502351		MATERIAL NUMBER		CUSTOMER		SEE CHART		GENERAL MARKET	

INITIAL REVISION:  
 DRWN SHSHIBATA 2007/12/18  
 CHECK HKOMATSU 2007/12/18  
 APPR MAYAMAMOTO 2010/12/02

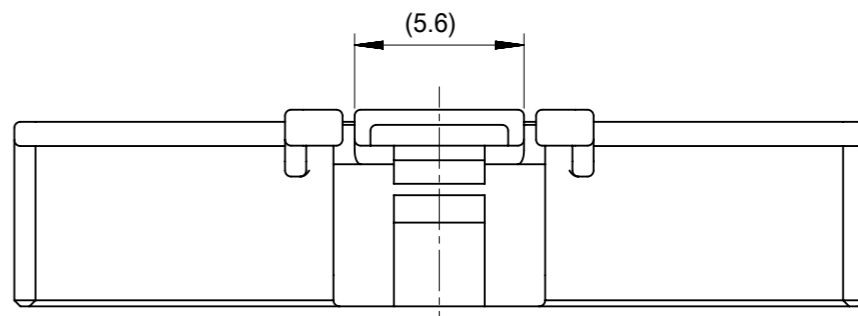
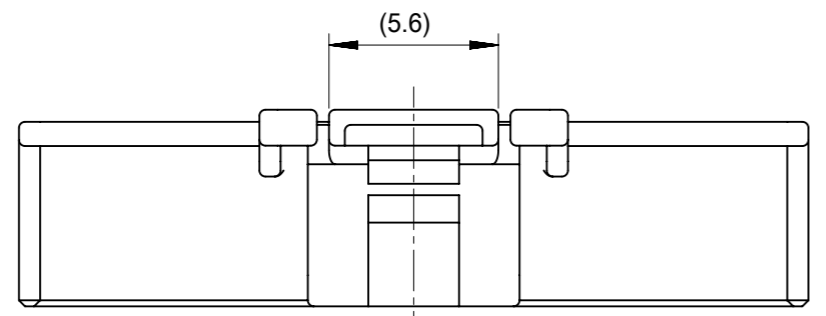
DOCUMENT STATUS P1 RELEASE DATE 2019/12/13 01:19:57

9 8 7 6 5 4 3 2 1

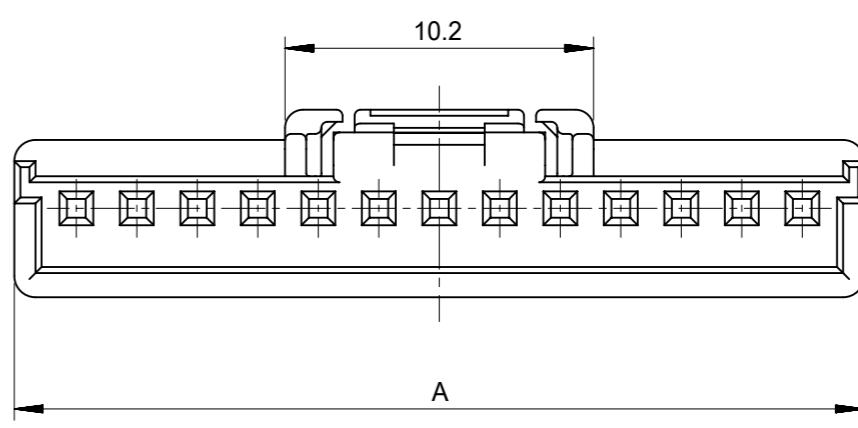
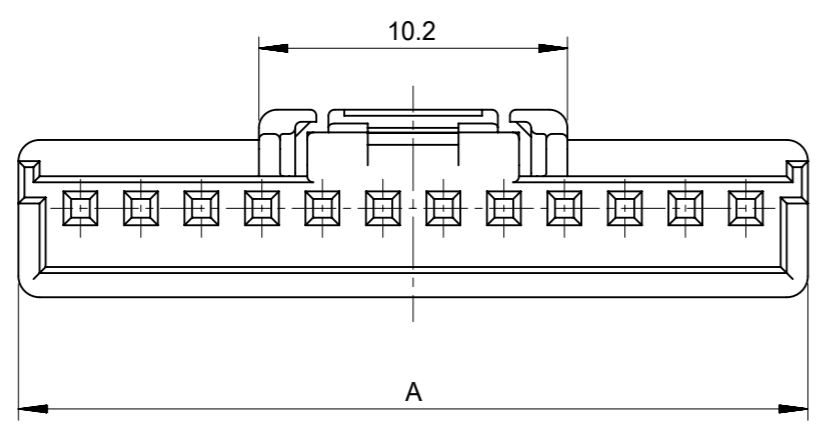
FORMAT: master-ib-prod-A3  
 REVISION: 11  
 DATE: 2018/01/18

9 8 7 6 5 4 3 2 1

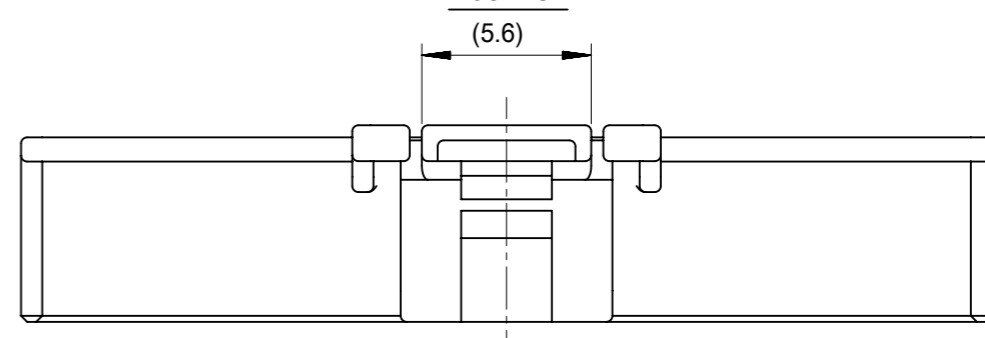
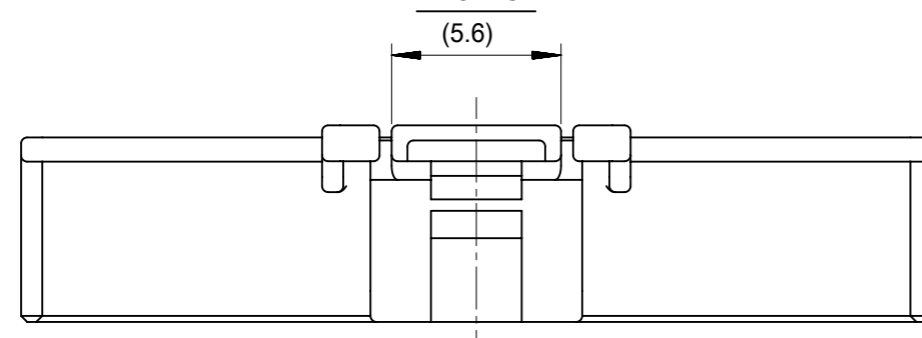
E



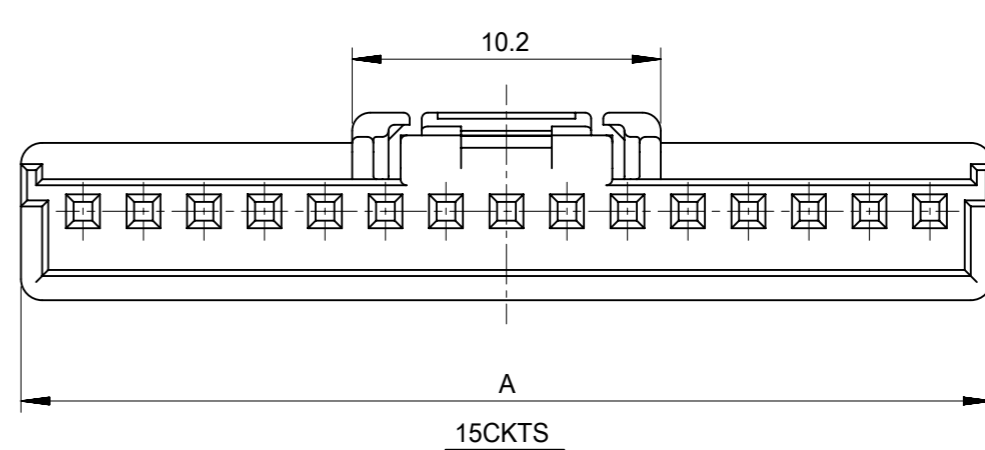
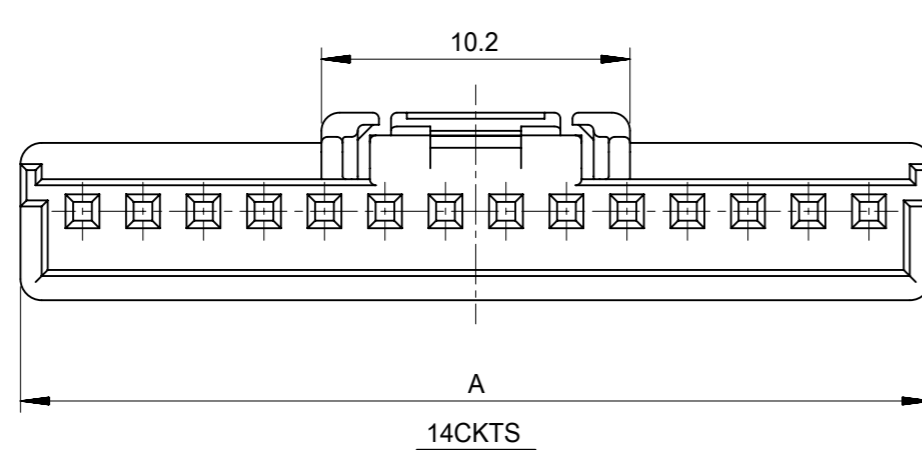
D



C



B



A

THIS DRAWING CONTAINS INFORMATION THAT IS PROPRIETARY TO MOLEX ELECTRONIC TECHNOLOGIES, LLC AND SHOULD NOT BE USED WITHOUT WRITTEN PERMISSION									
DIMENSION UNITS		SCALE		CURRENT REV DESC:				<b>molex</b>	
mm		4:1		EC NO: 628767					
GENERAL TOLERANCES (UNLESS SPECIFIED)				DRWN: MSATO08 2019/12/09				2.0MM PITCH	
ANGULAR TOL ± °				CHK'D: HIJIMA 2019/12/10				WIRE TO BOARD CONN. RECEPTACLE HOUSING	
4 PLACES ±				APPR: TOSADA 2019/12/13				PRODUCT CUSTOMER DRAWING	
3 PLACES ±				INITIAL REVISION:				DOCUMENT NUMBER	
2 PLACES ±				DRWN: SHSHIBATA 2008/01/23				SD-502351-001	
1 PLACE ±				APPR: AKANESHIGE 2008/04/23				DOC TYPE DOC PART REVISION	
0 PLACES ±				THIRD ANGLE PROJECTION		DRAWING		SERIES	
DRAFT WHERE APPLICABLE MUST REMAIN WITHIN DIMENSIONS				⊕		A3-SIZE		502351	
MATERIAL NUMBER				CUSTOMER		SHEET NUMBER			
SEE CHART				GENERAL MARKET		3 OF 3			

INITIAL REVISION:		
DRWN	SHSHIBATA	2007/12/18
CHECK	HKOMATSU	2007/12/18
APPR	MAYAMAMOTO	2010/12/02

DOCUMENT STATUS	P1	RELEASE DATE	2019/12/13	01:19:57
-----------------	----	--------------	------------	----------

9 8 7 6 5 4 3 2 1