

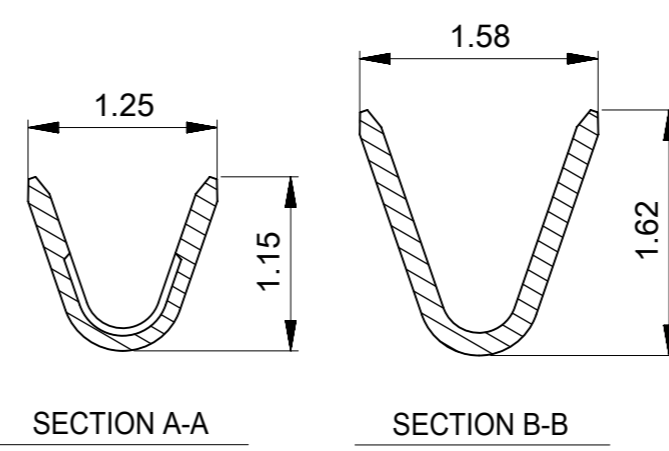
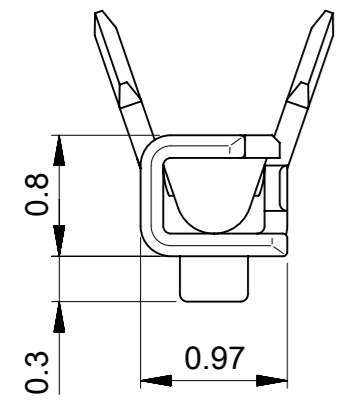
NOTE

1. 材料及び仕上げ(めっき仕様):TABLE 1  
MATERIAL AND FINISHES:SEE TABLE 1

2. 適合ハウジング : 502380-\*\*\*\*  
APPLICABLE HOUSING:502380-\*\*\*\*

3. 錫めっき品 製品番号:502381-0000  
MATERIAL No. FOR TIN PLATING:502381-0000

4. 図示の斜線部の範囲は、接点部のため、傷,打痕,汚れなどを付けないようにして下さい。  
PLEASE DON'T DAMAGE,DON'T DENT,  
AND DON'T MAKE IT DIRTY.  
BECAUSE THE RANGE IN THE SHADED PORTION  
SHOWN IN FIGURE IS THE CONTACT AREA.



1 TABLE 1

部品 PART	材質 MATERIAL
ターミナル TERMINAL	銅合金 COPPER ALLOY
	めっき仕様(前めっき) PLATING(PRE-PLATING)
	金めっき(接点部) : 0.1 micro-meter MIN. GOLD PLATING(CONTACT AREA)
	錫めっき(バレル部両面) : 0.4 micro-meter MIN. MATTE TIN PLATING(BOTH SIDES OF BARREL AREA)
	ニッケルめっき(下地) : 0.1 micro-meter MIN. NICKEL(UNDER PLATING)

Φ0.78-1.07mm	AWG#26-28	リール REEL	502381-0010	連鎖状 CHAIN
絶縁被覆外形範囲 INS. RANGE	適用電線範囲 WIRE RANGE	梱包形態 PACKAGING	製品番号 MATERIAL No.	端子形状 FORM

THIS DRAWING CONTAINS INFORMATION THAT IS PROPRIETARY TO MOLEX ELECTRONIC TECHNOLOGIES, LLC AND SHOULD NOT BE USED WITHOUT WRITTEN PERMISSION

DIMENSION UNITS mm	SCALE NTS	CURRENT REV DESC:			<b>molex</b>		
GENERAL TOLERANCES (UNLESS SPECIFIED)		EC NO: 606408					
ANGULAR TOL	± 3.0 °	DRWN: AISHIKAWA	2018/02/01	PRODUCT CUSTOMER DRAWING			
4 PLACES	± 0.2	CHK'D: AIDA	2018/10/30	DOCUMENT NUMBER			
3 PLACES	± 0.2	APPR: TKANEKO	2018/10/30	5023810010-SD			
2 PLACES	± 0.2	INITIAL REVISION:		DOC TYPE	DOC PART	REVISION	
1 PLACE	± 0.2	DRWN: AISHIKAWA	2018/02/01	PSD	000	A	
0 PLACES	± 0.2	APPR: TKANEKO	2018/10/30	SHEET NUMBER			
DRAFT WHERE APPLICABLE MUST REMAIN WITHIN DIMENSIONS		THIRD ANGLE PROJECTION	DRAWING	SERIES	MATERIAL NUMBER	CUSTOMER	SHEET NUMBER
			A3-SIZE	502381	SEE CHART	GENERAL	1 OF 1