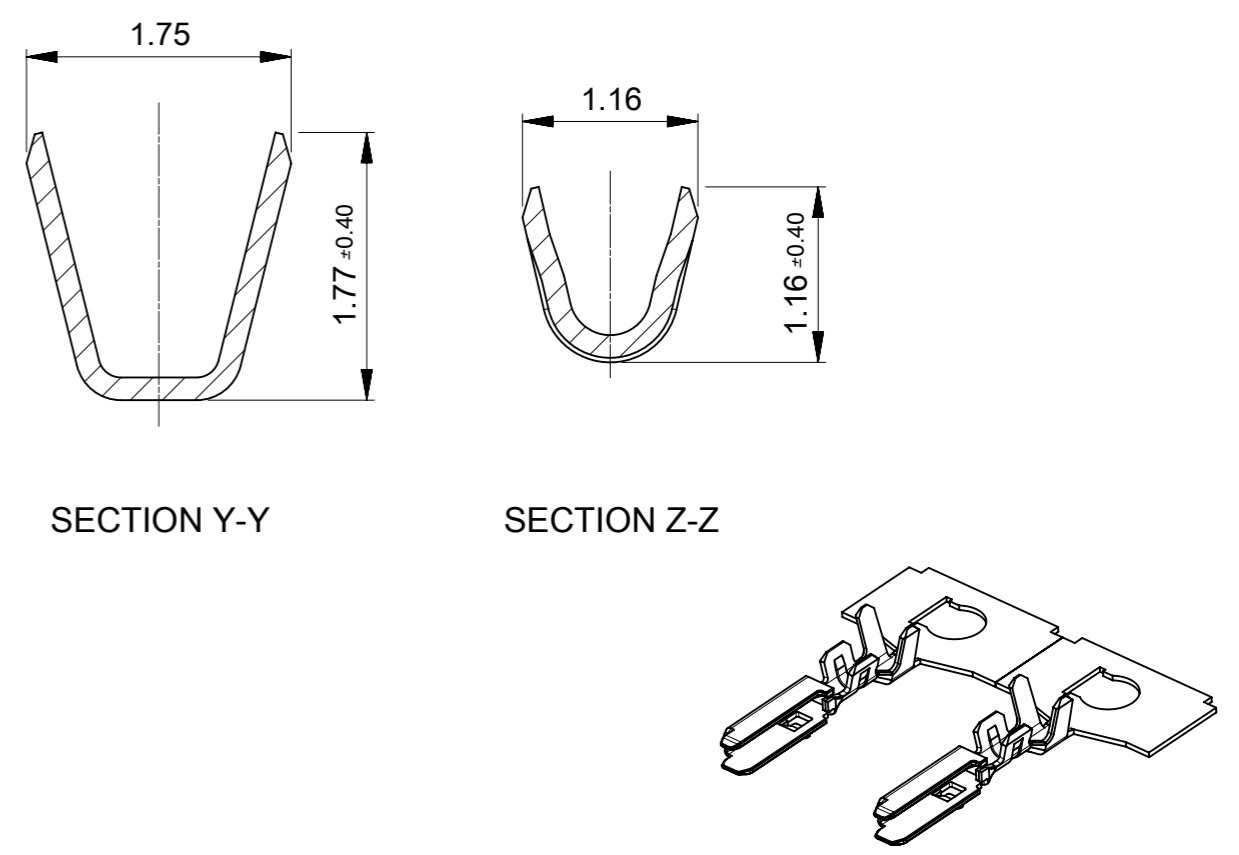
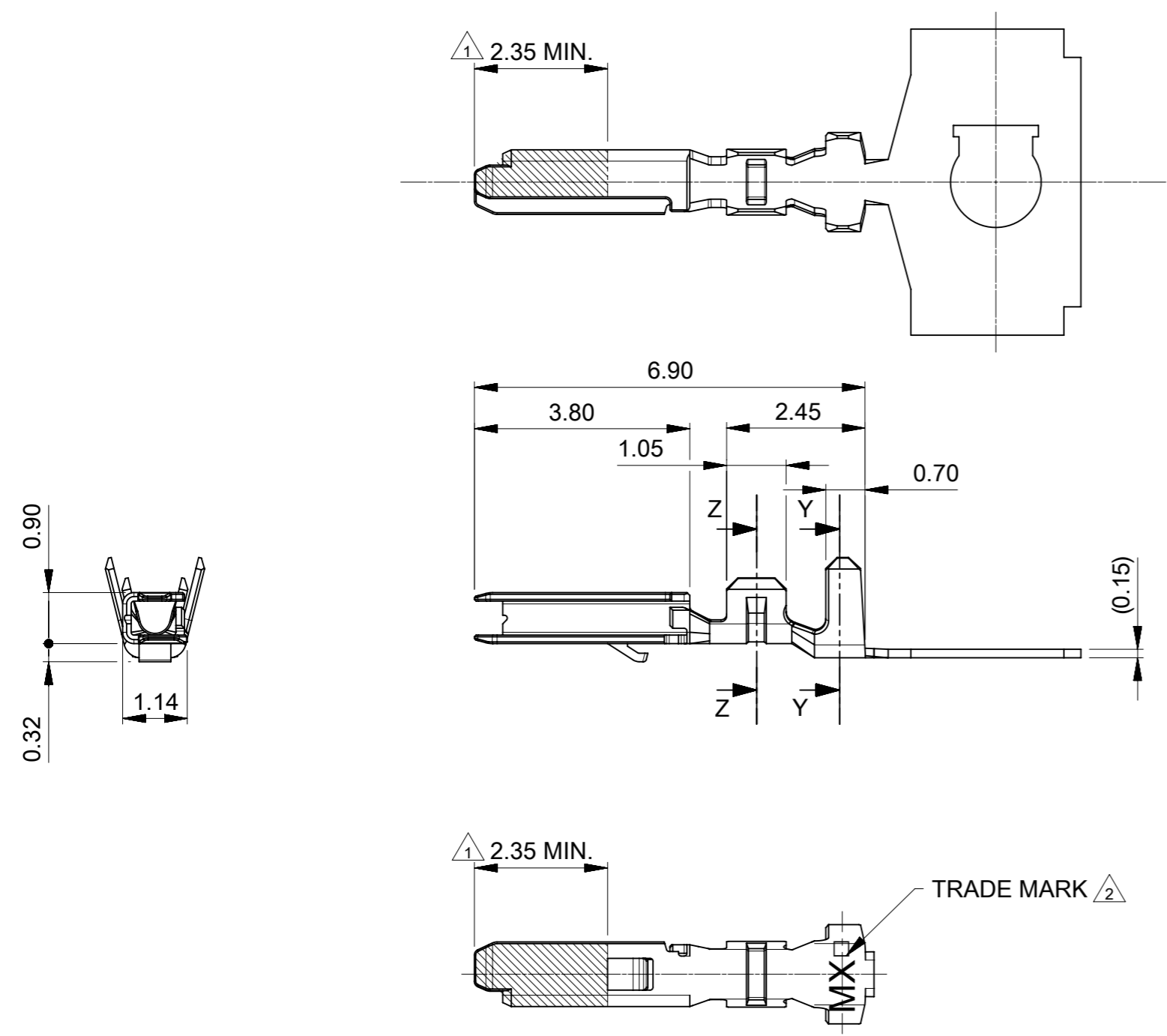


NOTES

- △1 図示の斜線部の範囲は、接点部のため傷、打痕、汚れなどをつけないようにしてください
PLEASE DON'T DAMAGE, DON'T DENT, AND DON'T MAKE IT DIRTY, BECAUSE THE RANGE IN THE HATCHING AREA SHOWN IN FIGURE IS THE CONTACT AREA.
- △2 トレードマーク：MXプラス1文字の製造工場を示すアルファベットにて表示。ただし"J"はJAPANを示す。(例：MXJ)
- 3. 適用電線違い：502579シリーズ（ケーブルサイズ：AWG #24-28）
SIMILAR PRODUCT THAT DIFFERENCE IS APPLICABLE CABLE SIZE: 502579 SERIES (CABLE SIZE: AWG #24-28)



部品 PART	材質 MATERIAL
ターミナル TERMINAL	銅合金 COPPER ALLOY
	錫めっき : 0.4 micro-meters MIN リフロー処理(前めっき) MATTE TIN REFLOW TREATMENT (PRE-PLATING)
	ニッケルめっき(下地) : 0.1 micro-meters MIN NICKEL PLATING (UNDER PLATING)

∅0.7-1.02mm	AWG #26-30	503429 0000	連鎖状 CHAIN
絶縁被覆外形範囲 INS RANGE	適用電線範囲 WIRE RANGE	オーダー番号 ORDER NO	端子形状 FORM

THIS DRAWING CONTAINS INFORMATION THAT IS PROPRIETARY TO MOLEX ELECTRONIC TECHNOLOGIES, LLC AND SHOULD NOT BE USED WITHOUT WRITTEN PERMISSION

DIMENSION UNITS mm	SCALE NTS	CURRENT REV DESC:		molex		
GENERAL TOLERANCES (UNLESS SPECIFIED)		EC NO: 632623				
ANGULAR TOL	± 3.0°	DRWN: MIKEDA01	2019/04/11	CRIMP TERMINAL TIN PLATING AWG26-30		
4 PLACES	± 0.2	CHK'D: SAKIYAMA	2020/02/28	PRODUCT CUSTOMER DRAWING		
3 PLACES	± 0.2	APPR: KOMURAKAMI	2020/03/03	DOCUMENT NUMBER		
2 PLACES	± 0.2	INITIAL REVISION:		5034290000-SD		
1 PLACE	± 0.2	DRWN: MIKEDA01	2019/04/11	DOC TYPE	DOC PART	REVISION
0 PLACES	± 0.2	APPR: KOMURAKAMI	2020/03/03	PSD	000	A
DRAFT WHERE APPLICABLE MUST REMAIN WITHIN DIMENSIONS		THIRD ANGLE PROJECTION	DRAWING	SERIES	MATERIAL NUMBER	CUSTOMER
		⊕	A3-SIZE	503429	5034290000	GENERAL
						SHEET NUMBER
						1 OF 2

適用製品及び各種仕様書

APPLICABLE PRODUCTS AND VARIOUS SPECIFICATIONS

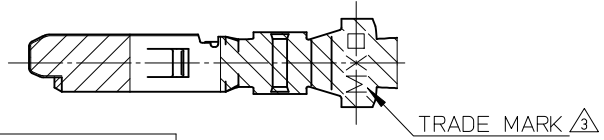
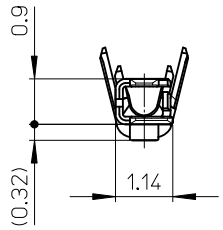
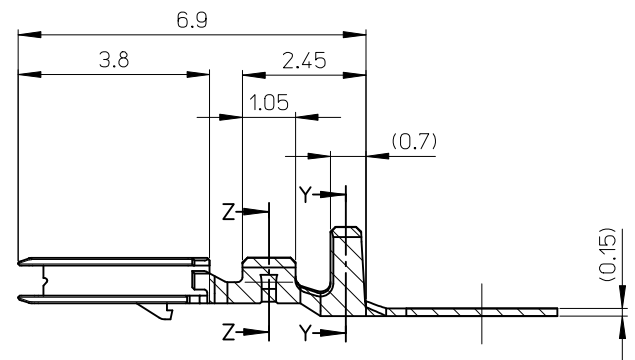
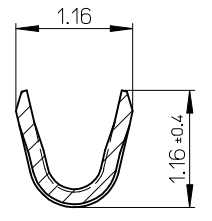
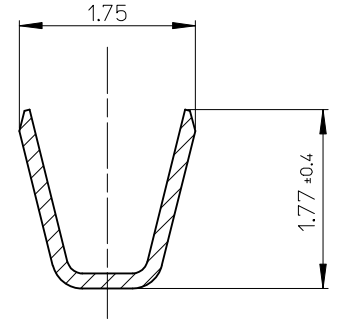
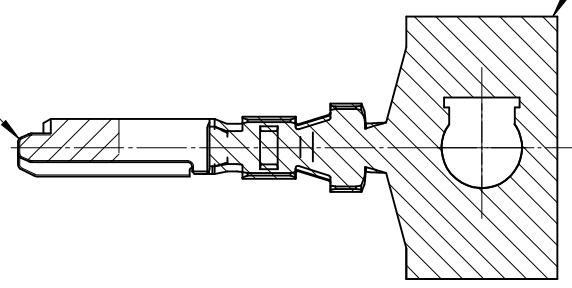
梱包仕様書 PACKING SPECIFICATION	PART NUMBER 503429 **00	SPECIFICATION NUMBER SPK-503429-001			
適用ハウジング APPLICABLE HOUSING	SINGLE TYPE				
シリーズ番号 SERIES No	502578				
適用嵌合相手 MATE WITH	SMT		THROUGH HOLE		BOTTOM ENTRY
	TIN PLATING		TIN PLATING		TIN PLATING
	VERTICAL	RIGHT ANGLE	VERTICAL	RIGHT ANGLE	VERTICAL
シリーズ番号 SERIES No	502584	502585	503159	503175	503395
製品仕様書 PRODUCT SPECIFICATION	5025780000-PS		5025780002-PS		5025780003-PS
取扱説明書 APPLICATION SPECIFICATION	AS-502578-001				

適用ハウジング APPLICABLE HOUSING	DUAL TYPE	
シリーズ番号 SERIES No	503149	
適用嵌合相手 MATE WITH	SMT	
	TIN PLATING	
	VERTICAL	RIGHT ANGLE
シリーズ番号 SERIES No	503154	503148
製品仕様書 PRODUCT SPECIFICATION	5031490000-PS	5031490001-PS
取扱説明書 APPLICATION SPECIFICATION	AS-503149-001	

THIS DRAWING CONTAINS INFORMATION THAT IS PROPRIETARY TO MOLEX ELECTRONIC TECHNOLOGIES, LLC AND SHOULD NOT BE USED WITHOUT WRITTEN PERMISSION									
DIMENSION UNITS	SCALE	CURRENT REV DESC:				molex			
mm	NTS					CLIK-MATE 1.5 CRIMP TERMINAL TIN PLATING AWG26-30			
GENERAL TOLERANCES (UNLESS SPECIFIED)		EC NO: 632623 DRWN: MIKEDA01 2019/04/11 CHK'D: SAKIYAMA 2020/02/28 APPR: KOMURAKAMI 2020/03/03				PRODUCT CUSTOMER DRAWING			
ANGULAR TOL ± 3.0 °						INITIAL REVISION:			
4 PLACES ± 0.2						DRWN: MIKEDA01 2019/04/11			
3 PLACES ± 0.2						APPR: KOMURAKAMI 2020/03/03			
2 PLACES ± 0.2						DRWN: MIKEDA01 2019/04/11			
1 PLACE ± 0.2		APPR: KOMURAKAMI 2020/03/03							
0 PLACES ± 0.2		DOCUMENT NUMBER		DOC TYPE	DOC PART	REVISION			
		5034290000-SD		PSD	000	A			
DRAFT WHERE APPLICABLE MUST REMAIN WITHIN DIMENSIONS		THIRD ANGLE PROJECTION	DRAWING	SERIES	MATERIAL NUMBER	CUSTOMER	SHEET NUMBER		
			A3-SIZE	503429	5034290000	GENERAL	2 OF 2		

△ Au PLATING AREA

Sn PLATING AREA



NOTES

- 適合ハウジング: 502578****, 503149****
APPLICABLE HOUSING: 502578****, 503149****
- 図示の斜線部の範囲は、接点部のため、傷、打痕、汚れなどを付けないようにして下さい。
PLEASE DON'T DAMAGE, DON'T DENT, AND DON'T MAKE IT DIRTY. BECAUSE THE RANGE IN THE SHADED PORTION SHOWN IN FIGURE IS THE CONTACT AREA.
- トレードマーク: MX プラス1文字の製造工場を示すアルファベットにて表示。但し「J」は JAPAN を示す。(例 MXJ)
FORMED BY MX AND 1 MORE LETTER OF ALPHABET WHICH MEAN THE MANUFACTORY. BUT "J" MEANS JAPAN. (TO TRADE MARK) (e.g. MXJ)
- ELV 及び RoHS 適合品
ELV AND RoHS COMPLIANT

部品 PART	材質 MATERIAL 5034291***
銅合金 COPPER ALLOY	
コンタクト部 CONTACT POS.	金めっき: 0.2 micro-meter MIN. GOLD リフロー処理 (前めっき) REFLOW TREATMENT (PRE-PLATED)
バレル部 BARREL POS.	錫めっき: 1.0 micro-meter MIN. TIN リフロー処理 (前めっき) REFLOW TREATMENT (PRE-PLATED)
ターミナル TERMINAL	ニッケルめっき(下地): 0.1 micro-meter MIN. NICKEL (UNDER PLATING) リフロー処理 (前めっき) REFLOW TREATMENT (PRE-PLATED)

RELEASED EC NO: J2015-0528 DRWN:TAKAIKE 2014/10/24 CHKD:KASAKAWA 2015/02/16 APPR:NUKITA 2015/02/16	GENERAL TOLERANCES (UNLESS SPECIFIED)		DIMENSION STYLE	
	0.25 UNDER	UNDER	± 0.03	MM ONLY
	0.25 OVER	0.5 UNDER	± 0.05	DRAWN BY TAKAIKE
	0.5 OVER	1.0 UNDER	± 0.1	DATE 2014/10/24
	1.0 OVER	30 UNDER	± 0.2	CHECKED BY KASAKAWA
30 OVER		± 0.25	DATE 2015/02/16	
ANGULAR	± 3 °		APPROVED BY NUKITA	
			DATE 2015/02/16	
	DRAFT WHERE APPLICABLE MUST REMAIN WITHIN DIMENSIONS		MATERIAL NO.	TITLE
A			SEE TABLE	1.5W/B CONN PLUG TERMINAL

φ0.7-1.02mm	AWG#26-30	5034291100	バラ状 LOOSE
		5034291000	連鎖状 CHAIN
絶縁被覆外径範囲 INS. RANGE	適用電線範囲 WIRE RANGE	製品番号 MATERIAL NO.	端子形状 FORM
SCALE 10:1	DESIGN UNITS METRIC	THIRD ANGLE PROJECTION	

DOCUMENT NO. SD-503429-002		SHEET NO. 1 OF 1
THIS DRAWING CONTAINS INFORMATION THAT IS PROPRIETARY TO MOLEX INCORPORATED AND SHOULD NOT BE USED WITHOUT WRITTEN PERMISSION		