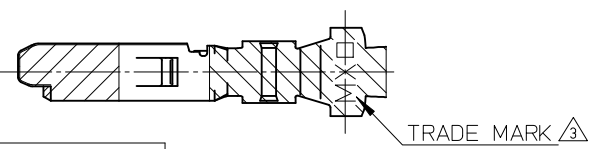
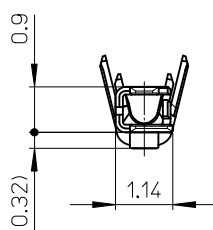
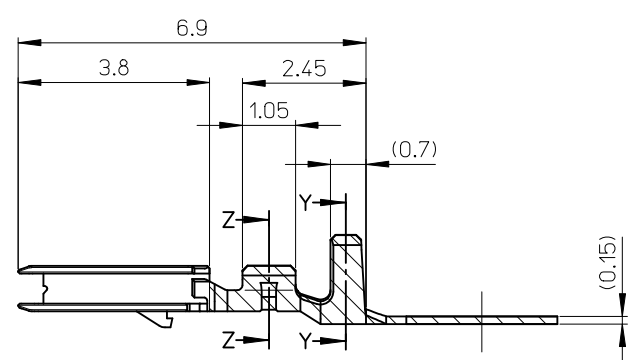
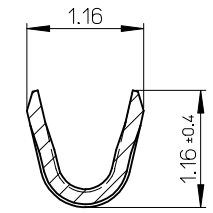
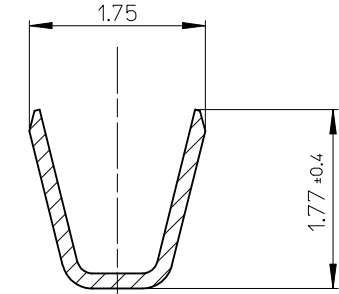
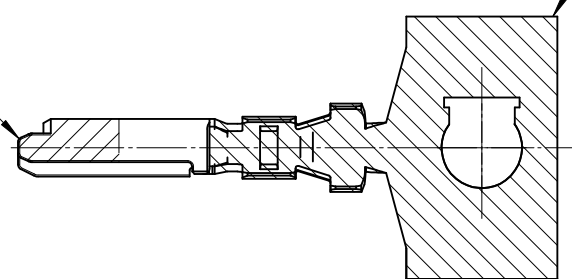


△ Au PLATING AREA

Sn PLATING AREA



NOTES

- 適合ハウジング: 502578****, 503149****
APPLICABLE HOUSING: 502578****, 503149****
- 図示の斜線部の範囲は、接点部のため、傷、打痕、汚れなどを付けないようにして下さい。
PLEASE DON'T DAMAGE, DON'T DENT, AND DON'T MAKE IT DIRTY. BECAUSE THE RANGE IN THE SHADED PORTION SHOWN IN FIGURE IS THE CONTACT AREA.
- トレードマーク: MX プラス1文字の製造工場を示すアルファベットにて表示。但し「J」は JAPAN を示す。(例 MXJ)
FORMED BY MX AND 1 MORE LETTER OF ALPHABET WHICH MEAN THE MANUFACTORY. BUT "J" MEANS JAPAN. (TO TRADE MARK) (e.g. MXJ)
- ELV 及び RoHS 適合品
ELV AND RoHS COMPLIANT

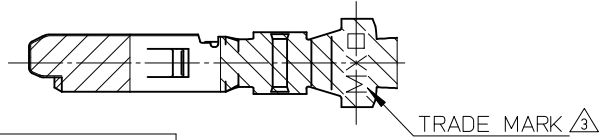
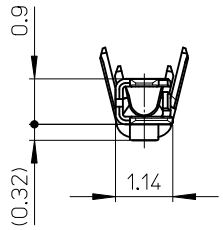
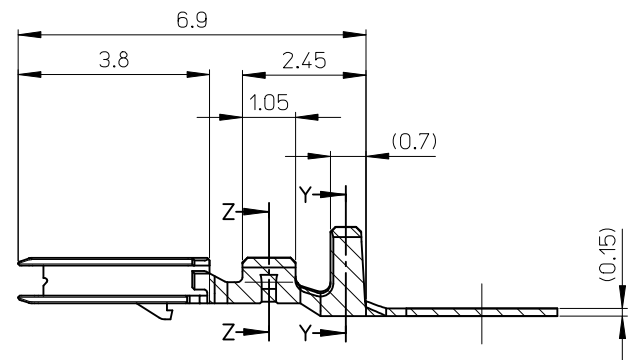
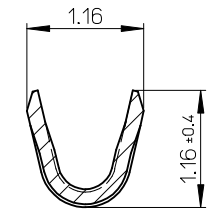
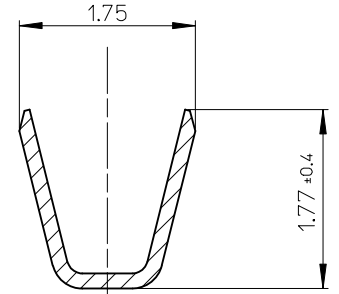
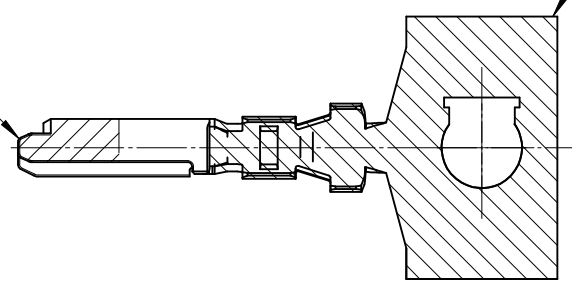
| | |
|---------------------|---|
| 部品 PART | 材質 MATERIAL 5034291*** |
| 銅合金 COPPER ALLOY | |
| コンタクト部 CONTACT POS. | 金めっき: 0.2 micro-meter MIN. GOLD リフロー処理 (前めっき) REFLOW TREATMENT (PRE-PLATED) |
| バレル部 BARREL POS. | 錫めっき: 1.0 micro-meter MIN. TIN リフロー処理 (前めっき) REFLOW TREATMENT (PRE-PLATED) |
| ターミナル TERMINAL | ニッケルめっき(下地): 0.1 micro-meter MIN. NICKEL (UNDER PLATING) リフロー処理 (前めっき) REFLOW TREATMENT (PRE-PLATED) |

| | | | | |
|---|---------------------------------------|-----------|---------------------|--------------------|
| RELEASED EC NO: J2015-0528 DRWN: TAKAIKE 2014/10/24 CHKD: KASAKAWA 2015/02/16 APPR: NUKITA 2015/02/16 | GENERAL TOLERANCES (UNLESS SPECIFIED) | | DIMENSION STYLE | |
| | 0.25 UNDER | UNDER | ± 0.03 | MM ONLY |
| | 0.25 OVER | 0.5 UNDER | ± 0.05 | DRAWN BY DATE |
| | 0.5 OVER | 1.0 UNDER | ± 0.1 | TAKAIKE 2014/10/24 |
| | 1.0 OVER | 30 UNDER | ± 0.2 | CHECKED BY DATE |
| 10 OVER | 30 UNDER | ± 0.25 | KASAKAWA 2015/02/16 | |
| 30 OVER | | ± 0.3 | APPROVED BY DATE | |
| ANGULAR | ± 3 ° | | NUKITA 2015/02/16 | |
| DRAFT WHERE APPLICABLE MUST REMAIN WITHIN DIMENSIONS | | | | MATERIAL NO. |
| A | | | | SEE TABLE |

| | | | |
|---|---------------------|------------------------|-----------|
| φ0.7-1.02mm | AWG#26-30 | 5034291100 | バラ状 LOOSE |
| | | 5034291000 | 連鎖状 CHAIN |
| 絶縁被覆外径範囲 INS. RANGE | 適用電線範囲 WIRE RANGE | 製品番号 MATERIAL NO. | 端子形状 FORM |
| SCALE 10:1 | DESIGN UNITS METRIC | THIRD ANGLE PROJECTION | |
| 1.5W/B CONN PLUG TERMINAL | | | |
| molex | | DOCUMENT NO. | SHEET NO. |
| SEE TABLE | | SD-503429-002 | 1 OF 1 |
| THIS DRAWING CONTAINS INFORMATION THAT IS PROPRIETARY TO MOLEX INCORPORATED AND SHOULD NOT BE USED WITHOUT WRITTEN PERMISSION | | | |

△ Au PLATING AREA

Sn PLATING AREA



NOTES

- 適合ハウジング: 502578****, 503149****
APPLICABLE HOUSING: 502578****, 503149****
- 図示の斜線部の範囲は、接点部のため、傷、打痕、汚れなどを付けないようにして下さい。
PLEASE DON'T DAMAGE, DON'T DENT, AND DON'T MAKE IT DIRTY. BECAUSE THE RANGE IN THE SHADED PORTION SHOWN IN FIGURE IS THE CONTACT AREA.
- トレードマーク: MX プラス1文字の製造工場を示すアルファベットにて表示。但し「J」は JAPAN を示す。(例 MXJ)
FORMED BY MX AND 1 MORE LETTER OF ALPHABET WHICH MEAN THE MANUFACTORY. BUT "J" MEANS JAPAN. (TO TRADE MARK) (e.g. MXJ)
- ELV 及び RoHS 適合品
ELV AND RoHS COMPLIANT

| | |
|---------------------|---|
| 部品 PART | 材質 MATERIAL 5034291*** |
| 銅合金 COPPER ALLOY | |
| コンタクト部 CONTACT POS. | 金めっき: 0.2 micro-meter MIN. GOLD リフロー処理 (前めっき) REFLOW TREATMENT (PRE-PLATED) |
| バレル部 BARREL POS. | 錫めっき: 1.0 micro-meter MIN. TIN リフロー処理 (前めっき) REFLOW TREATMENT (PRE-PLATED) |
| ターミナル TERMINAL | ニッケルめっき(下地): 0.1 micro-meter MIN. NICKEL (UNDER PLATING) リフロー処理 (前めっき) REFLOW TREATMENT (PRE-PLATED) |

| | | | | |
|---|--|-----------|---------------------|--------------------|
| RELEASED EC NO: J2015-0528 DRWN: TAKAIKE 2014/10/24 CHKD: KASAKAWA 2015/02/16 APPR: NUKITA 2015/02/16 | GENERAL TOLERANCES (UNLESS SPECIFIED) | | DIMENSION STYLE | |
| | 0.25 UNDER | UNDER | ± 0.03 | MM ONLY |
| | 0.25 OVER | 0.5 UNDER | ± 0.05 | DRAWN BY DATE |
| | 0.5 OVER | 1.0 UNDER | ± 0.1 | TAKAIKE 2014/10/24 |
| | 1.0 OVER | 30 UNDER | ± 0.2 | CHECKED BY DATE |
| 10 OVER | 30 UNDER | ± 0.25 | KASAKAWA 2015/02/16 | |
| 30 OVER | | ± 0.3 | APPROVED BY DATE | |
| | ANGULAR | ± 3 ° | NUKITA 2015/02/16 | |
| | DRAFT WHERE APPLICABLE MUST REMAIN WITHIN DIMENSIONS | | MATERIAL NO. | |
| A | | | SEE TABLE | |

| | | | |
|---------------------|---------------------|------------------------|-----------|
| φ0.7-1.02mm | AWG#26-30 | 5034291100 | バラ状 LOOSE |
| | | 5034291000 | 連鎖状 CHAIN |
| 絶縁被覆外径範囲 INS. RANGE | 適用電線範囲 WIRE RANGE | 製品番号 MATERIAL NO. | 端子形状 FORM |
| | | | |
| SCALE 10:1 | DESIGN UNITS METRIC | THIRD ANGLE PROJECTION | |

| | | | |
|------------------|--|---|--|
| TITLE | | 1.5W/B CONN PLUG TERMINAL | |
| DRAWN BY DATE | | TAKAIKE 2014/10/24 | |
| CHECKED BY DATE | | KASAKAWA 2015/02/16 | |
| APPROVED BY DATE | | NUKITA 2015/02/16 | |
| MATERIAL NO. | | DOCUMENT NO. | |
| SEE TABLE | | SD-503429-002 | |
| SIZE A3 | | THIS DRAWING CONTAINS INFORMATION THAT IS PROPRIETARY TO MOLEX INCORPORATED AND SHOULD NOT BE USED WITHOUT WRITTEN PERMISSION | |
| | | SHEET NO. 1 OF 1 | |