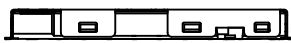
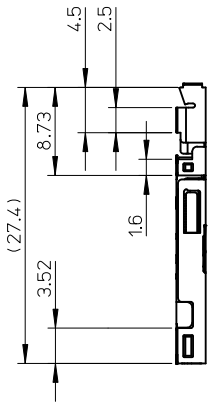
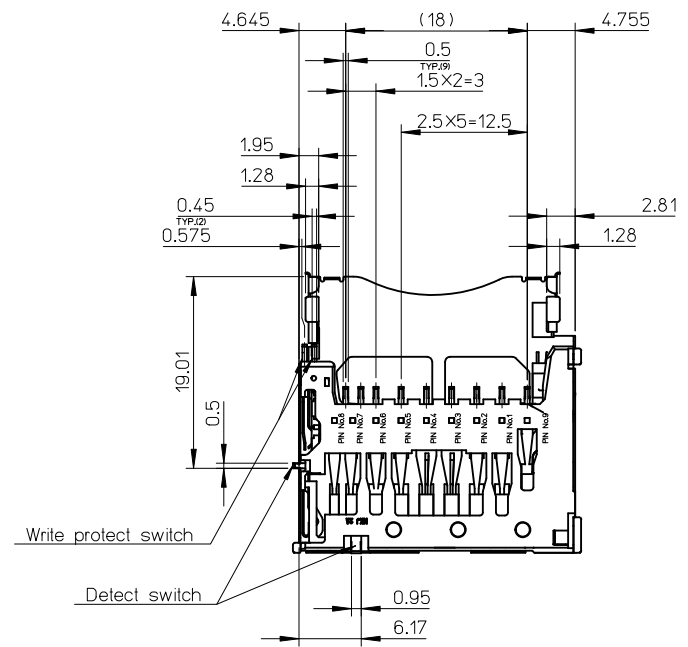
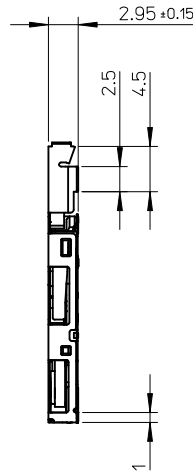
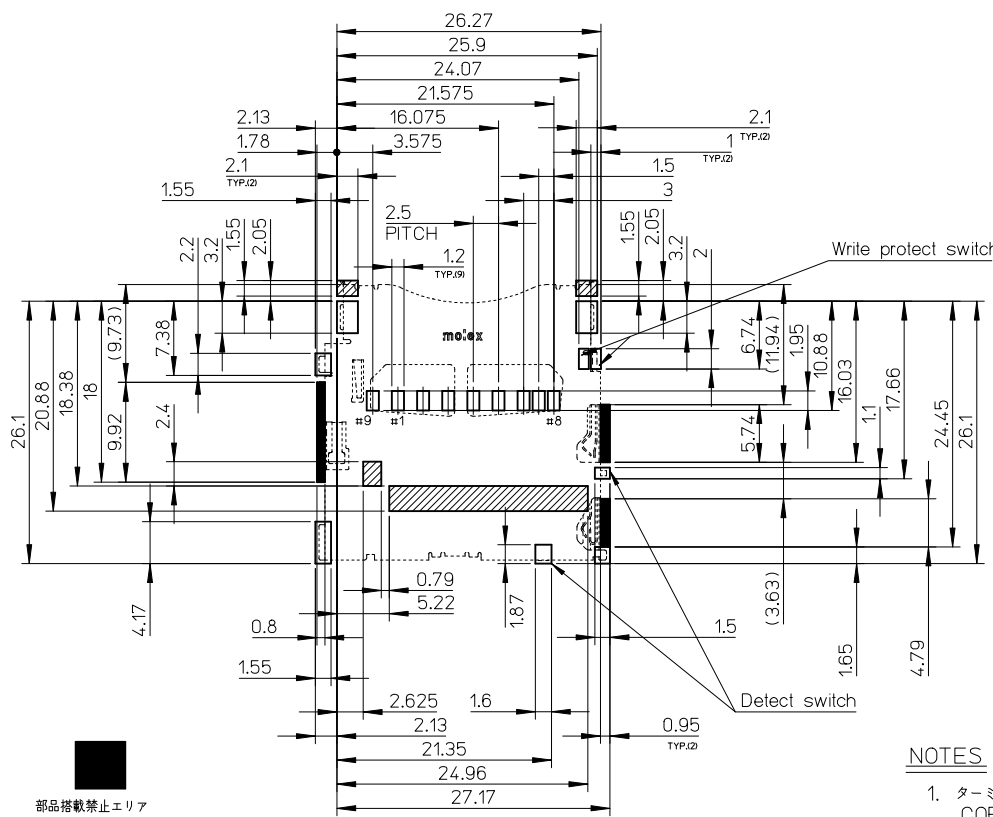


CARD CENTER



| | |
|-----------------------------------|----------|
| 503500-0991 | 9 |
| EMBOSSED TAPE | 極数 |
| ORDER No. オーダー番号 | CIRCUITS |
| CONNECTOR SERIES NO. 503500-***11 | |

| | | | | | | | | | | |
|--|---------------------------------------|--|----------------------------|------------------------|-----------------|---|--|--|------------------------|--|
| REVISED EC NO: J2010-1552 DRWN: YNAITO 2010/02/01 CHKD: MTOMITA 2010/02/01 APPR: NUKITA 2010/02/01 REV: B | GENERAL TOLERANCES (UNLESS SPECIFIED) | | DIMENSION STYLE MM ONLY | | SCALE 2:1 | | DESIGN UNITS METRIC | | THIRD ANGLE PROJECTION | |
| | 10 UNDER | ± 0.2 | DRAWN BY YNAITO | | DATE 2009/09/11 | | TITLE SD CARD CONN.PUSH/PUSH NORMAL ASSY | | | |
| | 10 OVER 30 UNDER | ± 0.25 | CHECKED BY MTOMITA | | DATE 2009/09/11 | | MOLEX INCORPORATED DOCUMENT NO. SD-503500-001 SHEET NO. 1 OF 2 | | | |
| | 30 OVER | ± 0.3 | APPROVED BY NUKITA | | DATE 2009/09/11 | | | | | |
| ANGULAR ± 1 ° | | DRAFT WHERE APPLICABLE MUST REMAIN WITHIN DIMENSIONS | | MATERIAL NO. SEE CHART | | THIS DRAWING CONTAINS INFORMATION THAT IS PROPRIETARY TO MOLEX INCORPORATED AND SHOULD NOT BE USED WITHOUT WRITTEN PERMISSION | | | | |



部品搭載禁止エリア
PROHIBITED AREA

パターン禁止エリア
PATTERN PROHIBITION AREA
注: コネクタ投影面上の半田付けは禁止

RECOMMENDED
PCB PATTERN LAYOUT
(GENERAL TOLERANCE : ±0.05)

| 番号 No. | 名称 NAME | 材料 MATERIAL |
|--------|-----------------------------------|--|
| ① | ハウジング HOUSING | 耐熱樹脂 HEAT RESISTANCE POLYMER |
| ② | ターミナル TERMINAL | 銅合金、接点部: 金めっき 半田付部: 錫めっき 下地: ニッケルめっき COPPER ALLOY, CONTACT AREA: GOLD TAIL AREA: TIN UNDER PLATING: NICKEL |
| ③ | メタルシェル METAL SHELL | 銅合金 COPPER ALLOY |
| ④ | カムスライダー CAM SLIDER | 耐熱樹脂 HEAT RESISTANCE POLYMER |
| ⑤ | ディテクトスイッチ DETECT SWITCH | 銅合金、接点部: 金めっき 半田付部: 金めっき 下地: ニッケルめっき COPPER ALLOY, CONTACT AREA: GOLD TAIL AREA: GOLD UNDER PLATING: NICKEL |
| ⑥ | ライトプロテクトスイッチ WRITE PROTECT SWITCH | 銅合金、接点部: 金めっき 半田付部: 錫めっき 下地: ニッケルめっき COPPER ALLOY, CONTACT AREA: GOLD TAIL AREA: TIN UNDER PLATING: NICKEL |
| ⑦ | スプリング SPRING | ピアノ線 SWP |
| ⑧ | カムピン CAM PIN | ステンレス鋼 STAINLESS STEEL |

CONFIDENTIAL

NOTES

- ターミナル及びネイルの平坦度は0.1MAX.とする。
COPLANARITY OF TERMINAL AND NAIL IS TO BE 0.1MAX.
- ロット印字は任意とする
LOT NUMBERING IS TO BE OPTIONAL.
- 肉抜き位置は任意とする。
CAVITY IS TO BE OPTIONAL.
- 本製品の側面にはカード挿抜時に一部金属が突出する箇所があります。該当箇所は部品搭載禁止エリアとなりますので、ご注意ください。
There are the places that the part of metal stands out at the side of the connector when the card insertion. The area is prohibited to place the other parts.

6. ELV及びRoHS適合品
ELV AND RoHS COMPLIANT.

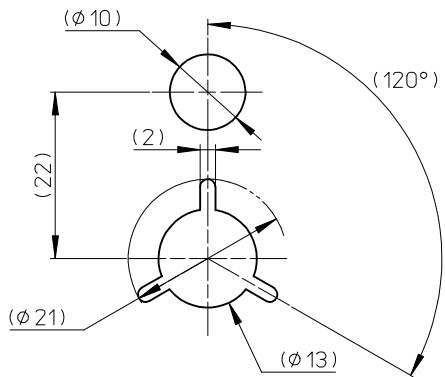
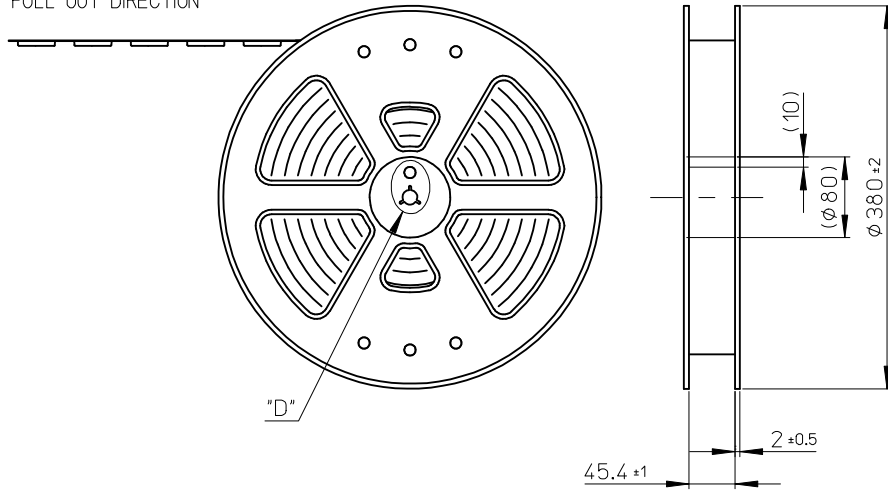
ロットNo. : 9 07 0 7 0
西暦 (1桁目) MONTH 7 : 7月
THE YEAR OF GRACE 10 : 10月
9 : 2009年 DAY 07 : 07日
ラインNo. LINE No.

2. 各スイッチのオープン/クローズ
OPENING/CLOSE OF EACH SWITCH

| | プロテクトターミナル PROTECT TERMINAL | | ディテクトターミナル DETECT TERMINAL |
|-------------------------------|--|---|-------------------------------|
| | カード書き込み 禁止状態 WRITE PROTECT POSITION | カード書き込み 可能状態 WRITE ENABLE POSITION | |
| カード未装着状態 CARD UNINSERTION | オープン OPEN | オープン OPEN | オープン OPEN |
| カード装着 AFTER CARD INSERTION | オープン OPEN | クローズ CLOSE | クローズ CLOSE |

| | | | | | | | |
|---|---------------------------------------|--|----------------------------|--------------------|--|------------------------|---------------------------|
| SEE SHEET 1 OF 2 EC NO. J2010-1552 DRWN: YNAITO 2010/02/01 CHKD: MTOMITA 2010/02/01 APPR: NUKITA 2010/02/01 | GENERAL TOLERANCES (UNLESS SPECIFIED) | | DIMENSION STYLE MM ONLY | | SCALE 2:1 | DESIGN UNITS METRIC | THIRD ANGLE PROJECTION |
| | 10 UNDER | ±0.2 | DRAWN BY YNAITO | DATE 2009/09/11 | TITLE SD CARD CONN.PUSH/PUSH NORMAL ASSY | | |
| | 10 OVER 30 UNDER | ±0.25 | CHECKED BY MTOMITA | DATE 2009/09/11 | MOLEX MOLEX INCORPORATED | | |
| | 30 OVER | ±0.3 | APPROVED BY NUKITA | DATE 2009/09/11 | DOCUMENT NO. SD-503500-001 | SHEET NO. 2 OF 2 | |
| | ANGULAR ±1° | DRAFT WHERE APPLICABLE MUST REMAIN WITHIN DIMENSIONS | | SEE SHEET 1 OF 2 | THIS DRAWING CONTAINS INFORMATION THAT IS PROPRIETARY TO MOLEX INCORPORATED AND SHOULD NOT BE USED WITHOUT WRITTEN PERMISSION | | |

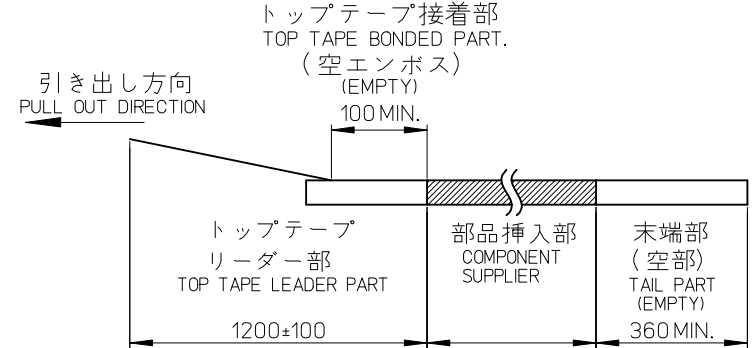
引き出し方向
PULL OUT DIRECTION



DETAIL "D"

NOTES

- 製品詳細寸法については、SD 図面を参照下さい。
RE DETAILED DIMENSION, SEE SALES DRAWING.
- 梱包数量 : 500 個/リール
NUMBER OF CONNECTORS : 500 PCS/REEL.
- リードテープ長さ LEAD TAPE LENGTH.

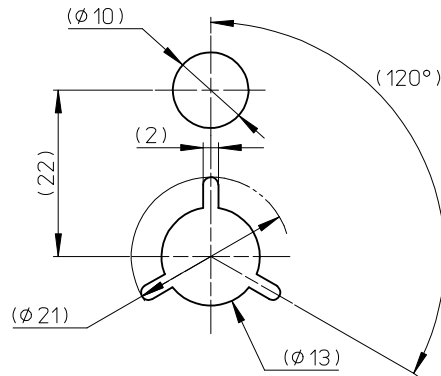
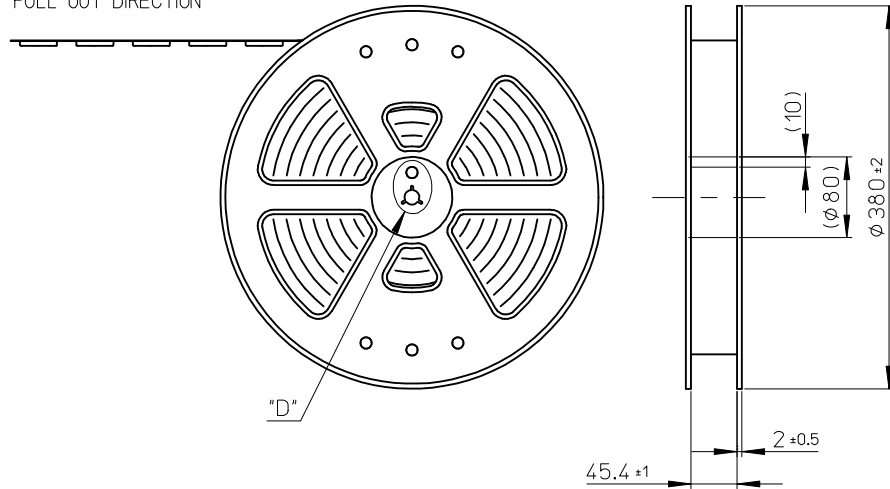


- 材料 MATERIAL
キャリアテープ (CARRIER TAPE) : ポリスチレン (POLYSTYRENE)
トップテープ (TOP TAPE) : PET, PE, PEF
リール (REEL) : ポリスチレン (PS) <リサイクル材含む>
POLYSTYRENE (PS) <RECYCLE MATERIAL CONTAINED>
- ELV 及び RoHS 適合品。
ELV AND RoHS COMPLIANT

| | |
|-----------------------------------|----------|
| 503500-0991 | 9 |
| EMBOSSSED TAPE | 極数 |
| ORDER No. オーダー番号 | CIRCUITS |
| CONNECTOR SERIES NO. 503500-***11 | |

| | | | | | | | |
|---|---------------------------------------|--|----------------------------|---|--|------------------------|------------------------|
| REVISED EC NO.: J2017-0195 DRW: FANLIYAMA 2016/09/21 CHKD: TAKAHASHI 2016/09/21 APPR: KUSUHARA01 2016/09/29 | GENERAL TOLERANCES (UNLESS SPECIFIED) | | DIMENSION STYLE MM ONLY | | SCALE 4:1 | DESIGN UNITS METRIC | THIRD ANGLE PROJECTION |
| | 0.25 UNDER | ±0.03 | DRAWN BY YNAITO | DATE 09/12/25 | TITLE SD CARD CONN. NORMAL PUSH/PUSH EMBOSSSED TAPE PACKAGE | | |
| | 0.25 OVER 0.5 UNDER | ±0.05 | CHECKED BY MTOMITA | DATE 09/12/25 | molex | | |
| | 0.5 OVER 1.0 UNDER | ±0.1 | APPROVED BY NUKITA | DATE 09/12/25 | | | |
| | 1.0 OVER 10 UNDER | ±0.2 | MATERIAL NO. | DOCUMENT NO. | SEE CHART | SD-503500-002 | SHEET NO. 1 OF 2 |
| 10 OVER 30 UNDER | ±0.25 | DRAFT WHERE APPLICABLE MUST REMAIN WITHIN DIMENSIONS | | THIS DRAWING CONTAINS INFORMATION THAT IS PROPRIETARY TO MOLEX ELECTRONIC TECHNOLOGIES, LLC AND SHOULD NOT BE USED WITHOUT WRITTEN PERMISSION | | | |
| 30 OVER | ±0.3 | SIZE A3 | | | | | |
| ANGULAR | ±1 ° | | | | | | |

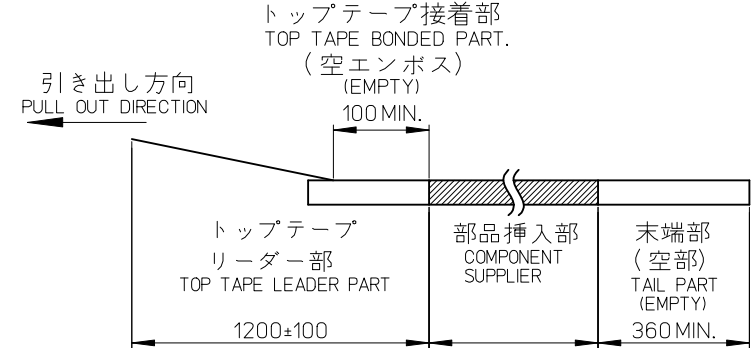
引き出し方向
PULL OUT DIRECTION



DETAIL "D"

NOTES

- 製品詳細寸法については、SD 図面を参照下さい。
RE DETAILED DIMENSION, SEE SALES DRAWING.
- 梱包数量 : 500 個/リール
NUMBER OF CONNECTORS : 500 PCS/REEL.
- リードテープ長さ LEAD TAPE LENGTH.

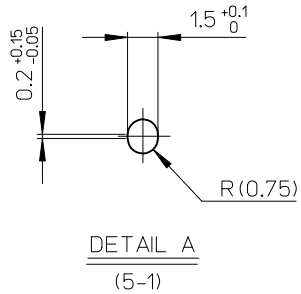
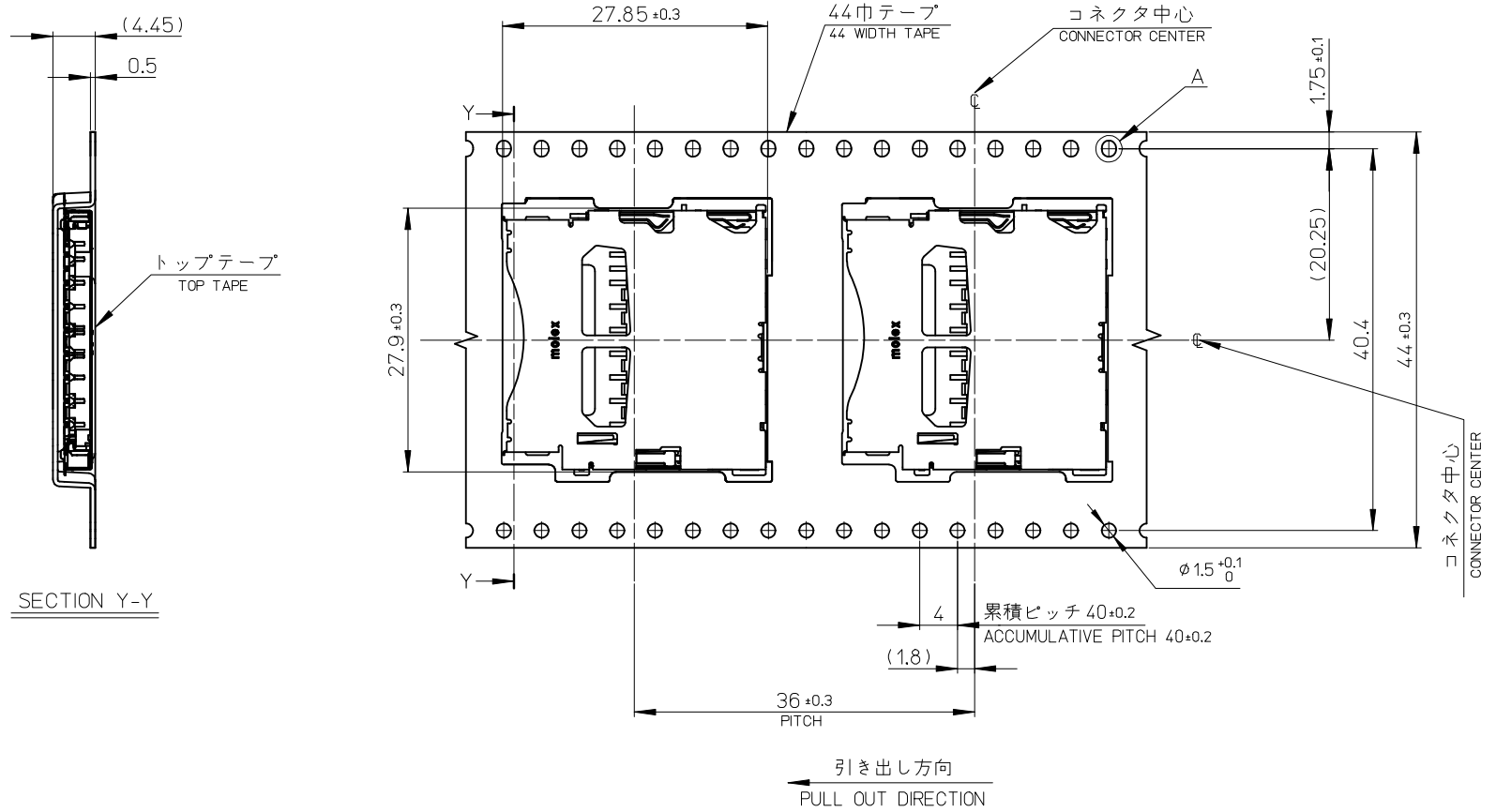


- 材料 MATERIAL
キャリアテープ (CARRIER TAPE) : ポリスチレン (POLYSTYRENE)
トップテープ (TOP TAPE) : PET, PE, PEF
リール (REEL) : ポリスチレン (PS) <リサイクル材含む>
POLYSTYRENE (PS) <RECYCLE MATERIAL CONTAINED>
- ELV 及び RoHS 適合品。
ELV AND RoHS COMPLIANT

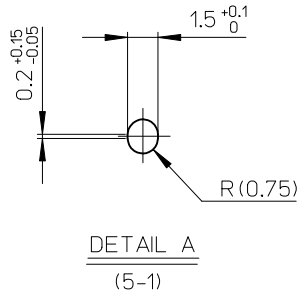
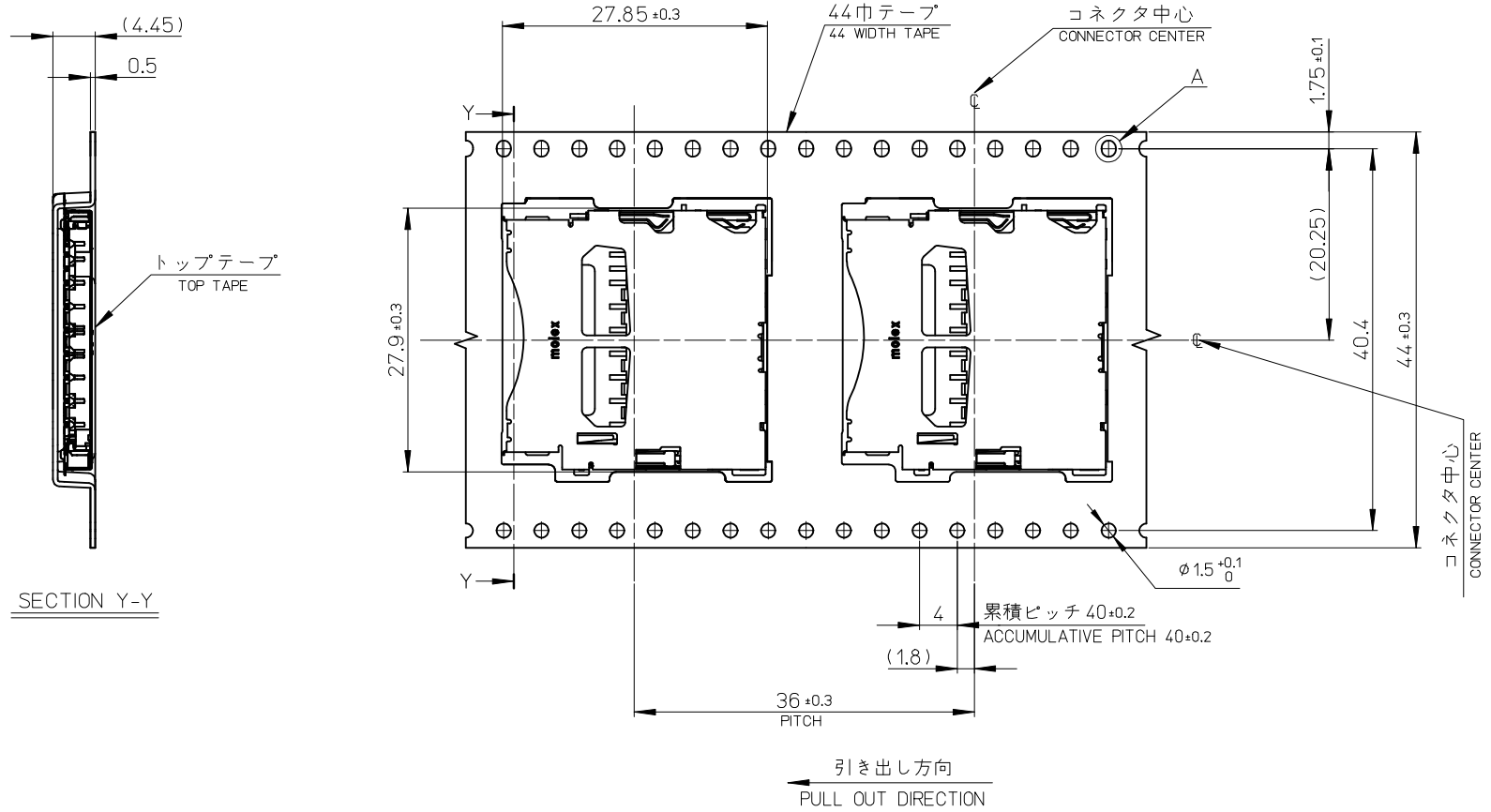
| | |
|-----------------------------------|----------|
| 503500-0991 | 9 |
| EMBOSSSED TAPE | 極数 |
| ORDER No. オーダー番号 | CIRCUITS |
| CONNECTOR SERIES NO. 503500-***11 | |

ib_frame_A3_J_AM_S
Rev J 2015/09/01

| | | | | | | | |
|---|---------------------------------------|---|----------------------------|------------------|--|------------------------|------------------------|
| REVISED EC NO.: J2017-0195 DRWN: FANIYAMA 2016/09/21 CHKD: TAKAHASHI 2016/09/21 APPR: KUSUHARA01 2016/09/29 | GENERAL TOLERANCES (UNLESS SPECIFIED) | | DIMENSION STYLE MM ONLY | | SCALE 4:1 | DESIGN UNITS METRIC | THIRD ANGLE PROJECTION |
| | 0.25 UNDER | ± 0.03 | DRAWN BY YNAITO | DATE 09/12/25 | TITLE SD CARD CONN. NORMAL PUSH/PUSH EMBOSSSED TAPE PACKAGE | | |
| | 0.25 OVER 0.5 UNDER | ± 0.05 | CHECKED BY MTOMITA | DATE 09/12/25 | molex | | |
| | 0.5 OVER 1.0 UNDER | ± 0.1 | APPROVED BY NUKITA | DATE 09/12/25 | MATERIAL NO. | DOCUMENT NO. | SHEET NO. |
| | 1.0 OVER 10 UNDER | ± 0.2 | SEE CHART | | SD-503500-002 | 1 OF 2 | |
| 10 OVER 30 UNDER | ± 0.25 | THIS DRAWING CONTAINS INFORMATION THAT IS PROPRIETARY TO MOLEX ELECTRONIC TECHNOLOGIES, LLC AND SHOULD NOT BE USED WITHOUT WRITTEN PERMISSION | | | | | |
| 30 OVER | ± 0.3 | | | | | | |
| ANGULAR | ± 1 ° | | | | | | |
| DRAFT WHERE APPLICABLE MUST REMAIN WITHIN DIMENSIONS | | | | | | | |



| | | | | | | | | |
|---|---------------------------------------|--|----------------------------|---|--|------------------------|------------------------|--|
| SEE SHEET 1 OF 2 EC NO.: J2017-0195 DRWN: F. TANIYAMA 2016/09/21 CHKD: K. TAKAHASHI 2016/09/21 APPR: T. KUSUHARA01 2016/09/29 | GENERAL TOLERANCES (UNLESS SPECIFIED) | | DIMENSION STYLE MM ONLY | | SCALE 4:1 | DESIGN UNITS METRIC | THIRD ANGLE PROJECTION | |
| | 0.25 UNDER | ±0.03 | DRAWN BY YNAITO | DATE 09/12/25 | TITLE SD CARD CONN. NORMAL PUSH/PUSH EMBOSSSED TAPE PACKAGE | | | |
| | 0.25 OVER 0.5 UNDER | ±0.05 | CHECKED BY MTOMITA | DATE 09/12/25 | molex DOCUMENT NO. SD-503500-002 SHEET NO. 2 OF 2 | | | |
| | 0.5 OVER 1.0 UNDER | ±0.1 | APPROVED BY NUKITA | DATE 09/12/25 | | | | |
| | 1.0 OVER 10 UNDER | ±0.2 | MATERIAL NO. | THIS DRAWING CONTAINS INFORMATION THAT IS PROPRIETARY TO MOLEX ELECTRONIC TECHNOLOGIES, LLC AND SHOULD NOT BE USED WITHOUT WRITTEN PERMISSION | | | | |
| | 10 OVER 30 UNDER | ±0.25 | SIZE A3 | | | | | |
| 30 OVER | ±0.3 | DRAFT WHERE APPLICABLE MUST REMAIN WITHIN DIMENSIONS | | | | | | |



| | | | | | | | |
|---|---------------------------------------|--|----------------------------|------------------|---|------------------------|------------------------|
| SEE SHEET 1 OF 2 EC NO.: J2017-0195 DRW: FTANIYAMA 2016/09/21 CHK: TAKAHASHI 2016/09/21 APPR: KUSUHARA01 2016/09/29 | GENERAL TOLERANCES (UNLESS SPECIFIED) | | DIMENSION STYLE MM ONLY | | SCALE 4:1 | DESIGN UNITS METRIC | THIRD ANGLE PROJECTION |
| | 0.25 UNDER | ± 0.03 | DRAWN BY YNAITO | DATE 09/12/25 | TITLE SD CARD CONN. NORMAL PUSH/PUSH EMBOSSED TAPE PACKAGE molex DOCUMENT NO. SD-503500-002 SHEET NO. 2 OF 2 | | |
| | 0.25 OVER 0.5 UNDER | ± 0.05 | CHECKED BY MTOMITA | DATE 09/12/25 | | | |
| | 0.5 OVER 1.0 UNDER | ± 0.1 | APPROVED BY NUKITA | DATE 09/12/25 | | | |
| | 1.0 OVER 10 UNDER | ± 0.2 | MATERIAL NO. | | | | |
| 10 OVER 30 UNDER | ± 0.25 | SEE SHEET 1 OF 2 | | | | | |
| 30 OVER | ± 0.3 | DRAFT WHERE APPLICABLE MUST REMAIN WITHIN DIMENSIONS | | SIZE A3 | THIS DRAWING CONTAINS INFORMATION THAT IS PROPRIETARY TO MOLEX ELECTRONIC TECHNOLOGIES, LLC AND SHOULD NOT BE USED WITHOUT WRITTEN PERMISSION | | |
| ANGULAR | ± 1 ° | | | | | | |