

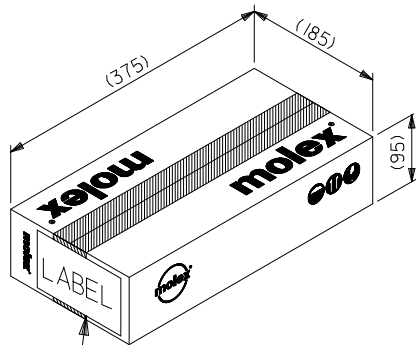
1. 製品名称／PRODUCT NAME : 1.0 WIRE TO BOARD CONN. R/A H=1.5mm REC CRIMP HOUSING
 製品番号／PART NUMBER : 5 0 3 7 6 4 - * * 0 1
 (* * は極数を示す)
 (* * IS CIRCUITS SIZE)

2. 標準梱包数／STANDARD PACKAGING QUANTITY

極 数 CKT. SIZE	ポリ袋 POLY BAG	内装カートン PRIMARY CARTON		外装カートン SHIPPING CARTON
	1 袋中の製品数 QUANTITY IN ONE BAG	ポリ袋の数 NUMBER OF POLY BAG	製品数 QUANTITY	製品数(内装カートン×4) QUANTITY (PRIMARY CARTON X4)
2	5,000	10	50,000	200,000
4	2,000	15	30,000	120,000

REV.	B									
SHEET	1~2									
REVISE ON PC ONLY				TITLE:						
B	REVISED J2014-1288 2014/02/24 Y.TOKUZONO			5 0 3 7 6 4 梱包仕様書 SALES PACKAGING SPEC. FOR 503764						
	THIS DOCUMENT CONTAINS INFORMATION THAT IS PROPRIETARY TO MOLEX INC. AND SHOULD NOT BE USED WITHOUT WRITTEN PERMISSION									
REV.	DESCRIPTION			WRITTEN BY:	CHECKED BY:	APPROVED BY:	DATE: YR/MO/DAY			
	DESIGN CONTROL J	STATUS		Y.TOKUZONO	T.HARUYAMA	H.HIRATA	2013/09/05			
DOCUMENT NUMBER SPK-503764-001							FILE NAME SPK503764001.docx	SHEET 1 OF 2		
EN-037(2013-04 rev.1)										

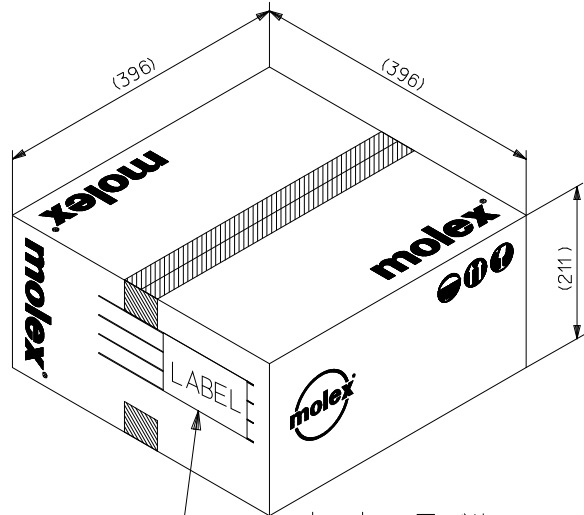
3. カートン外形参考寸法 / CARTON OUTER DIMENSIONS (REFERENCE PURPOSE ONLY) 単位 / UNIT: mm



カートンラベル
CARTON LABEL

(製品型番, 数量, ロットNO. 表示)
INDICATION OF PART No., QUANTITY, LOT No.

内装カートン
PRIMARY CARTON



カートンラベル
CARTON LABEL

(製品型番, 数量, ロットNO. 表示)
INDICATION OF PART No., QUANTITY, LOT No.

外装カートン
SHIPPING CARTON

REVISE ON PC ONLY		TITLE:	
B	SEE SHEET 1 OF 2	5 0 3 7 6 4 梱包仕様書 SALES PACKAGING SPEC. FOR 503764	
	REV.	DESCRIPTION	THIS DOCUMENT CONTAINS INFORMATION THAT IS PROPRIETARY TO MOLEX INC. AND SHOULD NOT BE USED WITHOUT WRITTEN PERMISSION
DOCUMENT NUMBER SPK-503764-001		FILE NAME SPK503764001.docx	SHEET 2 OF 2
EN-037(2013-04 rev.1)			