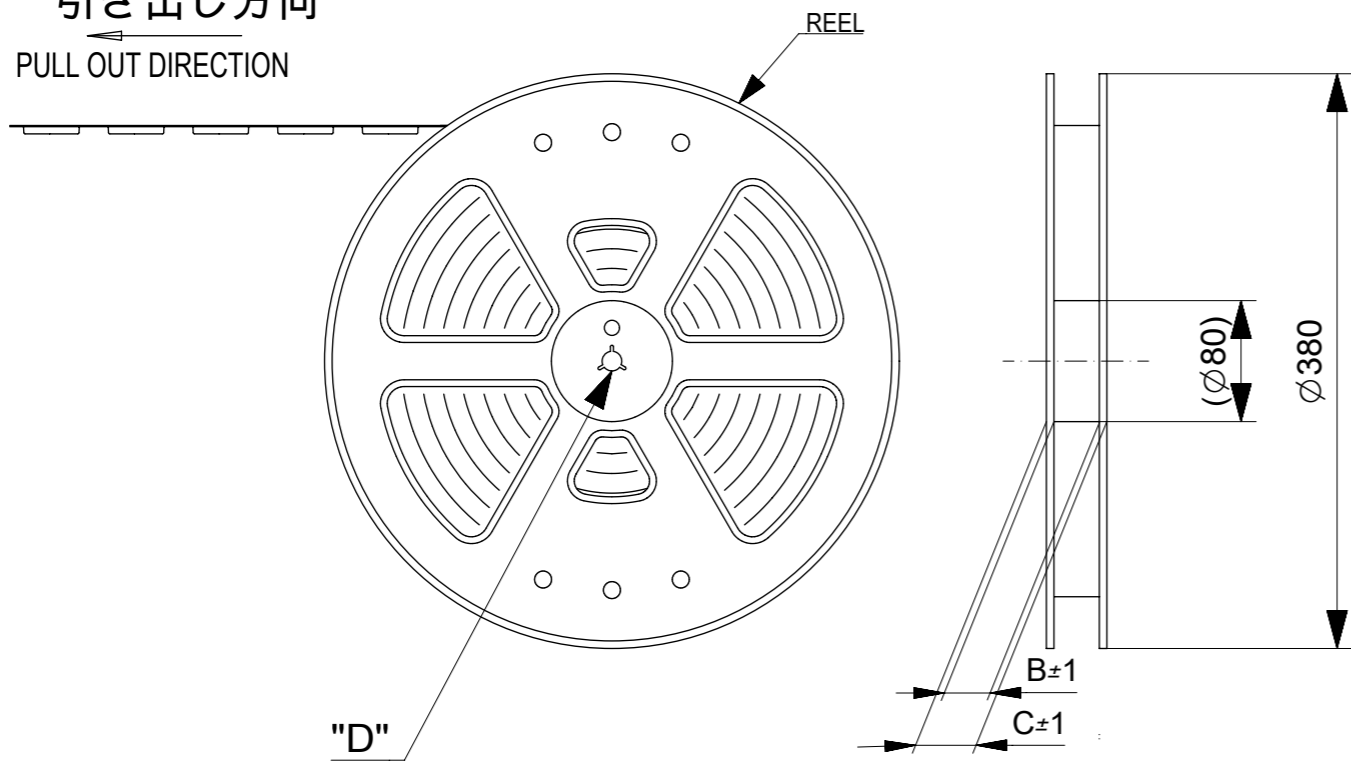
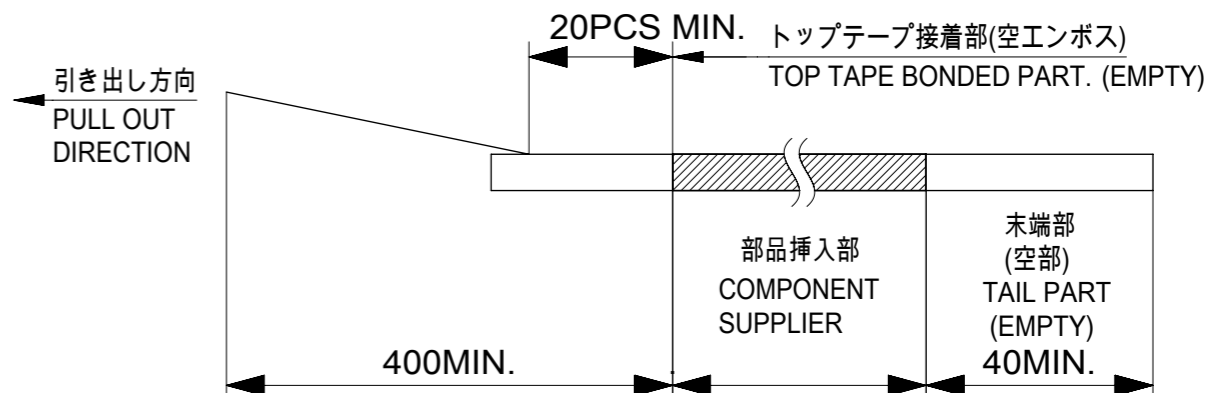


引き出し方向  
PULL OUT DIRECTION

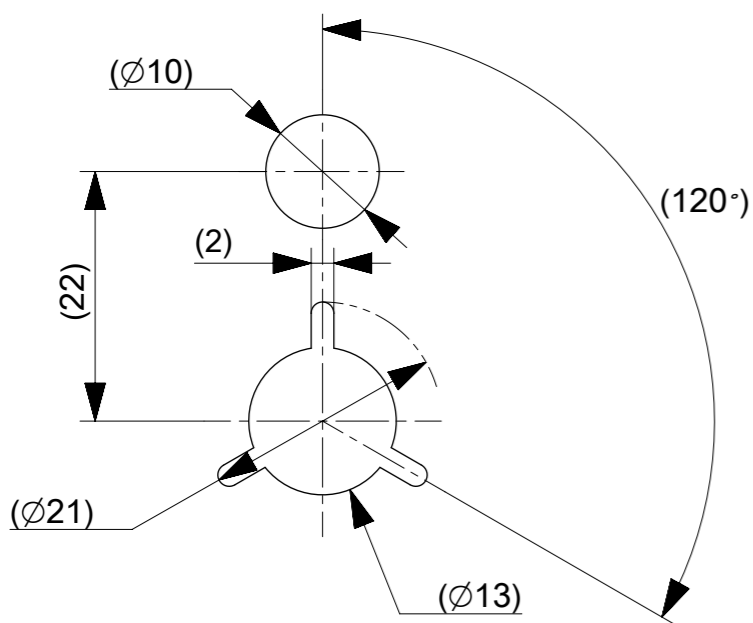


注記 NOTES

- 製品詳細寸法については製品単体図面を参照下さい。  
RE DETAILED DIMENSION, SEE PRODUCT DRAWING.
- 梱包数量：7000個 / リール  
NUMBER OF CONNECTORS : 7000 PCS/REEL.
- リードテープ長さ LEAD TAPE LENGTH.



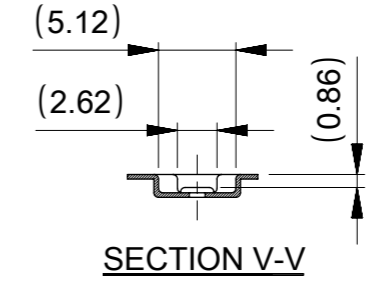
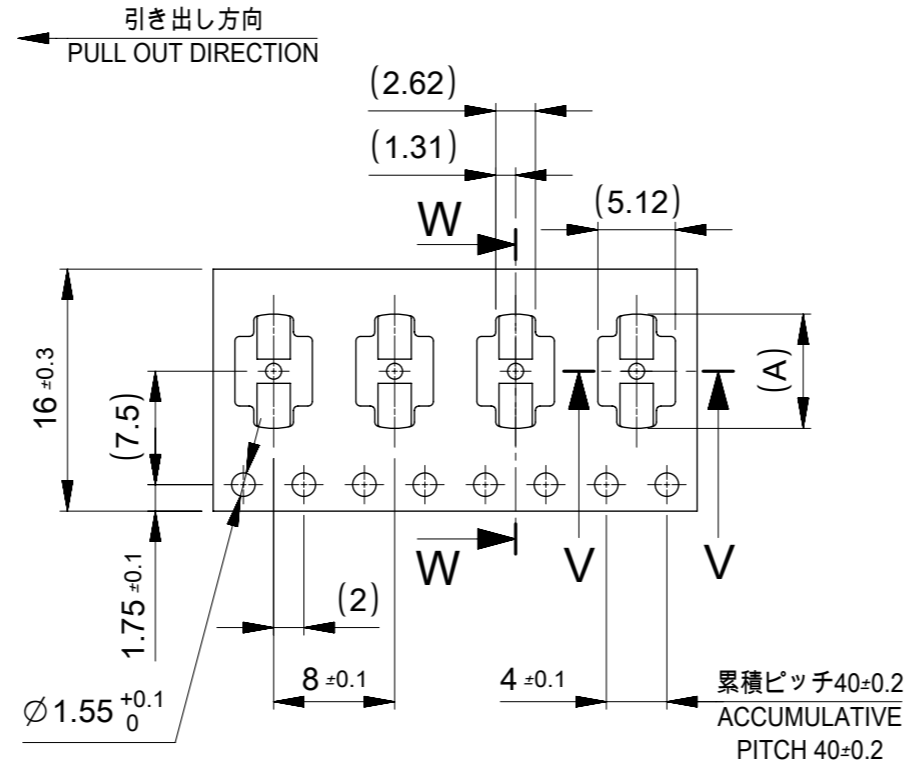
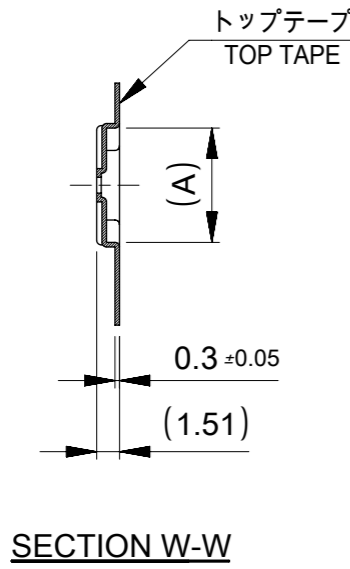
- カバーテープの剥離強度については、IEC60286-3に準拠。  
COVER TAPE PEEL FORCE IS DEFINED BY IEC60286-3.
- 材料 MATERIAL  
キャリアテープ(CARRIER TAPE) : ポリスチレン(POLYSTYRENE)  
トップテープ(TOP TAPE) : PET, OTHER  
リール(REEL) : ポリスチレン(PS) <リサイクル材を含む>  
POLYSTYRENE(PS) <RECYCLE MATERIAL CONTAINED >



DETAIL "D"

THIS DRAWING CONTAINS INFORMATION THAT IS PROPRIETARY TO MOLEX ELECTRONIC TECHNOLOGIES, LLC AND SHOULD NOT BE USED WITHOUT WRITTEN PERMISSION

REVISED	EC NO: 169127	2017/12/06	GENERAL TOLERANCES (UNLESS SPECIFIED)	DIMENSION UNITS	SCALE	<b>molex®</b>				
	DRWN: GB	2017/12/06	ANGULAR TOL ± 3.0 °	mm	NTS					
	CHK'D: TNAKAGAWA01	2017/12/06	4 PLACES ± 0.03	DRWN BY	DATE	0.4 BB CONN. HGT=0.8 REC ASSY EMBSTP PKG				
	REVISION: G	2017/12/06	3 PLACES ± 0.03	ABABU01	2017/09/26					
	DATE: 2015/12/14	REV	MSASAO	2 PLACES ± 0.05	CHK'D BY	DATE	PRODUCT CUSTOMER DRAWING			
	B		1 PLACE ± 0.1	GB	2017/10/05					
			0 PLACES ± 0.2	APPR BY	DATE	SERIES MATERIAL NUMBER CUSTOMER				
			DRAFT WHERE APPLICABLE MUST REMAIN WITHIN DIMENSIONS	GGA	2017/10/05	503772	SEE CHART	GENERAL		
				DRAWING SIZE	THIRD ANGLE PROJECTION	DOCUMENT NUMBER		DOC TYPE	DOC PART	SHEET NUMBER
				A3		5037720000		PSD	003	1 OF 3



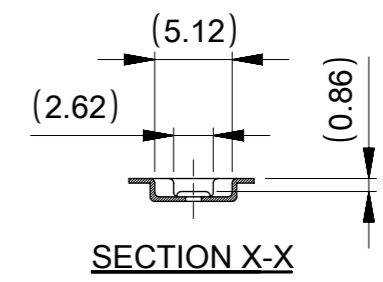
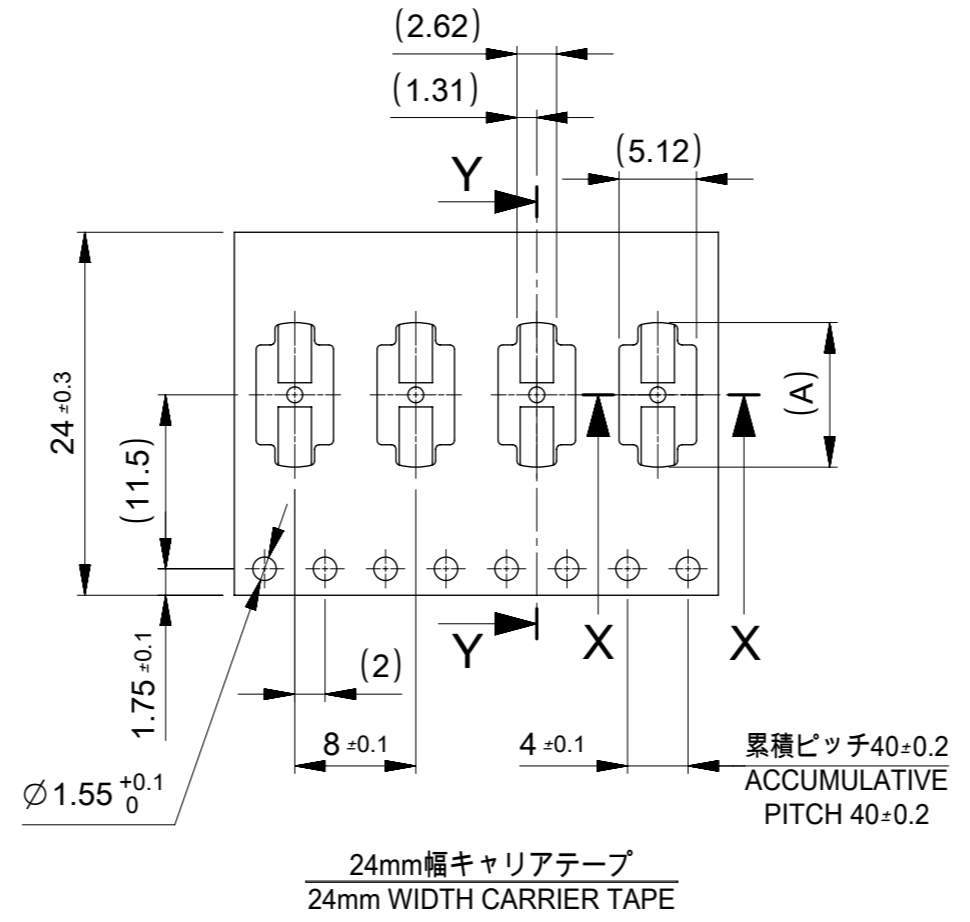
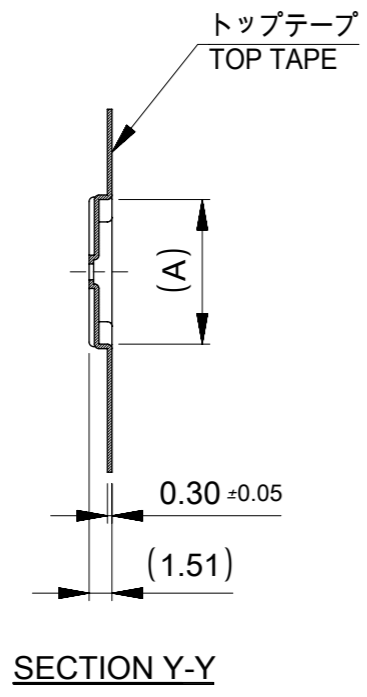
16mm幅キャリアテープ  
16mm WIDTH CARRIER TAPE

16	21.4	17.4	7.56	503772-2420	24
			6.76	503772-2020	20
			5.96	503772-1620	16
			4.76	503772-1020	10
キャリアテープ幅 CARRIER TAPE WIDTH			C	B	(A)
			MATERIAL NO.		CKT.
			MODEL NO.		503772-***0

THIS DRAWING CONTAINS INFORMATION THAT IS PROPRIETARY TO MOLEX ELECTRONIC TECHNOLOGIES, LLC AND SHOULD NOT BE USED WITHOUT WRITTEN PERMISSION

EC NO: 169127 DRWN: GB CHK'D: TNAKAGAWA01 APPR: MSASAO	2017/12/06	2017/12/06	GENERAL TOLERANCES (UNLESS SPECIFIED)		DIMENSION UNITS	SCALE			
	REVISED		ANGULAR TOL ± 3.0 °		mm	NTS			
			4 PLACES	± 0.03	DRWN BY	DATE		0.4 BB CONN. HGT=0.8 REC ASSY EMBSTP PKG	
			3 PLACES	± 0.03	ABABU01	2017/09/26			
			2 PLACES	± 0.05	CHK'D BY	DATE			
			1 PLACE	± 0.1	GB	2017/10/05		PRODUCT CUSTOMER DRAWING	
		0 PLACES	± 0.2	APPR BY	DATE				
DRAFT WHERE APPLICABLE MUST REMAIN WITHIN DIMENSIONS				DRAWING SIZE	THIRD ANGLE PROJECTION	SERIES	MATERIAL NUMBER	CUSTOMER	
				A3		503772	SEE CHART	GENERAL	
						DOCUMENT NUMBER	DOC TYPE	DOC PART	SHEET NUMBER
						5037720000	PSD	003	2 OF 3

引き出し方向  
PULL OUT DIRECTION

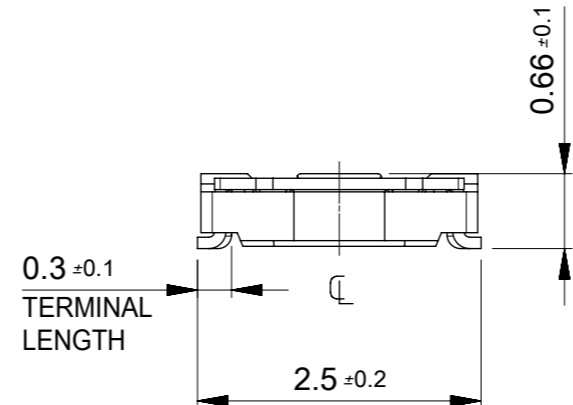
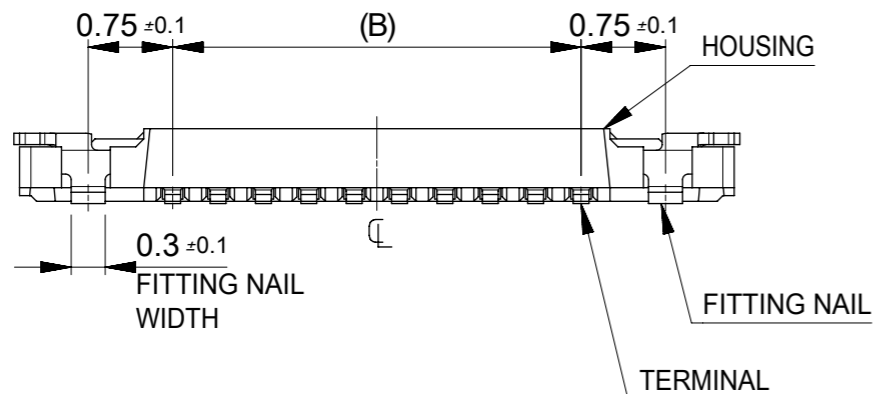
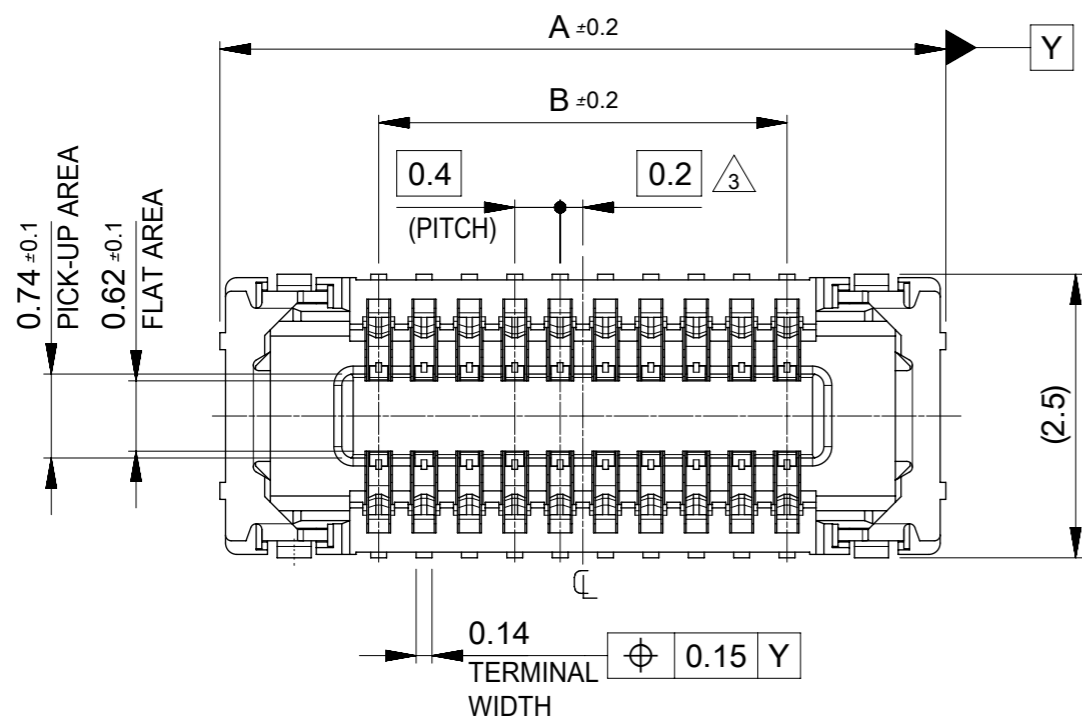


24mm幅キャリアテープ  
24mm WIDTH CARRIER TAPE

24	29.4	25.4	14.76	503772-6020	60
			12.76	503772-5020	50
			10.76	503772-4020	40
			9.56	503772-3420	34
			8.76	503772-3020	30
キャリアテープ幅 CARRIER TAPE WIDTH			C	B	(A)
			MATERIAL NO.		CKT.
			MODEL NO.		503772-***0

THIS DRAWING CONTAINS INFORMATION THAT IS PROPRIETARY TO MOLEX ELECTRONIC TECHNOLOGIES, LLC AND SHOULD NOT BE USED WITHOUT WRITTEN PERMISSION

EC NO: 169127 DRWN: GB CHK'D: TNAKAGAWA01 APPR: MSASAO REV: B	2017/12/06 2017/12/06 2017/12/06	GENERAL TOLERANCES (UNLESS SPECIFIED) ANGULAR TOL ± 3.0 ° 4 PLACES ± 0.03 3 PLACES ± 0.03 2 PLACES ± 0.05 1 PLACE ± 0.1 0 PLACES ± 0.2	DIMENSION UNITS: mm SCALE: NTS				
	DRWN BY: ABABU01 DATE: 2017/09/26	CHK'D BY: GB DATE: 2017/10/05	0.4 BB CONN. HGT=0.8 REC ASSY EMBSTP PKG				
	APPR BY: GGA DATE: 2017/10/05	DRAFT WHERE APPLICABLE MUST REMAIN WITHIN DIMENSIONS			PRODUCT CUSTOMER DRAWING		
	DRAWING SIZE: A3 THIRD ANGLE PROJECTION	SERIES: 503772 MATERIAL NUMBER: SEE CHART CUSTOMER: GENERAL		DOCUMENT NUMBER: 5037720000 DOC TYPE: PSD DOC PART: 003 SHEET NUMBER: 3 OF 3			



注記 NOTES

1. 使用材料 MATERIAL

ハウジング:液晶ポリマー(LCP) UL94V-0(黒)  
 HOUSING : LIQUID CRYSTAL POLYMER UL94V-0 (COLOR : BLACK)  
 ターミナル : 銅合金  
 TERMINAL : COPPER ALLOY  
 金具 : SUS  
 FITTING NAIL : STAINLESS STEEL

2. メッキ仕様 PLATING

ターミナル TERMINAL

金メッキ  
 GOLD  
 下地メッキ : ニッケルメッキ  
 UNDER PLATING : NICKEL  
 ※コンタクト部とテール部はニッケルメッキによって分断されている金メッキです。  
 DIVIDE INTO PARTS THE GOLD PLATING OF THE CONTACT AND THE TAIL PART BY THE NICKEL PLATING.

金具 FITTING NAIL

金メッキ(半田付部のみ)  
 GOLD (SOLDER TAIL ONLY)  
 下地メッキ : ニッケルメッキ  
 UNDER PLATING : NICKEL

△<sub>3</sub> (全極数/2)=偶数の場合に適用。  
 APPLY FOR (CIRCUIT/2)=EVEN.

4. 嵌合相手 : 503776 シリーズ

MATE WITH : 503776 SERIES.

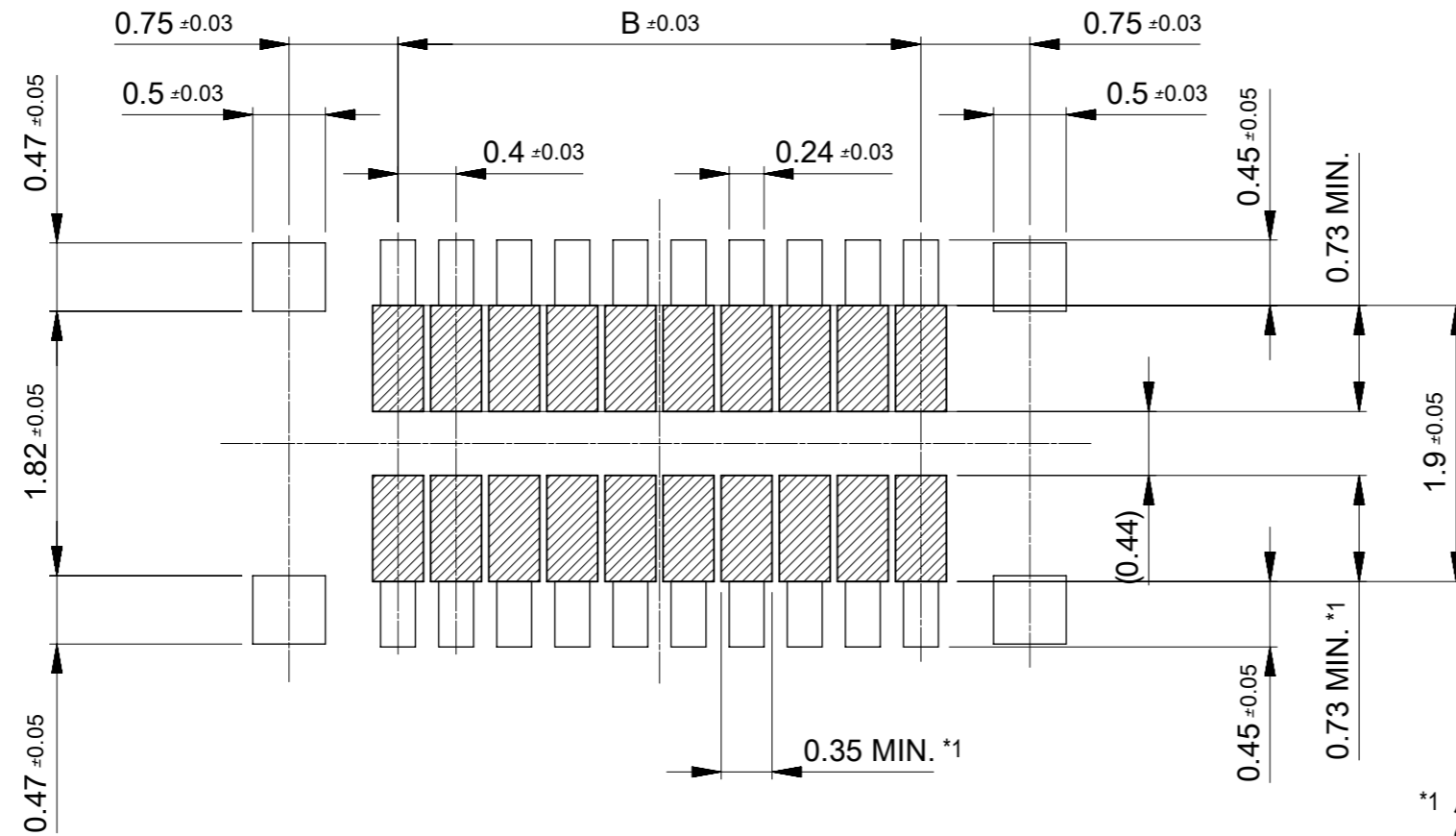
5. テール及び金具の平坦度は、0.08以下。60極は0.1以下。

TAIL AND FITTING NAIL COPLANARITY TO BE 0.08 MAXIMUM.  
 TAIL AND FITTING NAIL COPLANARITY WITH 60ckt TO BE 0.1 MAXIMUM.

11.6	14.4	503772-6020	60
9.6	12.4	503772-5020	50
7.6	10.4	503772-4020	40
6.4	9.2	503772-3420	34
5.6	8.4	503772-3020	30
4.4	7.2	503772-2420	24
3.6	6.4	503772-2020	20
2.8	5.6	503772-1620	16
1.6	4.4	503772-1020	10
B	A	EMBOSSED PACKAGE	極数
		オーダー番号 ORDER No.	CIRCUITS
		CONNECTOR SERIES No. : 503772	

THIS DRAWING CONTAINS INFORMATION THAT IS PROPRIETARY TO MOLEX ELECTRONIC TECHNOLOGIES, LLC AND SHOULD NOT BE USED WITHOUT WRITTEN PERMISSION

EC NO: 168382 DRWN: TNAKAGAWA01 CHK'D: MSASAO APPR: MSASAO	2017/11/30	GENERAL TOLERANCES (UNLESS SPECIFIED)		DIMENSION UNITS	SCALE				
	2017/12/01	ANGULAR TOL ± 3.0 °		mm	15:1				
		4 PLACES	± 0.03	DRWN BY	DATE		0.4 BB CONN. HGT=0.8 W=2.5 REC ASSY		
		3 PLACES	± 0.03	ABABU01	2017/09/26				
		2 PLACES	± 0.05	CHK'D BY	DATE				
	1 PLACE	± 0.1	GB	2017/10/05	PRODUCT CUSTOMER DRAWING				
	0 PLACES	± 0.2	APPR BY	DATE					
			GGA	2017/10/05	SERIES	MATERIAL NUMBER	CUSTOMER		
			DRAFT WHERE APPLICABLE MUST REMAIN WITHIN DIMENSIONS	DRAWING SIZE	THIRD ANGLE PROJECTION	503772	SEE TABLE	GENERAL	
				A3		DOCUMENT NUMBER	DOC TYPE	DOC PART	SHEET NUMBER
						5037721000	PSD	008	1 OF 2



RECOMMENDED P.W.BOARD  
PATTERN LAYOUT

- \*1 パターン引き回し、および半田禁止エリア  
(当該箇所においては、これと接する回路以外の配線を禁止する。  
また、接する回路を配線する場合はレジストを施し、この部分に  
半田は無きこととする。)
- \*1 PROHIBITED AREA OF PATTERN WIRING AND SOLDER.  
(FOR EACH AREA, THE WIRING THAT TOUCHES ON THE SOLDER  
CAN BE ATTACHED, THEN COVERED WITH A FILM TO KEEP SOLDER OUT.)

THIS DRAWING CONTAINS INFORMATION THAT IS PROPRIETARY TO MOLEX ELECTRONIC TECHNOLOGIES, LLC AND SHOULD NOT BE USED WITHOUT WRITTEN PERMISSION

EC NO: 168382 DRWN: TNAKAGAWA01 CHK'D: MSASAO APPR: MSASAO	2017/11/30 2017/12/01 2017/12/01	GENERAL TOLERANCES (UNLESS SPECIFIED)		DIMENSION UNITS	SCALE				
		ANGULAR TOL ± 3.0 °		mm	20:1				
		4 PLACES	± 0.03	DRWN BY	DATE	0.4 BB CONN. HGT=0.8 W=2.5 REC ASSY			
		3 PLACES	± 0.03	ABABU01	2017/09/26				
		2 PLACES	± 0.05	CHK'D BY	DATE				
1 PLACE	± 0.1	GB	2017/10/05	PRODUCT CUSTOMER DRAWING					
0 PLACES	± 0.2	APPR BY	DATE	SERIES	MATERIAL NUMBER	CUSTOMER			
DRAFT WHERE APPLICABLE MUST REMAIN WITHIN DIMENSIONS		GGA	2017/10/05	503772	SEE TABLE	GENERAL			
		DRAWING SIZE	THIRD ANGLE PROJECTION	DOCUMENT NUMBER		DOC TYPE	DOC PART	SHEET NUMBER	
		A3		5037721000		PSD	008	2 OF 2	