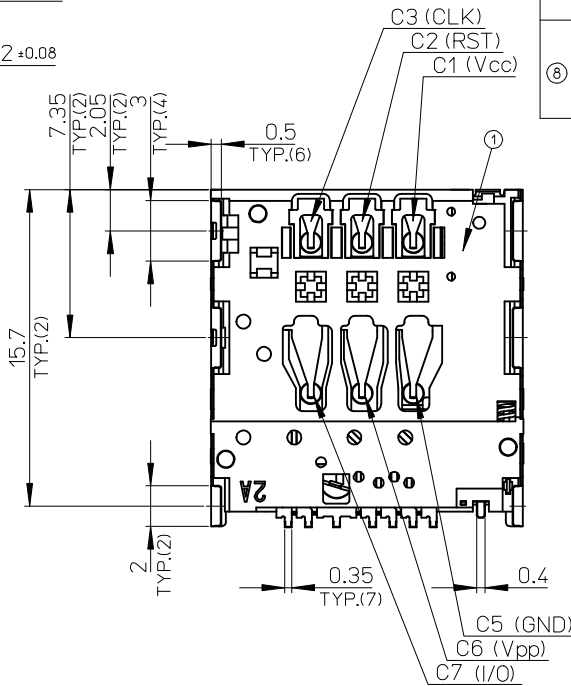


PERSPECTIVE VIEW



| 番号 NO. | 名称 NAME                 | 材料 MATERIAL  | 仕上げ (めっき) FINISHES (PLATING)  |
|--------|-------------------------|--|---|
| ①      | ハウジング HOUSING           | 液晶ポリマー(LCP)、ガラス充填、UL94 V-0、黒 LIQUID CRYSTAL POLYMER (LCP), GLASS FILLED, UL94 V-0, BLACK |   |
| ②      | スライダー SLIDER            | ステンレス鋼 STAINLESS STEEL   |   |
| ③      | ターミナル TERMINAL          | 焼青銅 PHOSPHOR BRONZE  | 接触部: 金めっき(0.5μmMIN.)<br>基板実装部: 金めっき<br>下地: ニッケルめっき(1.0μmMIN.)<br>CONTACT AREA: GOLD PLATING (0.5 MICROMETER MINIMUM)<br>SOLDER TAIL AREA: GOLD PLATING<br>UNDERPLATE: NICKEL OVERALL (1.0 MICROMETER MINIMUM) |
| ④      | シェル SHELL               | 銅合金 COPPER ALLOY   |   |
| ⑤      | スプリング SPRING            | ピアノ線 SWP   | 全面: ニッケルめっき<br>NICKEL OVERALL   |
| ⑥      | ピン PIN                  | ステンレス鋼 STAINLESS STEEL   |   |
| ⑦      | ディテクトレバー DETECT LEVER   | 焼青銅 PHOSPHOR BRONZE  | 接触部: 金めっき(0.2μmMIN.)<br>基板実装部: 金めっき<br>下地: ニッケルめっき(1.0μmMIN.)<br>CONTACT AREA: GOLD PLATING (0.2 MICROMETER MINIMUM)<br>SOLDER TAIL AREA: GOLD PLATING<br>UNDERPLATE: NICKEL OVERALL (1.0 MICROMETER MINIMUM) |
| ⑧      | ディテクトスイッチ DETECT SWITCH | 焼青銅 PHOSPHOR BRONZE  | 接触部: 金めっき(0.2μmMIN.)<br>基板実装部: 金めっき<br>下地: ニッケルめっき(1.0μmMIN.)<br>CONTACT AREA: GOLD PLATING (0.2 MICROMETER MINIMUM)<br>SOLDER TAIL AREA: GOLD PLATING<br>UNDERPLATE: NICKEL OVERALL (1.0 MICROMETER MINIMUM) |

NOTES

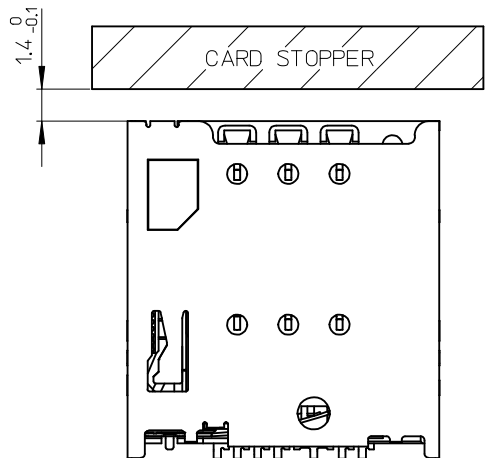
- ターミナル及びびネイルの平坦度は 0.08 MAX. (測定用定板面を基準)  
TERMINAL AND NAIL COPLANARITY TO BE 0.08 MAX.(FROM GAUGE PLANE)
  - △ スタンドオフ寸法  
STAND OFF DIMENSION  
本寸法はコネクタ全高に含まれます。  
STAND OFF DIMENSION IS INCLUDED IN THE CONNECTOR TOTAL HEIGHT.
  - パターン禁止エリア PATTERN PROHIBITION AREA
  - カード検知スイッチ DETECT SWITCH
- |                                |            |
|--------------------------------|------------|
| カード挿入時 CARD INSERTING POSITION | オープン OPEN  |
| カード未挿入時 NO CARD                | クローズ CLOSE |
- 肉抜き位置は任意とする。CAVITY IS TO BE OPTIONAL.
  - ロット印字は任意とする。LOT NUMBERING IS TO BE OPTIONAL.
  - ELV及びRoHS 適合品 ELV AND RoHS COMPLIANT.
  - 括弧寸法は、参考値となります。(Dimension) : REFERENCE VALUE

CONFIDENTIAL

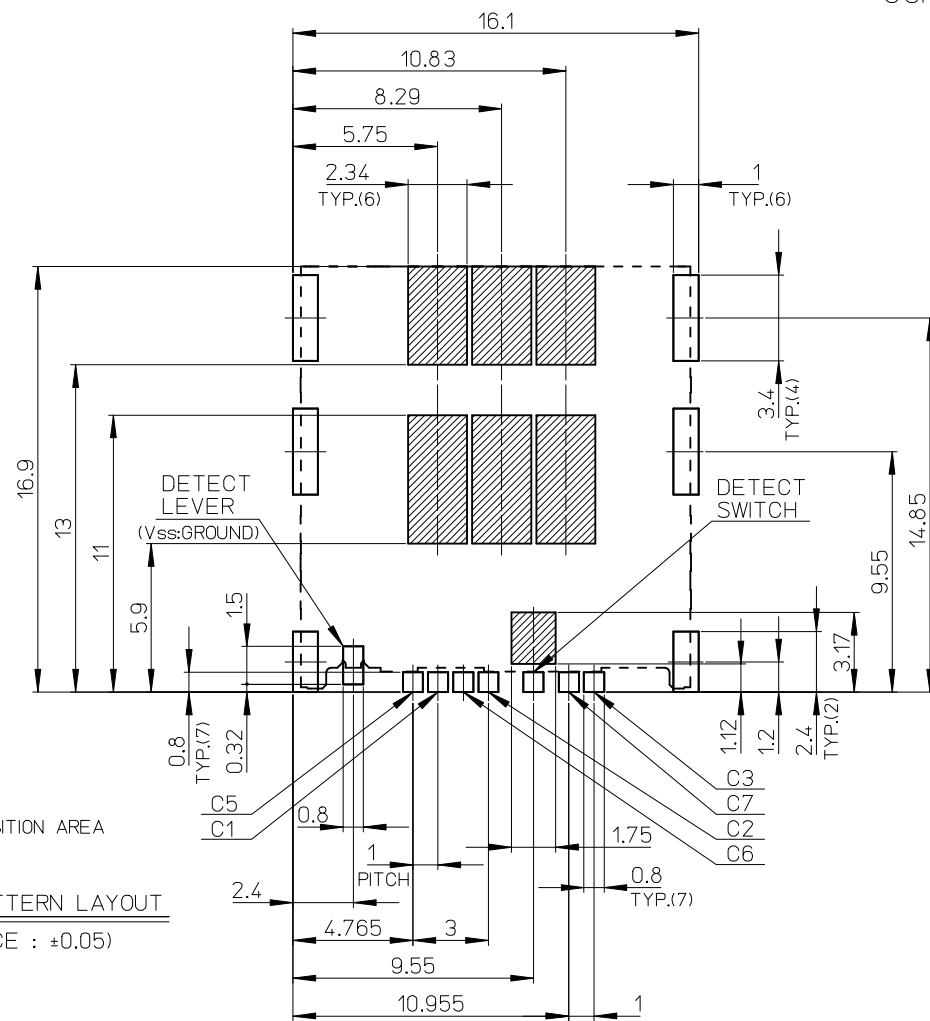
|                  |          |
|------------------|----------|
| 503960-0694      | 6        |
| EMBOSSD PACKAGE  | 極数       |
| オーダー番号 ORDER NO. | CIRCUITS |

CONNECTOR SERIES No. 503960-\*\*\*\*

| REV | DESCRIPTION  | GENERAL TOLERANCES (UNLESS SPECIFIED)                      |        | DIMENSION STYLE |      | SCALE  | DESIGN UNITS | THIRD ANGLE PROJECTION                                 |  |  |  |
|-----|--|--|--------|-----------------|------|--------|--------------|--|--|--|--|
|     |  | 10 UNDER   | ± 0.2  | MM ONLY         | 1:1  | METRIC | TITLE        |  |  |  |  |
| A   | RELEASED<br>EC NO: J2013-0351<br>DRWN: MTAKASAKI<br>CHKD: MTOMITA<br>APPR: YOITO | 10 OVER  | ± 0.25 | DRAWN BY        | DATE |        |              | MICRO SIM CARD CONN.<br>PUSH/PUSH NORMAL TYPE<br>ASS'Y |  |  |  |
|     |  | 30 OVER  | ± 0.3  | CHECKED BY      | DATE |        |              | molex  |  |  |  |
|     |  | ANGULAR ±1 °   |        | APPROVED BY     | DATE |        |              |  |  |  |  |
|     |  | DRAFT WHERE APPLICABLE<br>MUST REMAIN<br>WITHIN DIMENSIONS |        | MATERIAL NO.    | DATE |        |              | SD-503960-005  |  |  |  |
|     |  |  |        | SIZE            |      |        |              | SHEET NO.<br>1 OF 2                                    |  |  |  |
|     |  |  |        | SEE CHART       |      |        |              |  |  | THIS DRAWING CONTAINS INFORMATION THAT IS PROPRIETARY TO MOLEX<br>INCORPORATED AND SHOULD NOT BE USED WITHOUT WRITTEN PERMISSION |  |



RECOMMENDED CARD STOPPER POSITION



パターン禁止エリア  
PATTERN PROHIBITION AREA

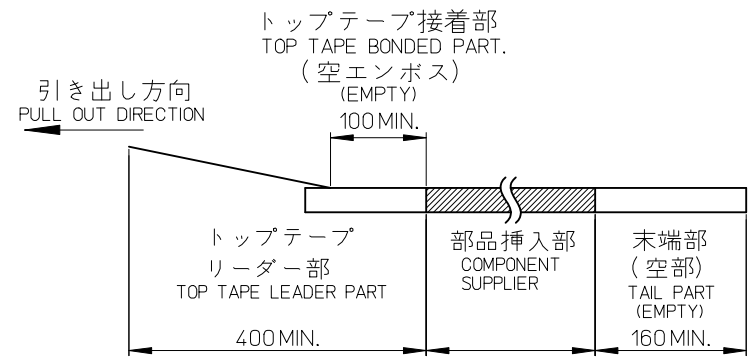
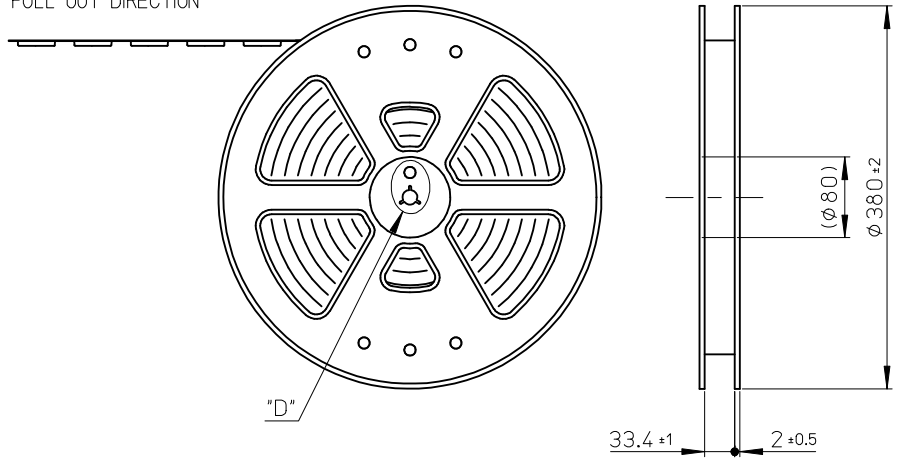
RECOMMENDED PCB PATTERN LAYOUT  
(GENERAL TOLERANCE : ±0.05)

|   |                                       |            |                            |   |  |                        |                        |
|---|---------------------------------------|------------|----------------------------|---|--|------------------------|------------------------|
| SEE SHEET 1 OF 2<br>EC NO: J2013-0351<br>DRWN: MTAKASAKI 2012/09/10<br>CHKD: MTOMITA 2012/09/10<br>APPR: YOITO 2012/09/20 | GENERAL TOLERANCES (UNLESS SPECIFIED) |            | DIMENSION STYLE<br>MM ONLY |   | SCALE<br>1:1   | DESIGN UNITS<br>METRIC | THIRD ANGLE PROJECTION |
|   | 10 UNDER                              | ±0.2       | DRAWN BY<br>MTAKASAKI      | DATE<br>2012/09/10  | TITLE<br>MICRO SIM CARD CONN.<br>PUSH/PUSH NORMAL TYPE<br>ASS'Y                          |                        |                        |
|   | 10 OVER 30 UNDER                      | ±0.25      | CHECKED BY<br>MTOMITA      | DATE<br>2012/09/10  |  |                        |                        |
|   | 30 OVER                               | ±0.3       | APPROVED BY<br>YOITO       | DATE<br>2012/09/20  | molex<br>MATERIAL NO. SEE SHEET 1 OF 2<br>DOCUMENT NO. SD-503960-005<br>SHEET NO. 2 OF 2 |                        |                        |
| ANGULAR ±1 °  |                                       | SIZE<br>A3 |                            | THIS DRAWING CONTAINS INFORMATION THAT IS PROPRIETARY TO MOLEX INCORPORATED AND SHOULD NOT BE USED WITHOUT WRITTEN PERMISSION |  |                        |                        |
| DRAFT WHERE APPLICABLE MUST REMAIN WITHIN DIMENSIONS  |                                       |            |                            |   |  |                        |                        |

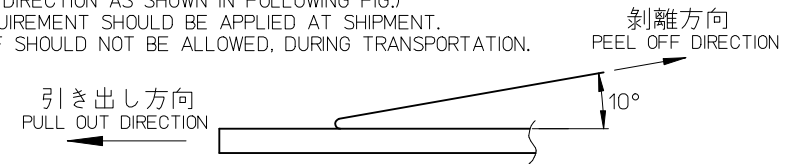
NOTES

- 製品詳細寸法については、SD 図面を参照下さい。  
RE DETAILED DIMENSION, SEE SALES DRAWING.
- 梱包数量：1600 個／リール  
NUMBER OF CONNECTORS：1600 PCS/REEL.
- リードテープ長さ LEAD TAPE LENGTH.

引き出し方向  
PULL OUT DIRECTION

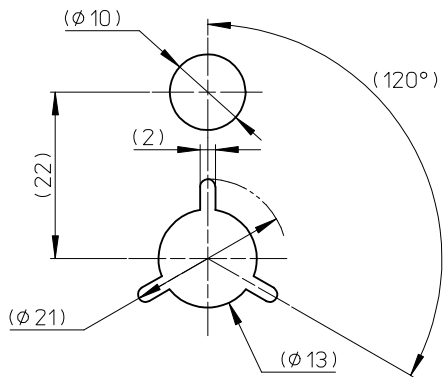


- トップテープの剥離強度：JIS C0806-3に準拠(剥離方向は下図参照)尚、本規格値は出荷時に適用。(但し、輸送時に剥離が発生しないこと。)  
PEELING OFF FORCE OF TOP TAPE：BASED UPON JIS C0806-3 (PEELING DIRECTION AS SHOWN IN FOLLOWING FIG.) THIS REQUIREMENT SHOULD BE APPLIED AT SHIPMENT. PEEL OFF SHOULD NOT BE ALLOWED, DURING TRANSPORTATION.



5. 材料 MATERIAL

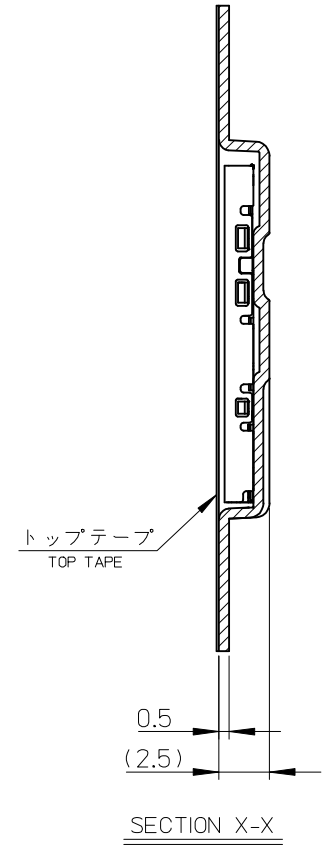
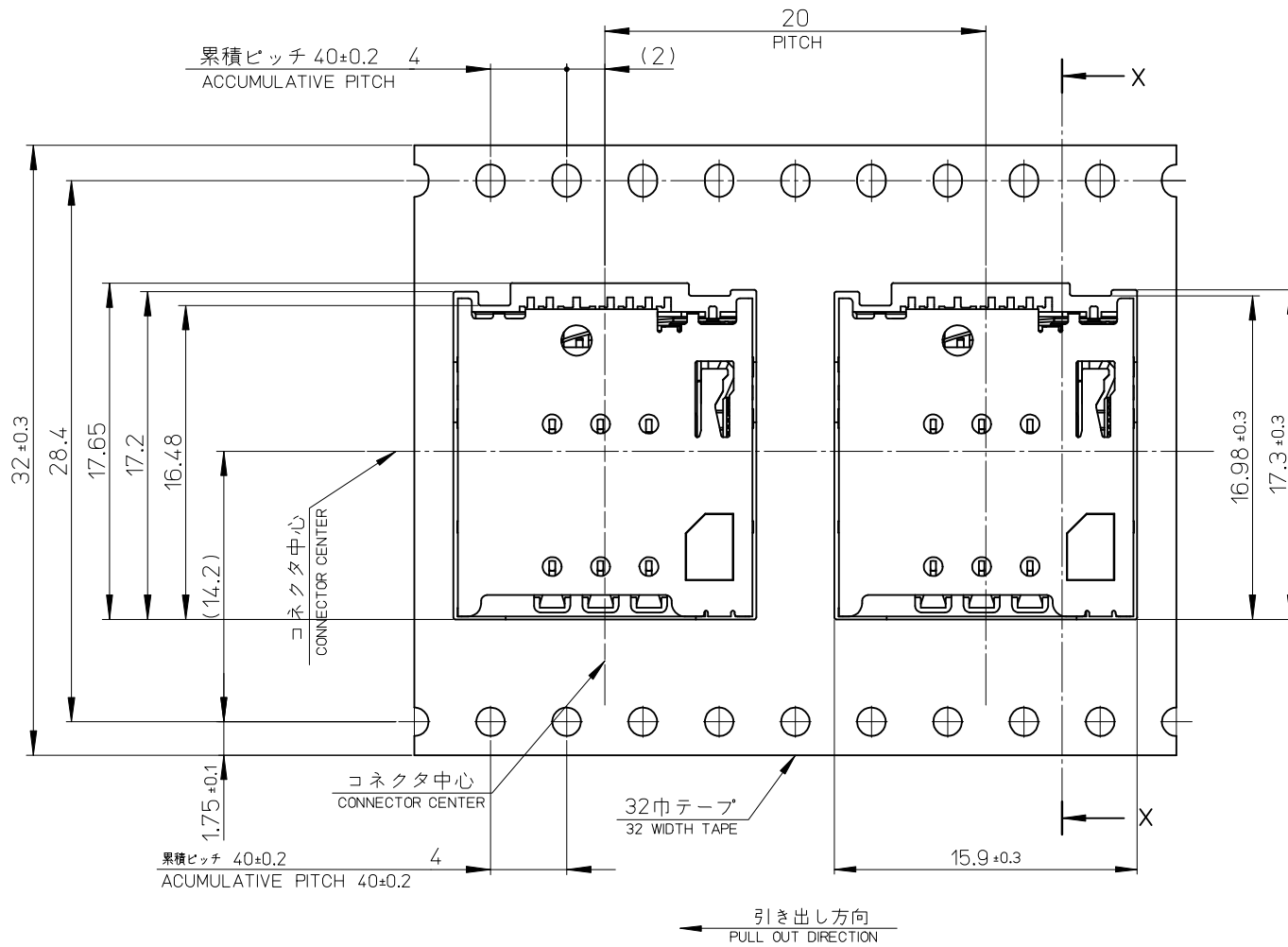
キャリアテープ (CARRIER TAPE)：ポリスチレン (POLYSTYRENE)  
 トップテープ (TOP TAPE)：PET, PE, PEF  
 リール (REEL)：ポリスチレン (PS) <リサイクル材含む>  
 POLYSTYRENE (PS) <RECYCLE MATERIAL CONTAINED>



DETAIL "D"

|                                  |          |
|----------------------------------|----------|
| 503960-0694                      | 6        |
| EMBOSSED PACKAGE                 | 極数       |
| オーダー番号 ORDER NO.                 | CIRCUITS |
| CONNECTOR SERIES No. 503960-**** |          |

|  |                                       |  |                            |   |   |                        |                        |
|--|---------------------------------------|--|----------------------------|---|---|------------------------|------------------------|
| RELEASED<br>EC NO.: J2013-0351<br>DRWN: MTAKASAKI 2012/09/10<br>CHKD: MTOMITA 2012/09/10<br>APPR: YOITO 2012/09/20<br>REV: A | GENERAL TOLERANCES (UNLESS SPECIFIED) |  | DIMENSION STYLE<br>MM ONLY |   | SCALE<br>1:1  | DESIGN UNITS<br>METRIC | THIRD ANGLE PROJECTION |
|  | 10 UNDER                              | ±0.2   | DRAWN BY<br>MTAKASAKI      | DATE<br>2012/09/10  | TITLE<br>MICRO SIM CARD CONN.<br>PUSH/PUSH NORMAL TYPE<br>EMBOSSED TAPE PACKAGE |                        |                        |
|  | 10 OVER 30 UNDER                      | ±0.25  | CHECKED BY<br>MTOMITA      | DATE<br>2012/09/10  | MATERIAL NO.<br>SEE CHART   |                        |                        |
|  | 30 OVER                               | ±0.3   | APPROVED BY<br>YOITO       | DATE<br>2012/09/20  | DOCUMENT NO.<br>SD-503960-006   | SHEET NO.<br>1 OF 2    |                        |
| ANGULAR ±1 °   |                                       | DRAFT WHERE APPLICABLE MUST REMAIN WITHIN DIMENSIONS |                            | THIS DRAWING CONTAINS INFORMATION THAT IS PROPRIETARY TO MOLEX INCORPORATED AND SHOULD NOT BE USED WITHOUT WRITTEN PERMISSION |   |                        |                        |



|   |                                       |              |   |                    |  |                        |
|---|---------------------------------------|--------------|---|--------------------|--|------------------------|
| SEE SHEET 1 OF 2<br>EC NO: J2013-0351<br>DRWN: MTAKASAKI 2012/09/10<br>CHKD: MTOMITA 2012/09/10<br>APPR: YOITO 2012/09/20 | GENERAL TOLERANCES (UNLESS SPECIFIED) |              | DIMENSION STYLE<br>MM ONLY  | SCALE<br>1:1       | DESIGN UNITS<br>METRIC   | THIRD ANGLE PROJECTION |
|   | 10 UNDER                              | ± 0.2        | DRAWN BY<br>MTAKASAKI   | DATE<br>2012/09/10 | MICRO SIM CARD CONN.<br>PUSH/PUSH NORMAL TYPE<br>EMBOSSED TAPE PACKAGE<br><b>molex</b><br>DOCUMENT NO. SD-503960-006<br>SHEET NO. 2 OF 2 |                        |
|   | 10 OVER 30 UNDER                      | ± 0.25       | CHECKED BY<br>MTOMITA   | DATE<br>2012/09/10 |  |                        |
|   | 30 OVER                               | ± 0.3        | APPROVED BY<br>YOITO  | DATE<br>2012/09/20 |  |                        |
| ANGULAR ± 1 °   |                                       | MATERIAL NO. | SEE SHEET 1 OF 2  |                    |  |                        |
| DRAFT WHERE APPLICABLE MUST REMAIN WITHIN DIMENSIONS  |                                       | SIZE<br>A3   | THIS DRAWING CONTAINS INFORMATION THAT IS PROPRIETARY TO MOLEX INCORPORATED AND SHOULD NOT BE USED WITHOUT WRITTEN PERMISSION |                    |  |                        |