

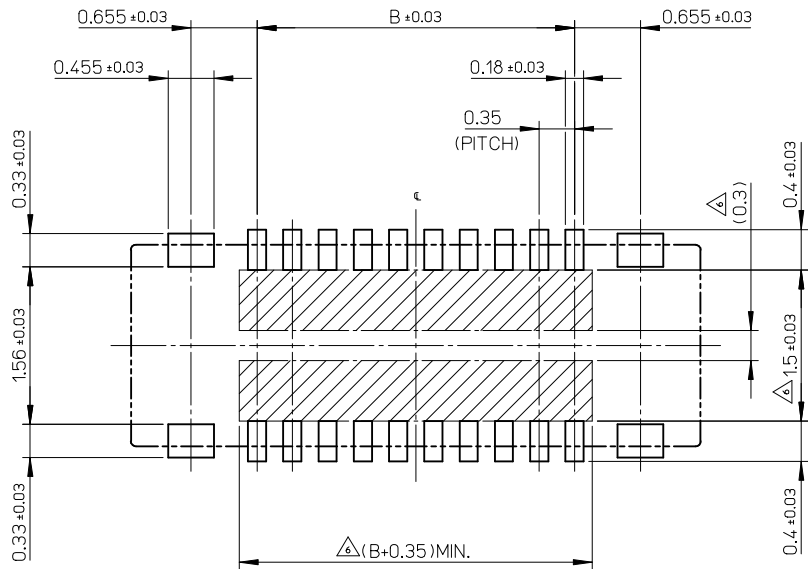
- NOTES
- MATERIAL
HOUSING : LIQUID CRYSTAL POLYMER UL94V-0(COLOR : BLACK)
TERMINAL : COPPER ALLOY
FITTING NAIL : COPPER ALLOY
 - PLATING
TERMINAL
GOLD
UNDER PLATING : NICKEL
*DIVIDE INTO PARTS THE GOLD PLATING OF THE CONTACT AND THE TAIL PART BY THE NICKEL PLATING.
FITTING NAIL
GOLD
UNDER PLATING : NICKEL
 - APPLY FOR (CIRCUIT/2)=EVEN.
 - MATE WITH : 504622-**10
 - TAIL AND FITTING NAIL COPLANARITY TO BE 0.08MAXIMUM.
 - PROHIBITED AREA OF PATTERN WIRING AND SOLDER.
(FOR EACH AREA, THE WIRING THAT TOUCHES ON THE SOLDER CAN BE ATTACHED, THEN COVERED WITH A FILM TO KEEP SOLDER OUT.)
 - ELV and RoHS COMPLIANT.
 - ELECTRIC SPEC OF FITTING NAIL IS NOT GUARANTEED WHEN MATED.

11.90	14.40	504618-7010	o	---	70
10.85	13.35	504618-6410	o	---	64
10.15	12.65	504618-6010	---	---	60
9.8	12.30	504618-5810	---	---	58
9.10	11.60	504618-5410	---	---	54
8.40	10.90	504618-5010	o	---	50
8.05	10.55	504618-4810	---	---	48
7.00	9.50	504618-4210	---	---	42
6.65	9.15	504618-4010	o	---	40
6.30	8.80	504618-3810	---	---	38
5.60	8.10	504618-3410	o	---	34
4.90	7.40	504618-3010	o	---	30
3.85	6.35	504618-2410	o	---	24
3.15	5.65	504618-2010	o	---	20
2.80	5.30	504618-1810	---	---	18
2.45	4.95	504618-1610	---	---	16
1.75	4.25	504618-1210	---	---	12
1.40	3.90	504618-1010	o	---	10
0.70	3.20	504618-0610	---	---	6
B	A	EMBOSSED TAPE PACKAGE	HIGH VOL. TOOL	LOW VOL. TOOL	CIRCUIT
		ORDER NO.	SAMPLE PREPARATION o : TOOLED Δ : WORK IN PROCESS --- : TOOLING TO BE CONFIRMED		

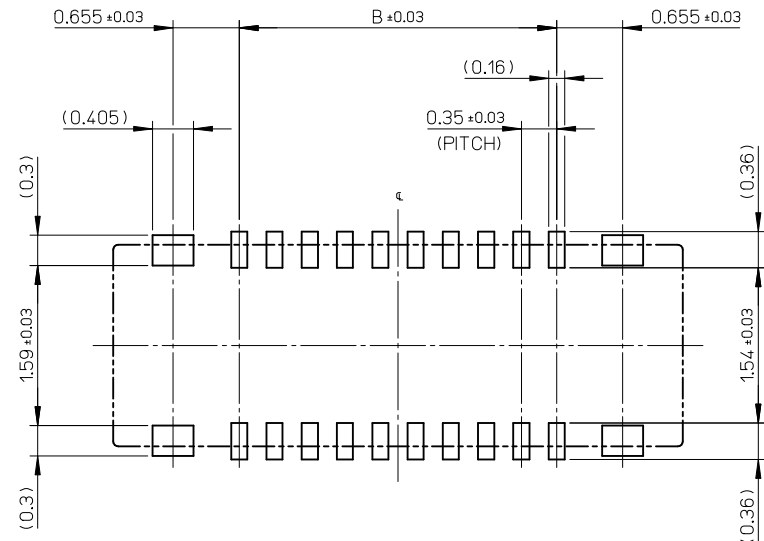
CONNECTOR SERIES No. : 504618-**09

DIMENSION STYLE MM ONLY	SCALE 20:1	DESIGN UNITS METRIC	THIRD ANGLE PROJECTION
DRAWN BY HON001	DATE 2014/02/24	TITLE 0.35 BB CONN. H=0.6 SSB6 REC. ASSY	
CHECKED BY RTAKEUCHI	DATE 2014/02/24	molex	
APPROVED BY KMORIKAWA	DATE 2014/04/17		
MATERIAL NO.	SEE CHART	DOCUMENT NO. SD-504618-001	SHEET NO. 1 OF 2
THIS DRAWING CONTAINS INFORMATION THAT IS PROPRIETARY TO MOLEX INCORPORATED AND SHOULD NOT BE USED WITHOUT WRITTEN PERMISSION			

REVISED EC NO: J2015-0816 DRWN:MYOSHIDA 2014/12/16 CHKD:RTAKEUCHI 2014/12/16 APPR:KMORIKAWA 2014/12/17	GENERAL TOLERANCES (UNLESS SPECIFIED)	
	10 UNDER	± 0.2
	10 OVER 30 UNDER	± 0.25
	30 OVER	± 0.3
ANGULAR	± 1 °	
DRAFT WHERE APPLICABLE MUST REMAIN WITHIN DIMENSIONS		

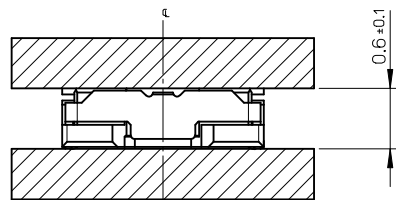


RECOMMENDED P.W.BOARD PATTERN LAYOUT(REFERENCE)



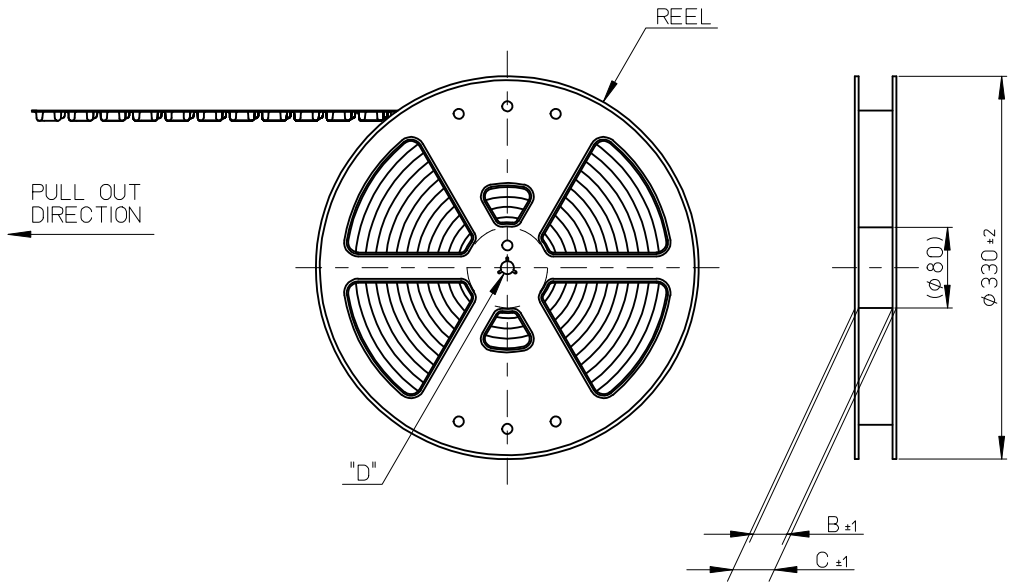
RECOMMENDED METAL MASK LAYOUT(REFERENCE)

RECOMMENDED THICKNESS OF METAL MASK : t=0.08mm
 RECOMMENDED OPEN APERTURE RATIO OF METAL MASK : 80%



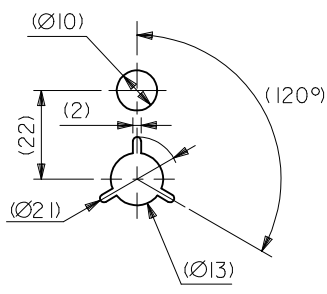
MATED CONDITION

REVISED EC NO: J2015-0816 DRWN:MYOSHIDA 2014/12/16 CHKD:RTAKEUCHI 2014/12/16 APPR:KMORIKAWA 2014/12/17	GENERAL TOLERANCES (UNLESS SPECIFIED)		DIMENSION STYLE MM ONLY	SCALE 20:1	DESIGN UNITS METRIC	THIRD ANGLE PROJECTION
	10 UNDER	±0.2	DRAWN BY HON001	DATE 2014/02/24	TITLE 0.35 BB CONN. H=0.6 SSB6 REC. ASSY	
	10 OVER 30 UNDER	±0.25	CHECKED BY RTAKEUCHI	DATE 2014/02/24		
	30 OVER	±0.3	APPROVED BY KMORIKAWA	DATE 2014/04/17		
ANGULAR	±1 °	MATERIAL NO. SEE SHEET 1	DOCUMENT NO. SD-504618-001	SHEET NO. 2 OF 2		
DRAFT WHERE APPLICABLE MUST REMAIN WITHIN DIMENSIONS		SIZE A3	THIS DRAWING CONTAINS INFORMATION THAT IS PROPRIETARY TO MOLEX INCORPORATED AND SHOULD NOT BE USED WITHOUT WRITTEN PERMISSION			



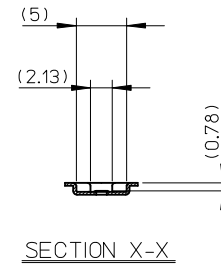
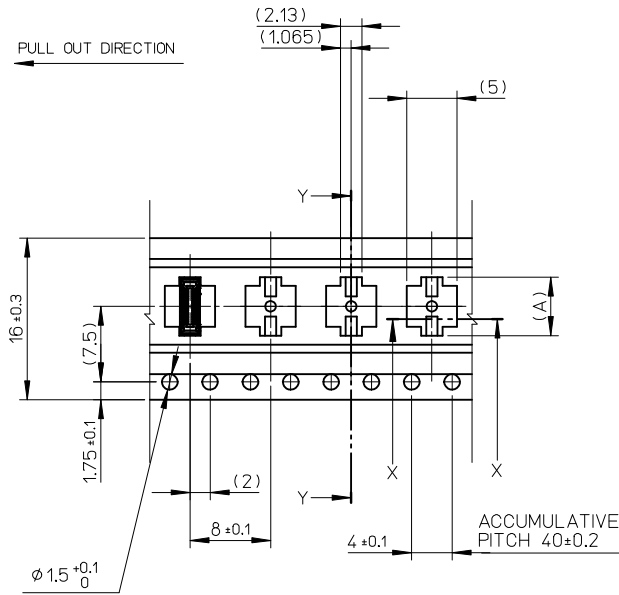
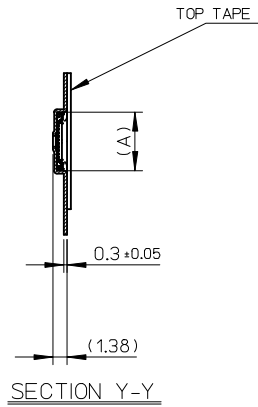
NOTES

- RE DETAILED DIMENSION, SEE PRODUCT DRAWING.
- NUMBER OF CONNECTORS : 3000PCS/REEL
- LEAD TAPE LENGTH
- TOP TAPE PEEL FORCE IS DEFINED BY IEC60286-3.
- MATERIAL
 CARRIER TAPE : POLYSTYRENE
 TOP TAPE : PET , OTHER
 REEL : POLYSTYRENE (PS) <RECYCLE MATERIAL CONTAINED>
- ELV AND RoHS COMPLIANT



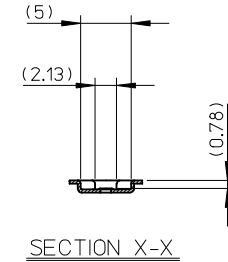
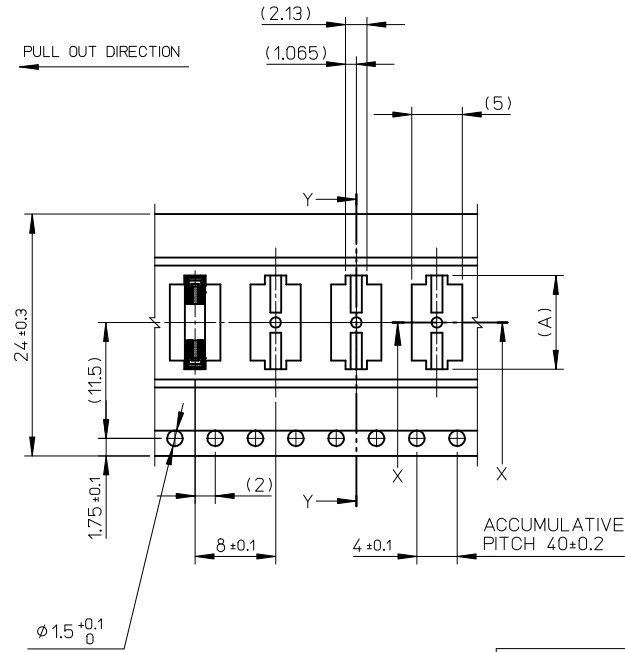
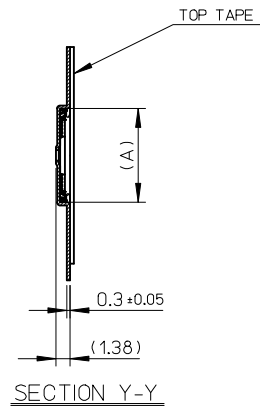
DETAIL "D"

REVISED EC NO: J2015-0816 DRWN:MYOSHIDA 2014/12/16 CHKD:RTAKEUCHI 2014/12/16 APPR:KMORIKAWA 2014/12/17	DESCRIPTION REV	GENERAL TOLERANCES (UNLESS SPECIFIED)		DIMENSION STYLE MM ONLY		SCALE 1:5	MODEL NO. 504618-**-10	DESIGN UNITS METRIC	THIRD ANGLE PROJECTION	
		10 UNDER	± 0.2	DRAWN BY HON001	DATE 2014/02/24	TITLE 0.35 BB CONN. H=0.6 SSB6 REC. ASSY EMBSTP PKG				
		10 OVER 30 UNDER	± 0.25	CHECKED BY RTAKEUCHI	DATE 2014/02/24					
		30 OVER	± 0.3	APPROVED BY KMORIKAWA	DATE 2014/04/17					
ANGULAR ± 1 °		DRAFT WHERE APPLICABLE MUST REMAIN WITHIN DIMENSIONS		MATERIAL NO. SEE CHART		DOCUMENT NO. SD-504618-002	SHEET NO. 1 OF 3			
THIS DRAWING CONTAINS INFORMATION THAT IS PROPRIETARY TO MOLEX INCORPORATED AND SHOULD NOT BE USED WITHOUT WRITTEN PERMISSION										



16	21.4	17.4	7.54	504618-3010	o	---	30		
			6.49	504618-2410	o	---	24		
			5.79	504618-2010	o	---	20		
			5.44	504618-1810	---	---	18		
			5.09	504618-1610	---	---	16		
			4.39	504618-1210	---	---	12		
			4.04	504618-1010	o	---	10		
3.34	504618-0610	---	---	6					
キャリアテープ幅 CARRIER TAPE WIDTH			C	B	(A)	EMBOSSED TAPE PACKAGE	HIGH VOL. TOOL	LOW VOL. TOOL	CIRCUIT
			ORDER NO.		SAMPLE PREPARATION o : TOOLED Δ : WORK IN PROCESS --- : TOOLING TO BE CONFIRMED				

REVISED EC NO: J2015-0816 DRWN: MYOSHIDA 2014/12/16 CHKD: RTAKEUCHI 2014/12/16 APPR: KMORIKAWA 2014/12/17	DESCRIPTION REV	GENERAL TOLERANCES (UNLESS SPECIFIED)		DIMENSION STYLE MM ONLY		SCALE 2:1	DESIGN UNITS METRIC	THIRD ANGLE PROJECTION	
		10 UNDER	± 0.2	DRAWN BY HON001	DATE 2014/02/24	TITLE 0.35 BB CONN. H=0.6 SSB6 REC. ASSY EMBSTP PKG			
		10 OVER 30 UNDER	± 0.25	CHECKED BY RTAKEUCHI	DATE 2014/02/24				
		30 OVER	± 0.3	APPROVED BY KMORIKAWA	DATE 2014/04/17				
ANGULAR ± 1 °		DRAFT WHERE APPLICABLE MUST REMAIN WITHIN DIMENSIONS		MATERIAL NO. SEE CHART		DOCUMENT NO. SD-504618-002	SHEET NO. 2 OF 3		



24	29.4	25.4	14.54	504618-7010	o	---	70		
			13.49	504618-6410	o	---	64		
			12.79	504618-6010	---	---	60		
			12.44	504618-5810	---	---	58		
			11.74	504618-5410	---	---	54		
			11.04	504618-5010	o	---	50		
			10.69	504618-4810	---	---	48		
			9.46	504618-4210	---	---	42		
			9.29	504618-4010	o	---	40		
			8.94	504618-3810	---	---	38		
8.24	504618-3410	o	---	34					
キャリアテープ幅 CARRIER TAPE WIDTH			C	B	(A)	EMBOSSED TAPE PACKAGE	HIGH VOL. TOOL	LOW VOL. TOOL	CIRCUIT
			ORDER NO.	SAMPLE PREPARATION o : TOOLED Δ : WORK IN PROCESS --- : TOOLING TO BE CONFIRMED					

REVISED EC NO: J2015-0816 DRWN: MYOSHIDA 2014/12/16 CHKD: RTAKEUCHI 2014/12/16 APPR: KMORIKAWA 2014/12/17	DESCRIPTION GENERAL TOLERANCES (UNLESS SPECIFIED) DIMENSION STYLE MM ONLY SCALE 2:1 DESIGN UNITS METRIC THIRD ANGLE PROJECTION	10 UNDER	± 0.2	DRAWN BY	DATE	TITLE
		10 OVER 30 UNDER	± 0.25	HON001	2014/02/24	0.35 BB CONN. H=0.6 SSB6 REC. ASSY EMBSTP PKG
		30 OVER	± 0.3	CHECKED BY	DATE	
		ANGULAR	± 1 °	RTAKEUCHI	2014/02/24	molex DOCUMENT NO. SD-504618-002 SHEET NO. 3 OF 3
		DRAFT WHERE APPLICABLE MUST REMAIN WITHIN DIMENSIONS		APPROVED BY	DATE	
G	REV	SEE CHART		MATERIAL NO. THIS DRAWING CONTAINS INFORMATION THAT IS PROPRIETARY TO MOLEX INCORPORATED AND SHOULD NOT BE USED WITHOUT WRITTEN PERMISSION		