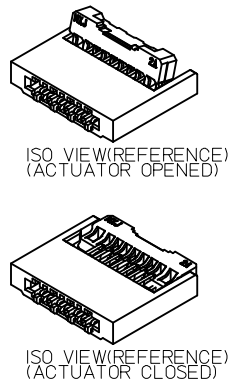
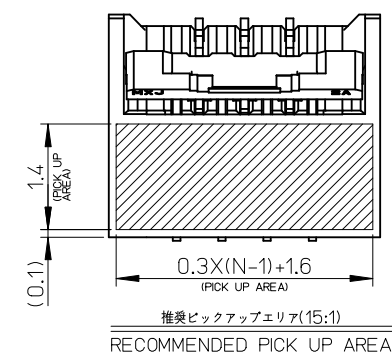
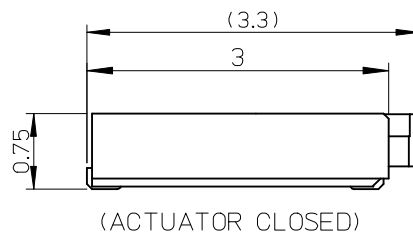
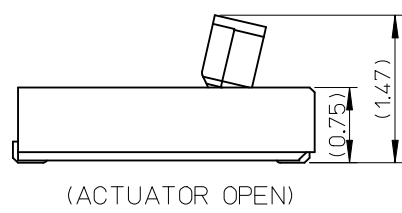
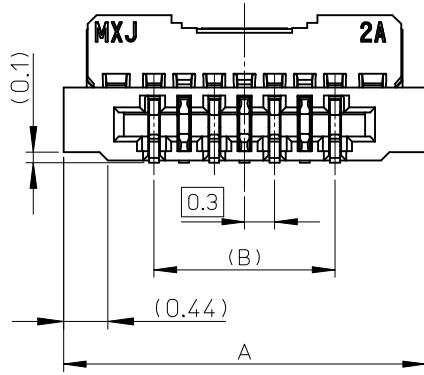


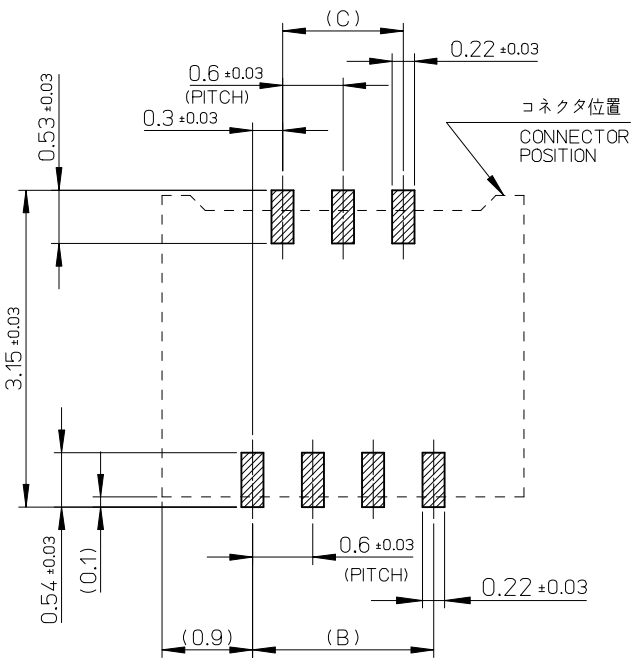
注記 NOTES:  
 1.材質 MATERIAL  
 ハウジング: 液晶ポリマー(LCP)、黒色、ガラス充填、UL94\_V-0  
 HOUSING: LIQUID CRYSTAL POLYMER, BLACK, GLASS FILLED, UL94\_V-0  
 アクチュエータ: ポリアミド樹脂(PA)、灰色、ガラス充填、UL94-HB  
 ACTUATOR: POLYAMIDE, GRAY, GLASS FILLED, UL94\_HB  
 奇数ターミナル: 銅合金 (t=0.10)  
 ODD TERMINAL: COPPER ALLOY(t=0.10)  
 偶数ターミナル: 銅合金 (t=0.10)  
 EVEN TERMINAL: COPPER ALLOY(t=0.10)  
 2.めっき仕様 PLATING  
 奇数/偶数ターミナル ODD/EVEN TERMINAL  
 接点部: 部分金めっき(0.1μm以上)  
 CONTACT AREA: SEPARATED GOLD PLATING (0.1 MICROMETER MINIMUM)  
 半田付け部: 部分金めっき  
 SOLDER TAIL AREA: SEPARATED GOLD PLATING  
 下地: ニッケルめっき(1.0μm以上)  
 UNDERPLATE: NICKEL PLATING(1.0 MICROMETER MINIMUM)  
 3.平坦度は、0.1ミリ以下とする。  
 TAILS' COPLANARITY TO BE 0.1 MAXIMUM.  
 4.ELV及びRoHS適合品  
 ELV AND RoHS COMPLIANT



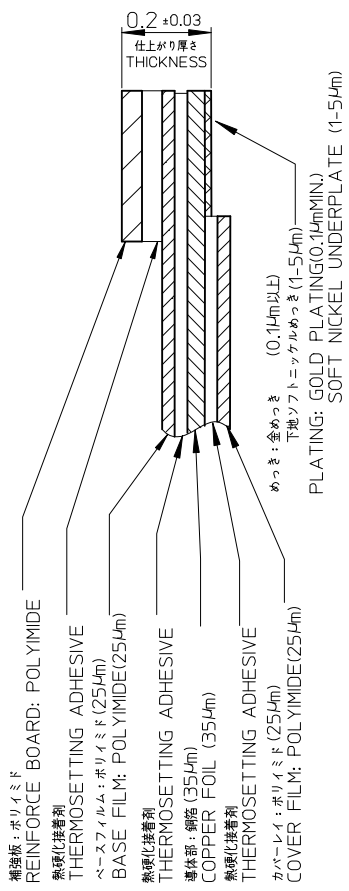
18.6	17.4	18	19.8	504754-6120	61
15.6	14.4	15	16.8	504754-5120	51
12.6	11.4	12	13.8	504754-4120	41
12.0	10.8	11.4	13.2	504754-3920	39
11.4	10.2	10.8	12.6	504754-3720	37
10.8	9.6	10.2	12.0	504754-3520	35
10.2	9	9.6	11.4	504754-3320	33
9.6	8.4	9	10.8	504754-3120	31
7.8	6.6	7.2	9	504754-2520	25
6.6	5.4	6	7.8	504754-2120	21
4.8	3.6	4.2	6	504754-1520	15
3.6	2.4	3	4.8	504754-1120	11
3	1.8	2.4	4.2	504754-0920	9
2.4	1.2	1.8	3.6	504754-0720	7
D	C	B	A	EMBOSSED PACKAGE	CIRCUITS
				オーダー番号:ORDER NO.	

CONNECTOR SERIES : 504754-\*\*29

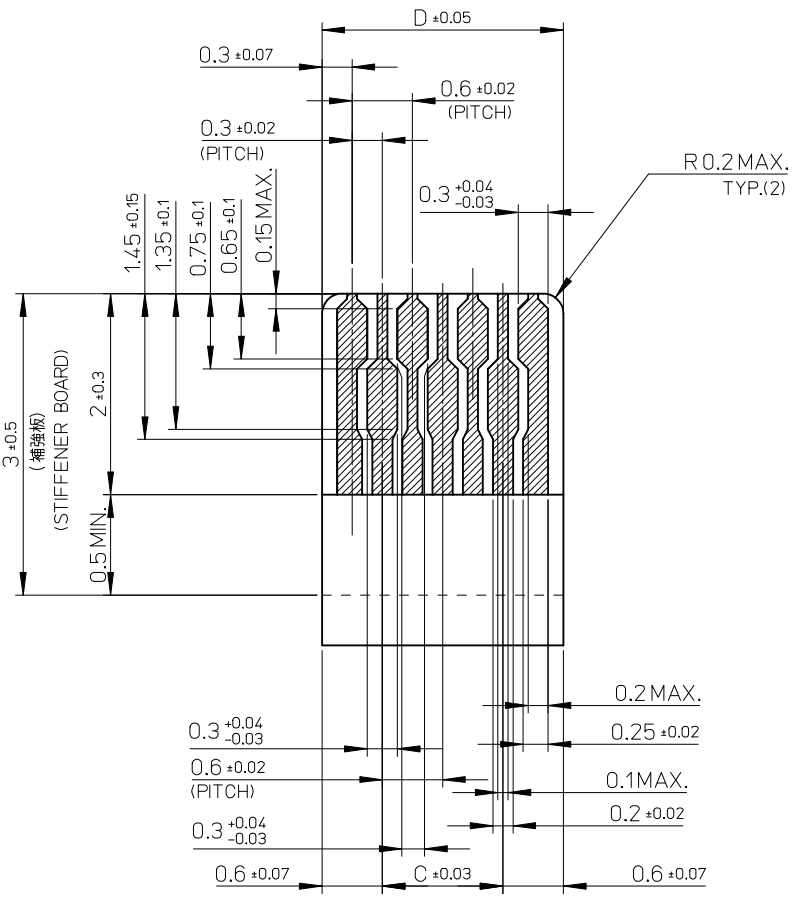
REVISED EC NO: J2016-0484 T1 DRW:AYOSHI 2015/11/10 CHKD:YKOBAYASHI 022015/11/10 APPR:YNOGAWA 2015/11/12	GENERAL TOLERANCES (UNLESS SPECIFIED)		DIMENSION STYLE		SCALE		DESIGN UNITS		THIRD ANGLE PROJECTION	
	0.25 UNDER ±0.03		MM ONLY		20:1		METRIC		⊙	
	0.25 OVER 0.5 UNDER ±0.05		DRAWN BY DATE		TITLE					
	0.5 OVER 1.0 UNDER ±0.1		AYOSHI I01 2014/01/17		0.3 FPC CONN. BACK FLIP					
	1.0 OVER 10 UNDER ±0.2		CHECKED BY DATE		LA75 SERIES					
10 OVER 30 UNDER ±0.25		YKOBAYASHI 02 2014/01/17		HOUSING ASSY						
30 OVER ±0.3		APPROVED BY DATE		moLEX						
ANGULAR ±1 °		YNOGAWA 2014/10/31		SEE CHART		DOCUMENT NO.		SHEET NO.		
DRAFT WHERE APPLICABLE MUST REMAIN WITHIN DIMENSIONS		MATERIAL NO.		SD-504754-003				1 OF 2		
		SIZE		THIS DRAWING CONTAINS INFORMATION THAT IS PROPRIETARY TO MOLEX INCORPORATED AND SHOULD NOT BE USED WITHOUT WRITTEN PERMISSION						



推奨基板レイアウト  
 RECOMMENDED P.C.BOARD  
 PATTERN LAYOUT  
 推奨メタルマスク厚さ: 0.1mm  
 RECOMMENDED METAL MASK THICKNESS : 0.1mm  
 推奨開口率 : 70%  
 APERTURE RATE : 70%



FPC構成推奨仕様  
 STRUCTURE OF FPC

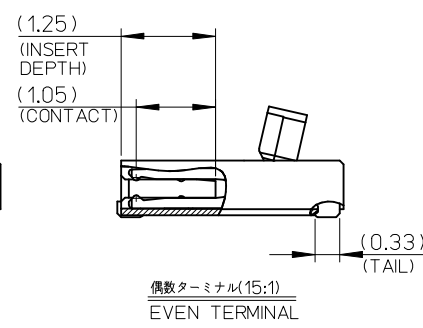
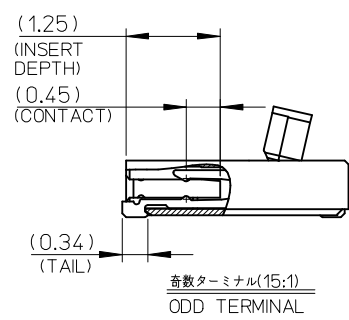
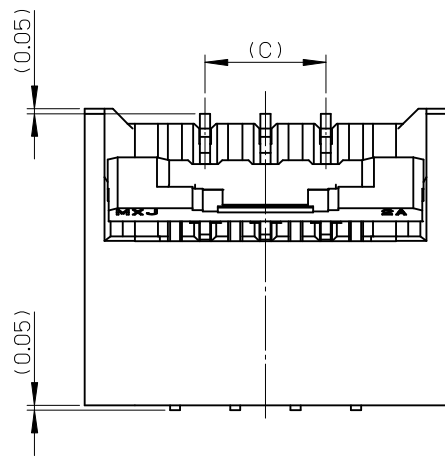


適合金メッキFPC推奨寸法  
 仕上がり厚さ : 0.2±0.03  
 APPLICABLE FPC WITH GOLD PLATING  
 RECOMMENDED DIMENSION  
 THICKNESS :0.2±0.03

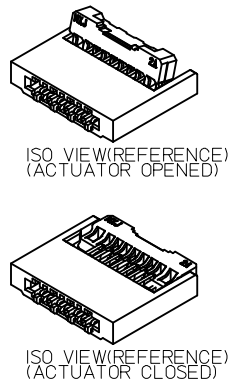
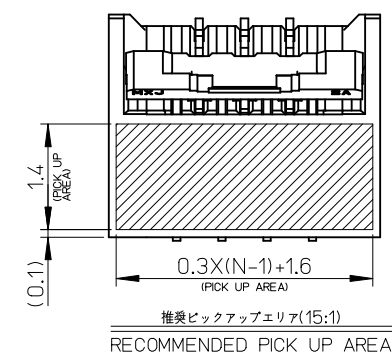
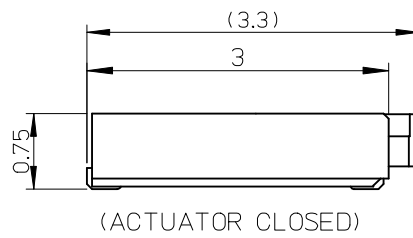
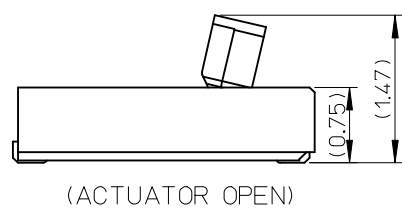
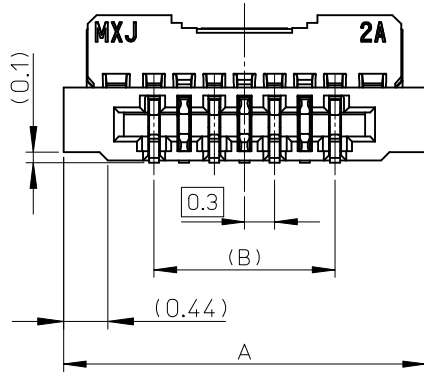
注記  
 NOTE  
 1. 必ず基板に実装してからアクチュエータを操作して下さい。  
 PLEASE OPERATE THE ACTUATOR AFTER MOUNTING ON THE SUBSTRATE.

2. FPCについて  
 ABOUT FPC  
 補強フィルム材質はポリイミドを推奨します。ベースフィルムは25μmを推奨します。  
 接着剤は熱硬化接着剤を推奨します。  
 RECOMMENDED STIFFENER MATERIAL: POLYIMIDE  
 RECOMMENDED BASE FILM THICKNESS: 25 MICROMETER  
 RECOMMENDED ADHESIVE: THERMOSETTING ADHESIVE  
 NOTE: PLEASE PUT APPROPRIATE AMOUNT OF ADHESIVE ON ADHEREND BECAUSE THERE IS A POSSIBILITY THAT THE EXTRA ADHESIVE CAUSES THE DEFECT IN ELECTRICAL CONTINUITY.  
 打抜き方向は導体側から補強板側を推奨致します。  
 RECOMMENDED PUNCHER DIRECTION:  
 FROM CONDUCTOR SIDE TO STIFFENER FILM SIDE.

SEE SHEET 1 OF 2 EC NO: J2016-0484 DRAWN: AYOSHI I 01 2015/11/10 CHKD: YKOBAYASHI 02 2015/11/10 APPR: YNOGAWA 2015/11/12	GENERAL TOLERANCES (UNLESS SPECIFIED)		DIMENSION STYLE MM ONLY		SCALE 20:1	DESIGN UNITS METRIC	THIRD ANGLE PROJECTION
	0.25 UNDER	±0.03	DRAWN BY AYOSHI I 01	DATE 2014/01/17	TITLE 0.3 FPC CONN. BACK FLIP LA75 SERIES HOUSING ASSY <b>molex</b> DOCUMENT NO. SD-504754-003 SHEET NO. 2 OF 2		
	0.25 OVER 0.5 UNDER	±0.05	CHECKED BY YKOBAYASHI 02	DATE 2014/01/17			
	0.5 OVER 1.0 UNDER	±0.1	APPROVED BY YNOGAWA	DATE 2014/10/31			
1.0 OVER 10 UNDER	±0.2	MATERIAL NO. SEE SHEET 1					
10 OVER 30 UNDER	±0.25	ANGULAR ±1 °		THIS DRAWING CONTAINS INFORMATION THAT IS PROPRIETARY TO MOLEX INCORPORATED AND SHOULD NOT BE USED WITHOUT WRITTEN PERMISSION			
30 OVER	±0.3	DRAFT WHERE APPLICABLE MUST REMAIN WITHIN DIMENSIONS					



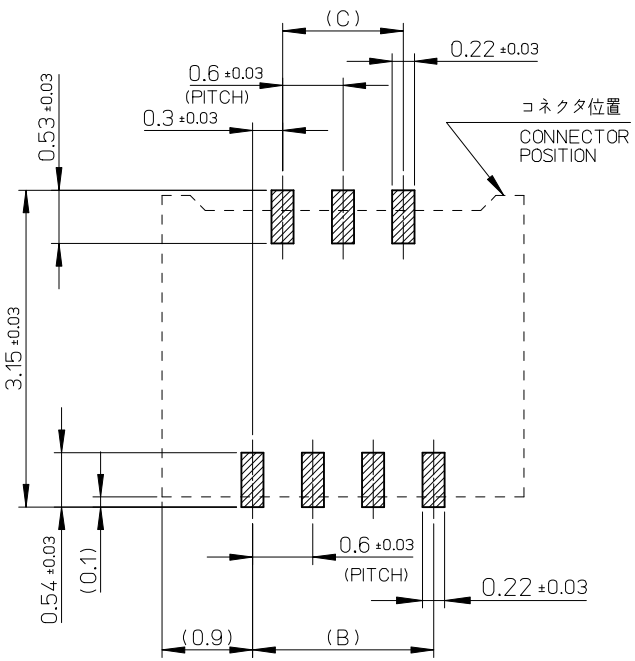
注記 NOTES:  
 1.材質 MATERIAL  
 ハウジング: 液晶ポリマー(LCP)、黒色、ガラス充填、UL94\_V-0  
 HOUSING: LIQUID CRYSTAL POLYMER, BLACK, GLASS FILLED, UL94\_V-0  
 アクチュエータ: ポリアミド樹脂(PA)、灰色、ガラス充填、UL94-HB  
 ACTUATOR: POLYAMIDE, GRAY, GLASS FILLED, UL94\_HB  
 奇数ターミナル: 銅合金 (t=0.10)  
 ODD TERMINAL: COPPER ALLOY(t=0.10)  
 偶数ターミナル: 銅合金 (t=0.10)  
 EVEN TERMINAL: COPPER ALLOY(t=0.10)  
 2.めっき仕様 PLATING  
 奇数/偶数ターミナル ODD/EVEN TERMINAL  
 接点部: 部分金めっき(0.1μm以上)  
 CONTACT AREA: SEPARATED GOLD PLATING (0.1 MICROMETER MINIMUM)  
 半田付け部: 部分金めっき  
 SOLDER TAIL AREA: SEPARATED GOLD PLATING  
 下地: ニッケルめっき(1.0μm以上)  
 UNDERPLATE: NICKEL PLATING(1.0 MICROMETER MINIMUM)  
 3.平坦度は、0.1ミリ以下とする。  
 TAILS' COPLANARITY TO BE 0.1 MAXIMUM.  
 4.ELV及びRoHS適合品  
 ELV AND RoHS COMPLIANT



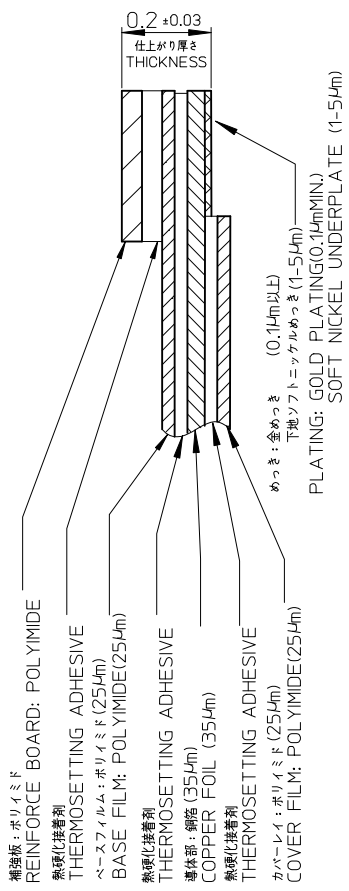
18.6	17.4	18	19.8	504754-6120	61
15.6	14.4	15	16.8	504754-5120	51
12.6	11.4	12	13.8	504754-4120	41
12.0	10.8	11.4	13.2	504754-3920	39
11.4	10.2	10.8	12.6	504754-3720	37
10.8	9.6	10.2	12.0	504754-3520	35
10.2	9	9.6	11.4	504754-3320	33
9.6	8.4	9	10.8	504754-3120	31
7.8	6.6	7.2	9	504754-2520	25
6.6	5.4	6	7.8	504754-2120	21
4.8	3.6	4.2	6	504754-1520	15
3.6	2.4	3	4.8	504754-1120	11
3	1.8	2.4	4.2	504754-0920	9
2.4	1.2	1.8	3.6	504754-0720	7
D	C	B	A	EMBOSSED PACKAGE	CIRCUITS
				オーダー番号:ORDER NO.	

CONNECTOR SERIES : 504754-\*\*29

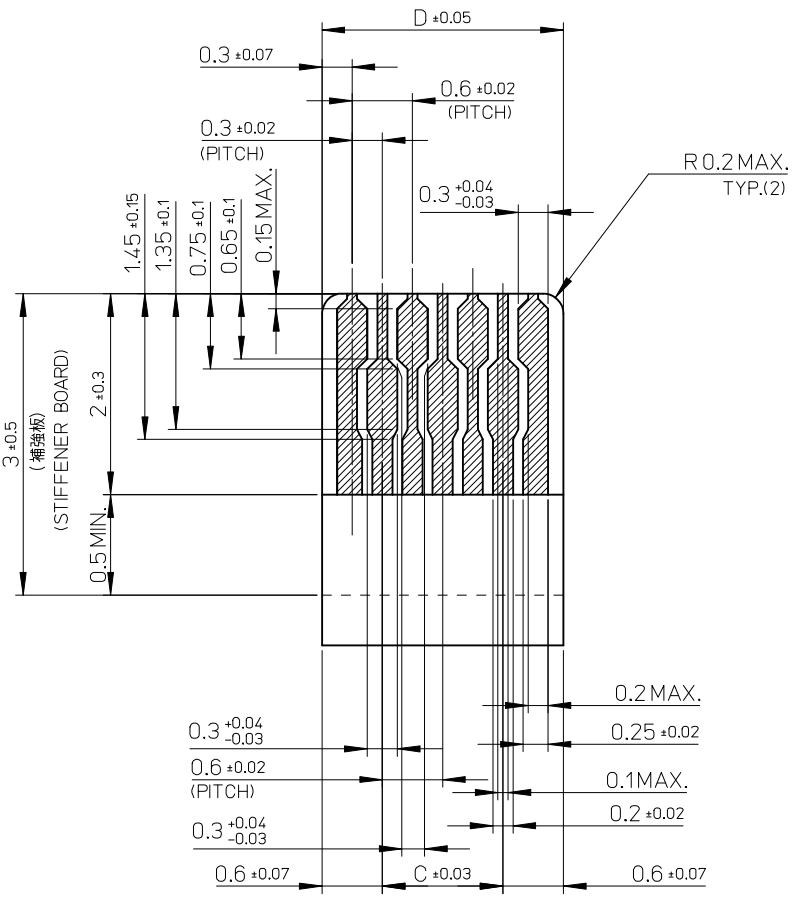
REVISED EC NO: J2016-0484 T1 DRW:AYOSHI 2015/11/10 CHKD:YKOBAYASHI 022015/11/10 APPR:YNOGAWA 2015/11/12	GENERAL TOLERANCES (UNLESS SPECIFIED)		DIMENSION STYLE		SCALE		DESIGN UNITS		THIRD ANGLE PROJECTION	
	0.25 UNDER ±0.03		MM ONLY		20:1		METRIC		⊙	
	0.25 OVER 0.5 UNDER ±0.05		DRAWN BY DATE		TITLE					
	0.5 OVER 1.0 UNDER ±0.1		AYOSHI I01 2014/01/17		0.3 FPC CONN. BACK FLIP					
	1.0 OVER 10 UNDER ±0.2		CHECKED BY DATE		LA75 SERIES					
10 OVER 30 UNDER ±0.25		YKOBAYASHI I02 2014/01/17		HOUSING ASSY						
30 OVER ±0.3		APPROVED BY DATE		moLEX						
ANGULAR ±1 °		YNOGAWA 2014/10/31		SEE CHART		DOCUMENT NO.		SHEET NO.		
DRAFT WHERE APPLICABLE MUST REMAIN WITHIN DIMENSIONS		MATERIAL NO.		SD-504754-003				1 OF 2		
		SIZE		THIS DRAWING CONTAINS INFORMATION THAT IS PROPRIETARY TO MOLEX INCORPORATED AND SHOULD NOT BE USED WITHOUT WRITTEN PERMISSION						
		A3								



推奨基板レイアウト  
RECOMMENDED P.C.BOARD  
PATTERN LAYOUT  
推奨メタルマスク厚さ: 0.1mm  
RECOMMENDED METAL MASK THICKNESS : 0.1mm  
推奨開口率 : 70%  
APERTURE RATE : 70%



FPC構成推奨仕様  
STRUCTURE OF FPC

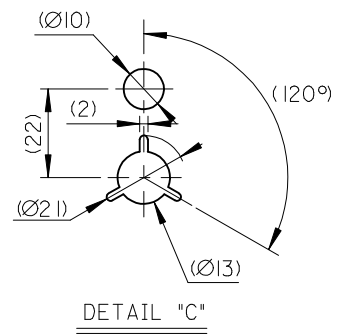
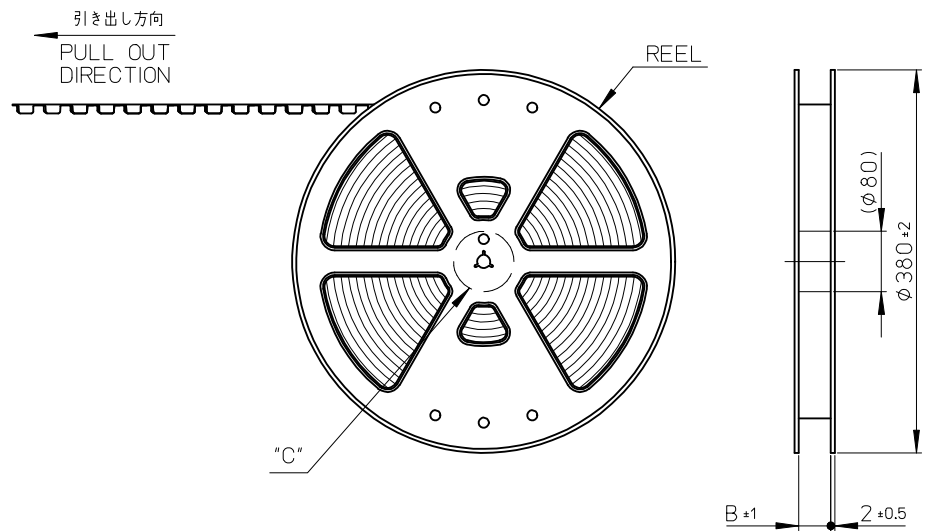


適合金メッキFPC推奨寸法  
仕上がり厚さ : 0.2±0.03  
APPLICABLE FPC WITH GOLD PLATING  
RECOMMENDED DIMENSION  
THICKNESS :0.2±0.03

注記  
NOTE

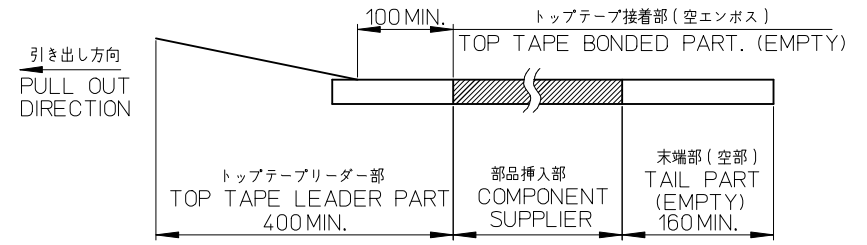
- 必ず基板に実装してからアクチュエータを操作して下さい。  
PLEASE OPERATE THE ACTUATOR AFTER MOUNTING ON THE SUBSTRATE.
- FPCについて  
ABOUT FPC  
補強フィルム材質はポリイミドを推奨します。ベースフィルムは25μmを推奨します。  
接着剤は熱硬化接着剤を推奨します。  
RECOMMENDED STIFFENER MATERIAL: POLYIMIDE  
RECOMMENDED BASE FILM THICKNESS: 25 MICROMETER  
RECOMMENDED ADHESIVE: THERMOSETTING ADHESIVE  
NOTE: PLEASE PUT APPROPRIATE AMOUNT OF ADHESIVE ON ADHEREND BECAUSE THERE IS A POSSIBILITY THAT THE EXTRA ADHESIVE CAUSES THE DEFECT IN ELECTRICAL CONTINUITY.  
打抜き方向は導体側から補強板側を推奨致します。  
RECOMMENDED PUNCHER DIRECTION:  
FROM CONDUCTOR SIDE TO STIFFENER FILM SIDE.

SEE SHEET 1 OF 2 EC NO: J2016-0484 DRAWN: AYOSHI I 01 2015/11/10 CHKD: YKOBAYASHI 02 2015/11/10 APPR: YNOGAWA 2015/11/12	GENERAL TOLERANCES (UNLESS SPECIFIED)		DIMENSION STYLE MM ONLY		SCALE 20:1	DESIGN UNITS METRIC	THIRD ANGLE PROJECTION
	0.25 UNDER	±0.03	DRAWN BY AYOSHI I 01	DATE 2014/01/17	TITLE 0.3 FPC CONN. BACK FLIP LA75 SERIES HOUSING ASSY		
	0.25 OVER 0.5 UNDER	±0.05	CHECKED BY YKOBAYASHI 02	DATE 2014/01/17	moLEX		
	0.5 OVER 1.0 UNDER	±0.1	APPROVED BY YNOGAWA	DATE 2014/10/31			
1.0 OVER 10 UNDER	±0.2	MATERIAL NO. SEE SHEET 1		DOCUMENT NO. SD-504754-003	SHEET NO. 2 OF 2		
10 OVER 30 UNDER	±0.25	THIS DRAWING CONTAINS INFORMATION THAT IS PROPRIETARY TO MOLEX INCORPORATED AND SHOULD NOT BE USED WITHOUT WRITTEN PERMISSION					
30 OVER	±0.3						
ANGULAR	±1 °						
DRAFT WHERE APPLICABLE MUST REMAIN WITHIN DIMENSIONS							



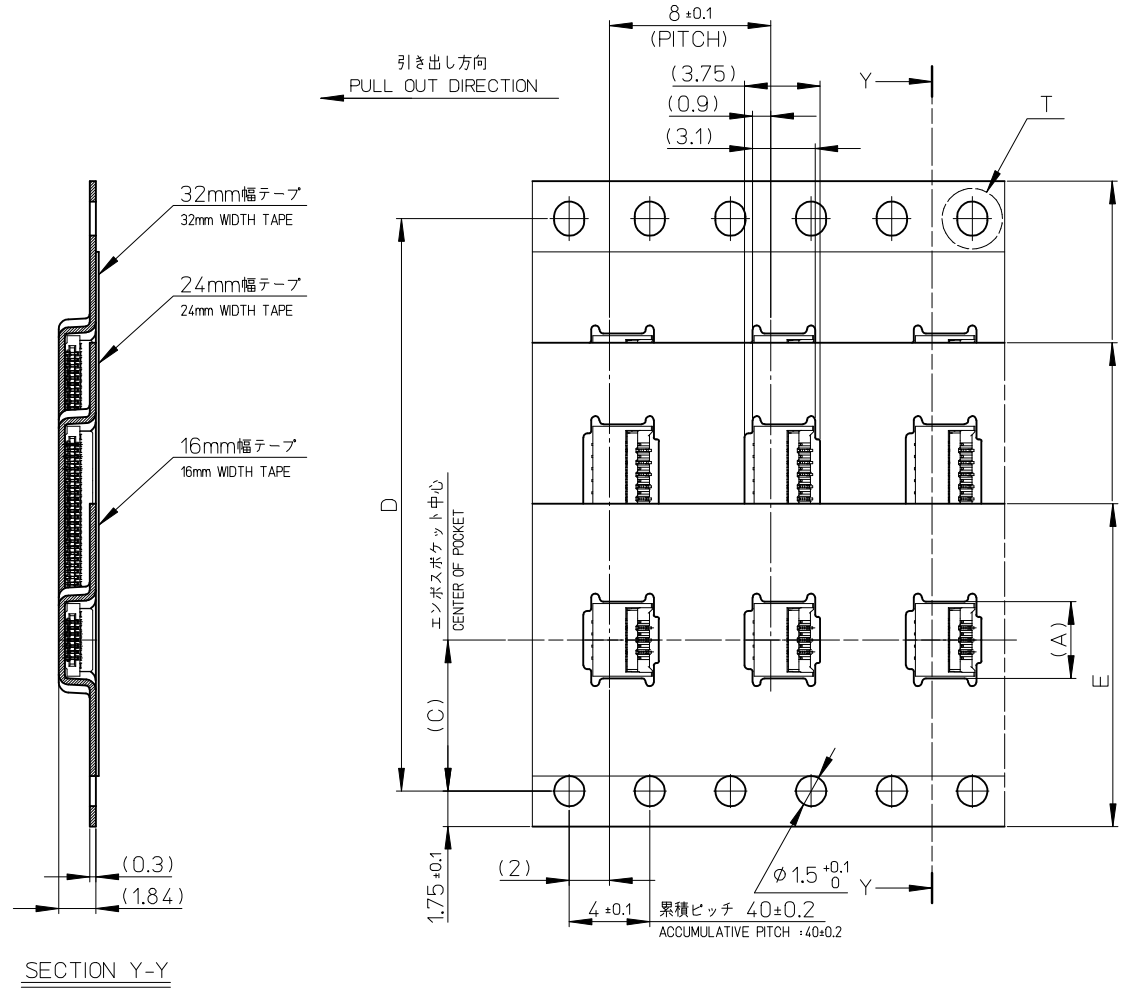
注記 NOTES

- 製品詳細寸法については図面 SD-504754-003 を参照下さい。  
REFER TO THE SD-504754-003 ABOUT DIMENSIONS IN DETAIL.
- 梱包数量：5000個/リール  
NUMBER OF CONNECTORS : 5000 PCS/REEL
- リードテープ長さ LEAD TAPE LENGTH



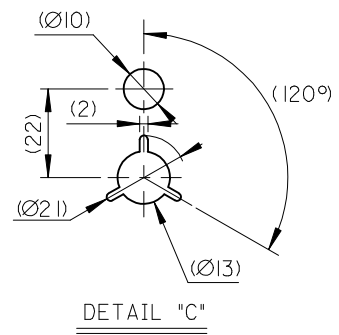
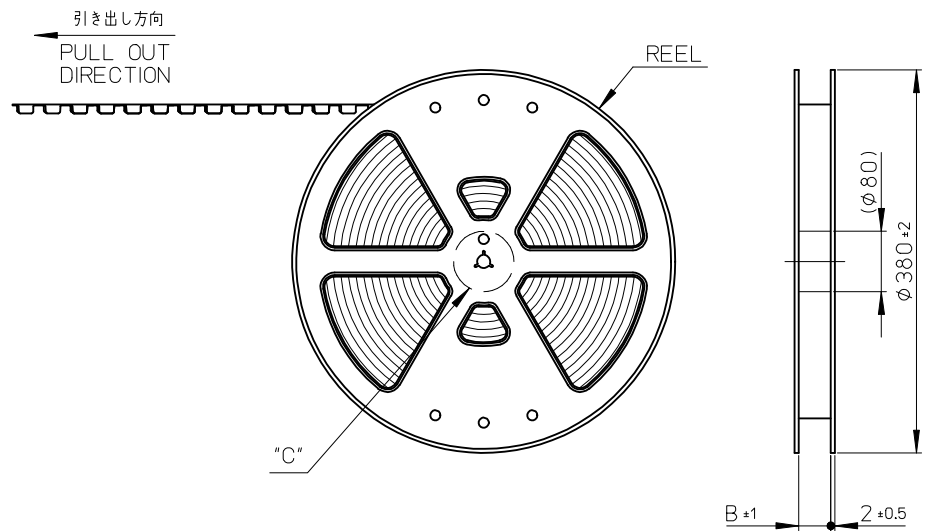
- 材料 MATERIAL  
 キャリアテープ (CARRIER TAPE) : ポリスチレン (POLYSTYRENE)  
 トップテープ (TOP TAPE) : PET , PE , PEF  
 リール (REEL) : ポリスチレン (PS) <リサイクル材を含む>  
 POLYSTYRENE (PS) <RECYCLE MATERIAL CONTAINED>
- ELV 及び RoHS 適合品  
 ELV AND RoHS COMPLIANT

REVISED EC NO: J2016-0484 DRWN: AYOSHI 2015/11/10 CHKD: YKOBAYASHI 02 2015/11/10 APPR: YNOGAWA 2015/11/12	GENERAL TOLERANCES (UNLESS SPECIFIED)		DIMENSION STYLE MM ONLY		SCALE	DESIGN UNITS METRIC	THIRD ANGLE PROJECTION	
	0.25 UNDER	±0.03	DRAWN BY DATE		TITLE			
	0.25 OVER 0.5 UNDER	±0.05	AYOSHI 101 2014/01/17		0.3 FPC CONN. BACK FLIP LA75 SERIES TAPING PACKAGE			
	0.5 OVER 1.0 UNDER	±0.1	CHECKED BY DATE					
	1.0 OVER 10 UNDER	±0.2	YKOBAYASHI 02 2014/01/17					
10 OVER 30 UNDER	±0.25	APPROVED BY DATE		MATERIAL NO.		DOCUMENT NO.		SHEET NO.
30 OVER	±0.3	YNOGAWA 2015/01/29		SEE CHART		SD-504754-004		1 OF 2
ANGULAR ±1 °			SIZE A3		THIS DRAWING CONTAINS INFORMATION THAT IS PROPRIETARY TO MOLEX INCORPORATED AND SHOULD NOT BE USED WITHOUT WRITTEN PERMISSION			
DRAFT WHERE APPLICABLE MUST REMAIN WITHIN DIMENSIONS								



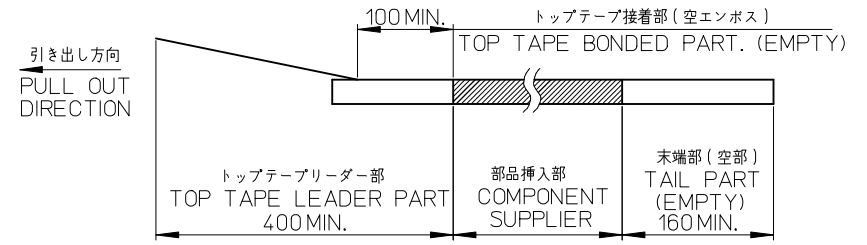
32±0.3	28.4	14.2	33.4	20.0	504754-6120	61	
				17.0	504754-5120	51	
24±0.3	--	11.5	25.4	14.0	504754-4120	41	
				13.4	504754-3920	39	
				12.8	504754-3720	37	
				12.2	504754-3520	35	
				11.6	504754-3320	33	
				11.0	504754-3120	31	
				9.2	504754-2520	25	
16±0.3	--	7.5	17.4	8.0	504754-2120	21	
				6.2	504754-1520	15	
				4.9	504754-1120	11	
				4.3	504754-0920	9	
				3.7	504754-0720	7	
E キャリアテープ幅 EMBOSSED TAPE WIDTH		D	C	B	A	オーダー番号 ORDER NO.	極数 CIRCUITS

SEE SHEET 1 EC NO: J2016-0484 DRWN: AYOSHI 101 2015/11/10 CHKD: YKOBAYASHI 02 2015/11/10 APPR: YNOGAWA 2015/11/12	GENERAL TOLERANCES (UNLESS SPECIFIED)		DIMENSION STYLE MM ONLY		SCALE	DESIGN UNITS METRIC	THIRD ANGLE PROJECTION	
	0.25 UNDER	±0.03	DRAWN BY	DATE	TITLE			
	0.25 OVER 0.5 UNDER	±0.05	AYOSHI 101	2014/01/17	0.3 FPC CONN. BACK FLIP LA75 SERIES TAPING PACKAGE			
	0.5 OVER 1.0 UNDER	±0.1	CHECKED BY	DATE				
	1.0 OVER 10 UNDER	±0.2	YKOBAYASHI 02	2014/01/17				
10 OVER 30 UNDER	±0.25	APPROVED BY	DATE	DOCUMENT NO.		SHEET NO.		
30 OVER	±0.3	YNOGAWA	2015/01/29	SD-504754-004		2 OF 2		
ANGULAR ±1 °		MATERIAL NO.		SEE CHART				
DRAFT WHERE APPLICABLE MUST REMAIN WITHIN DIMENSIONS				THIS DRAWING CONTAINS INFORMATION THAT IS PROPRIETARY TO MOLEX INCORPORATED AND SHOULD NOT BE USED WITHOUT WRITTEN PERMISSION				



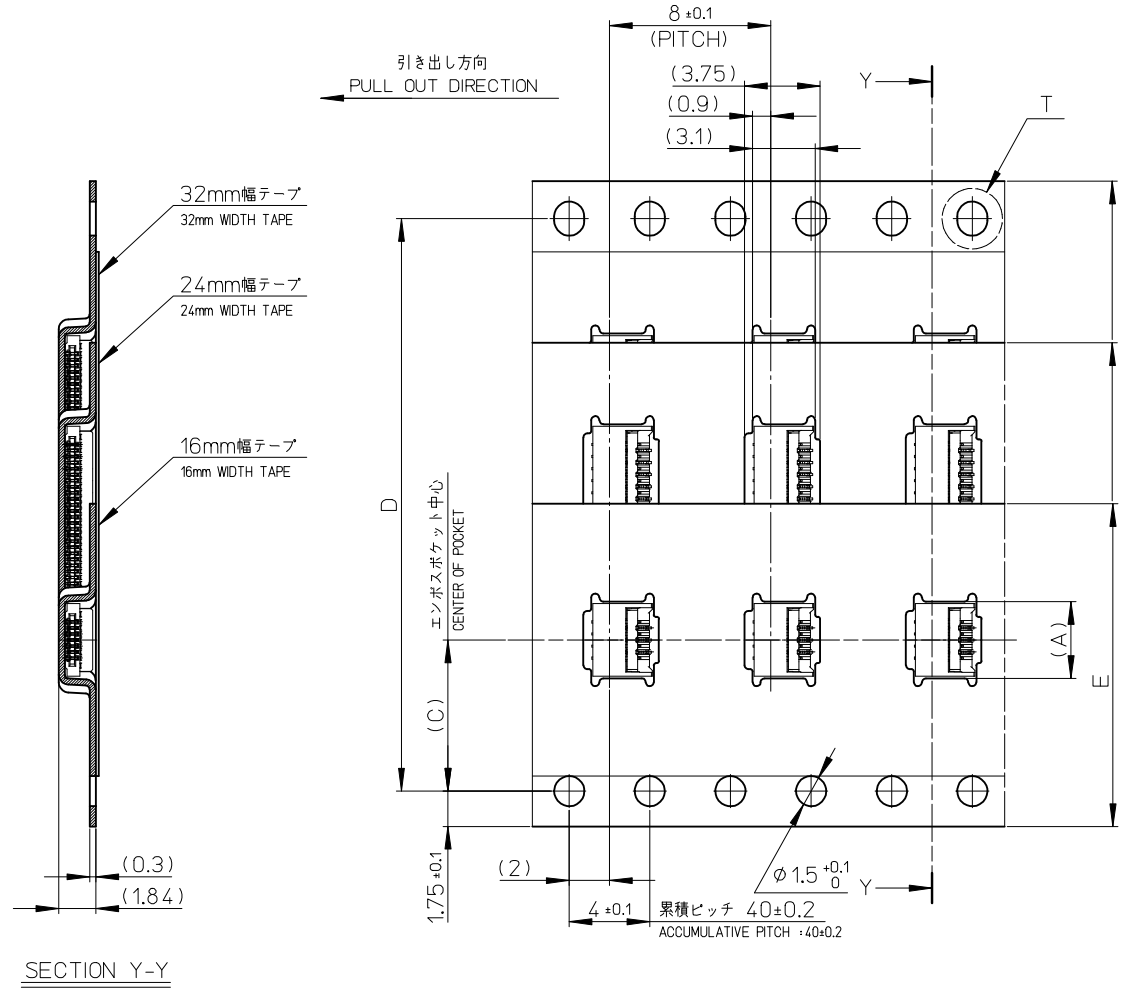
注記 NOTES

- 製品詳細寸法については図面 SD-504754-003 を参照下さい。  
REFER TO THE SD-504754-003 ABOUT DIMENSIONS IN DETAIL.
- 梱包数量：5000個/リール  
NUMBER OF CONNECTORS : 5000 PCS/REEL
- リードテープ長さ LEAD TAPE LENGTH



- 材料 MATERIAL  
 キャリアテープ (CARRIER TAPE) : ポリスチレン (POLYSTYRENE)  
 トップテープ (TOP TAPE) : PET , PE , PEF  
 リール (REEL) : ポリスチレン (PS) <リサイクル材を含む>  
 POLYSTYRENE (PS) <RECYCLE MATERIAL CONTAINED>
- ELV 及び RoHS 適合品  
 ELV AND RoHS COMPLIANT

REVISED EC NO: J2016-0484 DRWN: AYOSHI 101 2015/11/10 CHKD: YKOBAYASHI 02 2015/11/10 APPR: YNOGAWA 2015/11/12	GENERAL TOLERANCES (UNLESS SPECIFIED)		DIMENSION STYLE MM ONLY		SCALE	DESIGN UNITS METRIC	THIRD ANGLE PROJECTION	
	0.25 UNDER	±0.03	DRAWN BY DATE		TITLE			
	0.25 OVER 0.5 UNDER	±0.05	AYOSHI 101 2014/01/17		0.3 FPC CONN. BACK FLIP LA75 SERIES TAPING PACKAGE			
	0.5 OVER 1.0 UNDER	±0.1	CHECKED BY DATE					
	1.0 OVER 10 UNDER	±0.2	YKOBAYASHI 02 2014/01/17					
10 OVER 30 UNDER	±0.25	APPROVED BY DATE		MATERIAL NO.		DOCUMENT NO.		SHEET NO.
30 OVER	±0.3	YNOGAWA 2015/01/29		SEE CHART		SD-504754-004		1 OF 2
ANGULAR ±1 °			SIZE A3		THIS DRAWING CONTAINS INFORMATION THAT IS PROPRIETARY TO MOLEX INCORPORATED AND SHOULD NOT BE USED WITHOUT WRITTEN PERMISSION			
DRAFT WHERE APPLICABLE MUST REMAIN WITHIN DIMENSIONS								



32±0.3	28.4	14.2	33.4	20.0	504754-6120	61
				17.0	504754-5120	51
				14.0	504754-4120	41
				13.4	504754-3920	39
				12.8	504754-3720	37
				12.2	504754-3520	35
				11.6	504754-3320	33
				11.0	504754-3120	31
24±0.3	--	11.5	25.4	9.2	504754-2520	25
				8.0	504754-2120	21
				6.2	504754-1520	15
				4.9	504754-1120	11
				4.3	504754-0920	9
				3.7	504754-0720	7
16±0.3	--	7.5	17.4	E キャリアテープ幅 EMBOSSED TAPE WIDTH		D
				C		B
				A		
				オーダー番号 ORDER NO.		極数 CIRCUITS

SECTION Y-Y

SEE SHEET 1 EC NO: J2016-0484 DRWN: AYOSHI 101 2015/11/10 CHKD: YKOBAYASHI 02 2015/11/10 APPR: YNOGAWA 2015/11/12	GENERAL TOLERANCES (UNLESS SPECIFIED)		DIMENSION STYLE MM ONLY		SCALE	DESIGN UNITS METRIC	THIRD ANGLE PROJECTION	
	0.25 UNDER	±0.03	DRAWN BY	DATE	TITLE	0.3 FPC CONN. BACK FLIP LA75 SERIES TAPING PACKAGE <b>molex</b> SD-504754-004 SHEET NO. 2 OF 2		
	0.25 OVER 0.5 UNDER	±0.05	AYOSHI 101	2014/01/17				
	0.5 OVER 1.0 UNDER	±0.1	CHECKED BY	DATE				
	1.0 OVER 10 UNDER	±0.2	YKOBAYASHI 02	2014/01/17				
10 OVER 30 UNDER	±0.25	APPROVED BY	DATE					
30 OVER	±0.3	YNOGAWA	2015/01/29	MATERIAL NO.	DOCUMENT NO.			
ANGULAR ±1 °		DRAFT WHERE APPLICABLE MUST REMAIN WITHIN DIMENSIONS		SEE CHART				
				SIZE A3		THIS DRAWING CONTAINS INFORMATION THAT IS PROPRIETARY TO MOLEX INCORPORATED AND SHOULD NOT BE USED WITHOUT WRITTEN PERMISSION		