

NOTES

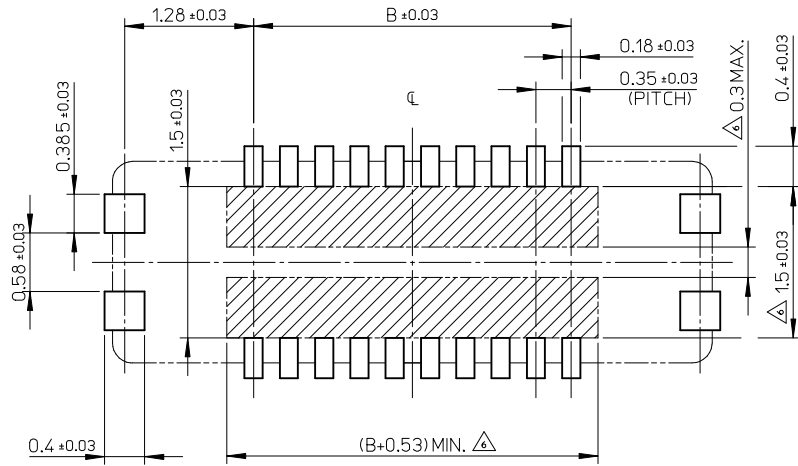
- MATERIAL
HOUSING : LIQUID CRYSTAL POLYMER UL94V-0(COLOR : BLACK)
TERMINAL : COPPER ALLOY
FITTING NAIL : COPPER ALLOY
- PLATING
TERMINAL :
GOLD
UNDER PLATING : NICKEL
*DIVIDE INTO PARTS THE GOLD PLATING OF THE CONTACT AND THE TAIL PART BY THE NICKEL PLATING.
FITTING NAIL :
GOLD
UNDER PLATING : NICKEL
*DIVIDE INTO PARTS THE GOLD PLATING OF THE CONTACT AND THE TAIL PART BY THE NICKEL PLATING.
- APPLY FOR (CIRCUIT/2)=EVEN.
- MATE WITH : 505070-***10
- TAIL AND FITTING NAIL COPLANARITY TO BE 0.08MAXIMUM.
- PROHIBITED AREA OF PATTERN WIRING AND SOLDER.
(FOR EACH AREA, THE WIRING THAT TOUCHES ON THE SOLDER CAN BE ATTACHED, THEN COVERED WITH A FILM TO KEEP SOLDER OUT.)
- ELV and RoHS COMPLIANT.

11.90	14.70	505066-7010	---	---	70
10.85	13.65	505066-6410	---	---	64
10.15	12.95	505066-6010	---	Δ	60
9.80	12.60	505066-5810	---	---	58
9.10	11.90	505066-5410	---	○	54
8.40	11.20	505066-5010	---	Δ	50
8.05	10.85	505066-4810	○	---	48
7.70	10.50	505066-4610	---	○	46
7.00	9.80	505066-4210	---	---	42
6.65	9.45	505066-4010	○	---	40
6.30	9.10	505066-3810	---	---	38
5.60	8.40	505066-3410	---	○	34
4.90	7.70	505066-3010	○	---	30
3.85	6.65	505066-2410	---	Δ	24
3.50	6.30	505066-2210	---	○	22
3.15	5.95	505066-2010	---	○	20
2.80	5.60	505066-1810	---	---	18
2.45	5.25	505066-1610	○	---	16
2.10	4.90	505066-1410	---	○	14
1.75	4.55	505066-1210	○	---	12
1.40	4.20	505066-1010	---	Δ	10
0.70	3.50	505066-0610	○	---	6

B	A	EMBOSSED TAPE PACKAGE	HIGH VOL. TOOL	LOW VOL. TOOL	CIRCUIT
		ORDER NO.	SAMPLE PREPARATION ○ : TOOLED Δ : WORK IN PROCESS --- : TOOLING TO BE CONFIRMED		

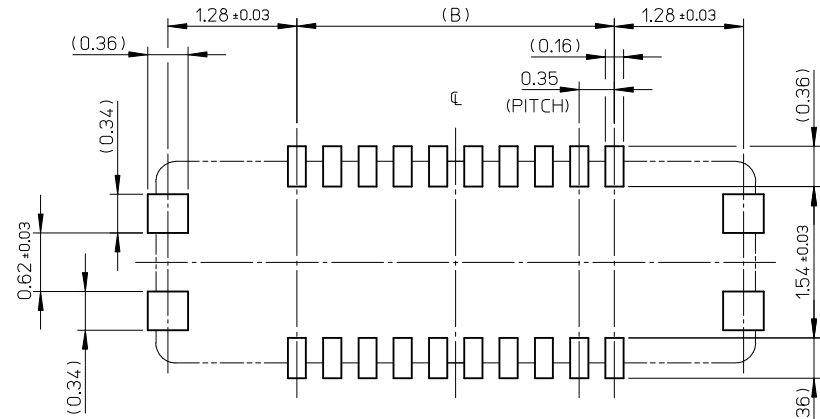
CONNECTOR SERIES No. : 505066-***09

REVISED EC NO: J2015-0801 DRWN: TSOMEYA 2014/12/18 CHKD: KMORIKAWA 2014/12/24 APPR: KMORIKAWA 2014/12/24	DESCRIPTION	GENERAL TOLERANCES (UNLESS SPECIFIED)		DIMENSION STYLE MM ONLY		SCALE 20:1	DESIGN UNITS METRIC	THIRD ANGLE PROJECTION	
		10 UNDER	± 0.2	DRAWN BY KSASAKI	DATE 2014/04/07	TITLE 0.35 BB CONN. H=0.6 SSB6 RP REC. ASSY			
		10 OVER 30 UNDER	± 0.25	CHECKED BY KTANAKA03	DATE 2014/04/07				
		30 OVER	± 0.3	APPROVED BY KMORIKAWA	DATE 2014/04/08				
		ANGULAR ± 1 °		DRAFT WHERE APPLICABLE MUST REMAIN WITHIN DIMENSIONS		MATERIAL NO. SEE CHART		DOCUMENT NO. SD-505066-001	SHEET NO. 1 OF 2
M	REV	SIZE A3 THIS DRAWING CONTAINS INFORMATION THAT IS PROPRIETARY TO MOLEX INCORPORATED AND SHOULD NOT BE USED WITHOUT WRITTEN PERMISSION							



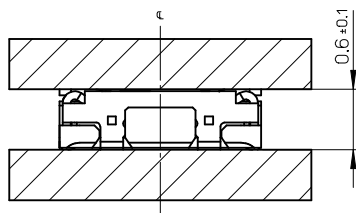
RECOMMENDED P.W.BOARD PATTERN LAYOUT (REFERENCE)

△ PROHIBITED AREA OF PATTERN WIRING AND SOLDER.
(FOR EACH AREA, THE WIRING THAT TOUCHES ON THE SOLDER
CAN BE ATTACHED, THEN COVERED WITH A FILM TO KEEP SOLDER OUT.)



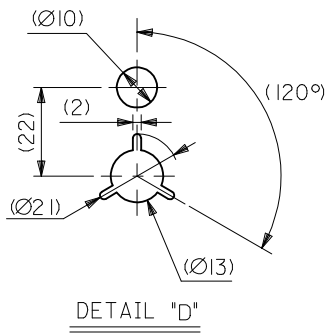
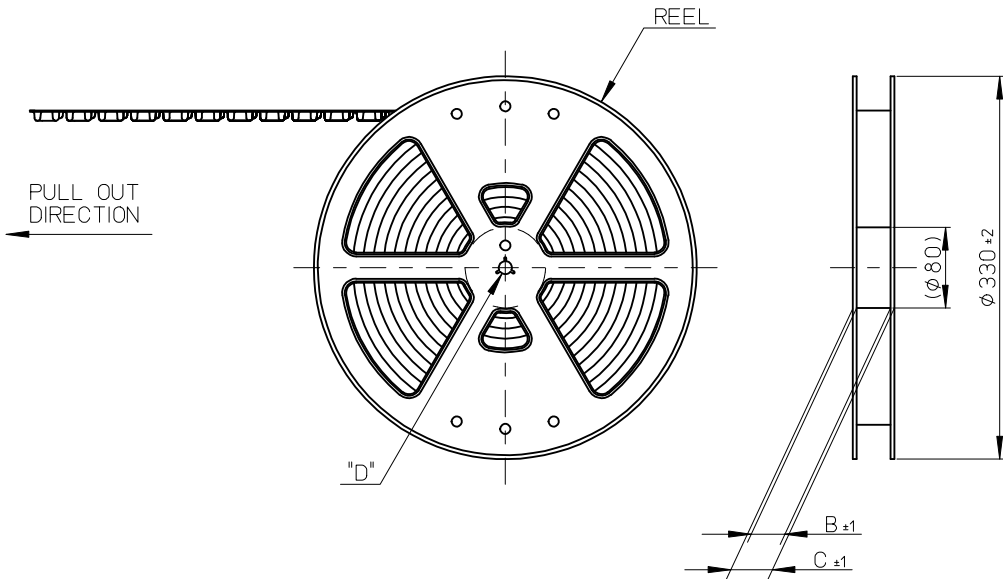
RECOMMENDED METAL MASK LAYOUT (REFERENCE)

RECOMMENDED THICKNESS OF METAL MASK : t=0.08mm
RECOMMENDED OPEN APERTURE RATIO OF METAL MASK : 80%



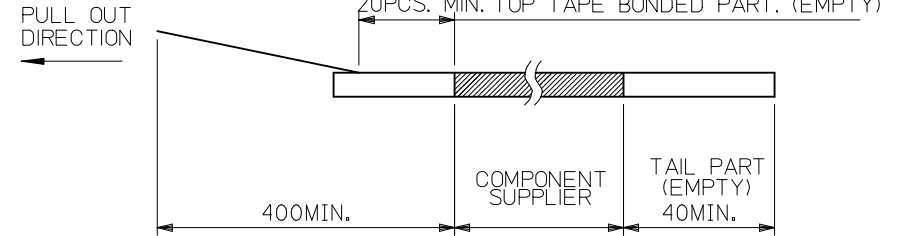
MATED CONDITION

SEE SHEET 1 OF 2 EC NO: J2015-0801 DRWN: TSOMEYA 2014/12/18 CHKD: APPR: KMORIKAWA 2014/12/24	GENERAL TOLERANCES (UNLESS SPECIFIED)		DIMENSION STYLE MM ONLY	SCALE 20:1	DESIGN UNITS METRIC	THIRD ANGLE PROJECTION
	10 UNDER	± 0.2	DRAWN BY KSASAKI	DATE 2014/04/07	TITLE 0.35 BB CONN. H=0.6 SSB6 RP REC. ASSY	
	10 OVER 30 UNDER	± 0.25	CHECKED BY KTANAKA03	DATE 2014/04/07		
	30 OVER	± 0.3	APPROVED BY KMORIKAWA	DATE 2014/04/08		
ANGULAR	± 1 °	MATERIAL NO. SEE SHEET 1		DOCUMENT NO. SD-505066-001	SHEET NO. 2 OF 2	
DRAFT WHERE APPLICABLE MUST REMAIN WITHIN DIMENSIONS		THIS DRAWING CONTAINS INFORMATION THAT IS PROPRIETARY TO MOLEX INCORPORATED AND SHOULD NOT BE USED WITHOUT WRITTEN PERMISSION				

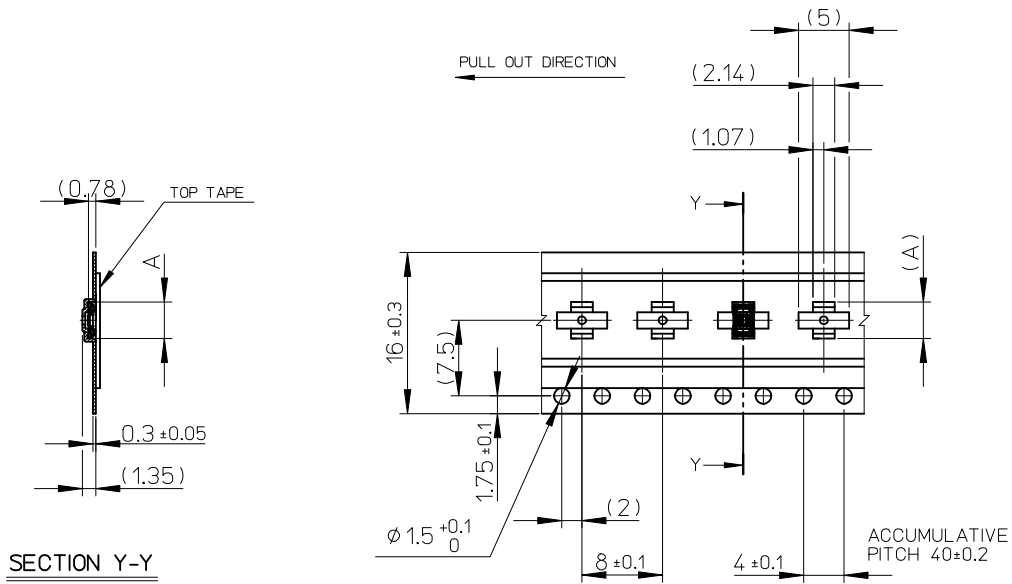


NOTES

- RE DETAILED DIMENSION, SEE PRODUCT DRAWING.
- NUMBER OF CONNECTORS : 3000PCS/REEL
- LEAD TAPE LENGTH
 - 400MIN.
 - 20PCS. MIN. TOP TAPE BONDED PART. (EMPTY)
 - COMPONENT SUPPLIER
 - TAIL PART (EMPTY) 40MIN.
- TOP TAPE PEEL FORCE IS DEFINED BY IEC60286-3.
- MATERIAL
 CARRIER TAPE : POLYSTYRENE
 TOP TAPE : PET , OTHER
 REEL : POLYSTYRENE (PS) <RECYCLE MATERIAL CONTAINED>
- ELV AND RoHS COMPLIANT

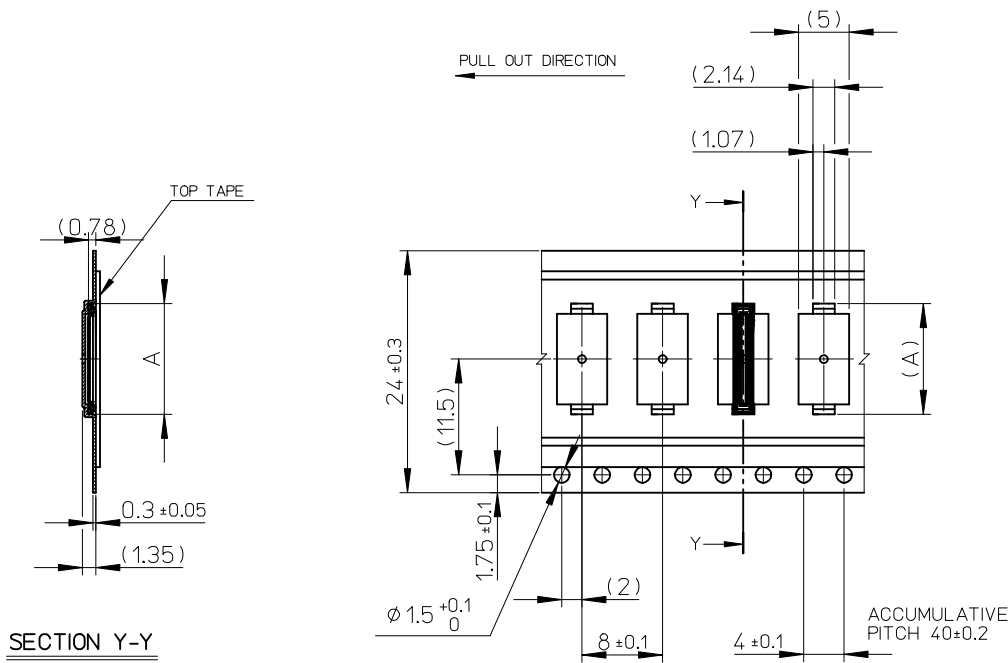


REVISED EC NO: J2015-0801 DRWN: ISOMEYA 2014/12/18 CHKD: APPR: KMORIKAWA 2014/12/24 REV: G	GENERAL TOLERANCES (UNLESS SPECIFIED)		DIMENSION STYLE MM ONLY		SCALE 1:5	MODEL NO. 505066-**10	DESIGN UNITS METRIC	THIRD ANGLE PROJECTION
	10 UNDER	± 0.2	DRAWN BY KSASAKI	DATE 2014/04/07	TITLE 0.35 BB CONN. H=0.6 SSB6 RP REC. ASSY EMBSTP PKG			
	10 OVER 30 UNDER	± 0.25	CHECKED BY KTANAKA03	DATE 2014/04/07				
	30 OVER	± 0.3	APPROVED BY KMORIKAWA	DATE 2014/04/08				
ANGULAR $\pm 1^\circ$		DRAFT WHERE APPLICABLE MUST REMAIN WITHIN DIMENSIONS		MATERIAL NO. SEE CHART		DOCUMENT NO. SD-505066-002	SHEET NO. 1 OF 3	
THIS DRAWING CONTAINS INFORMATION THAT IS PROPRIETARY TO MOLEX INCORPORATED AND SHOULD NOT BE USED WITHOUT WRITTEN PERMISSION								



16	21.4	17.4	7.82	505066-3010	o	---	30		
			6.77	505066-2410	---	Δ	24		
			6.42	505066-2210	---	o	22		
			6.07	505066-2010	---	o	20		
			5.72	505066-1810	---	---	18		
			5.37	505066-1610	o	---	16		
			5.02	505066-1410	---	o	14		
			4.67	505066-1210	o	---	12		
			4.32	505066-1010	---	Δ	10		
3.62	505066-0610	o	---	6					
キャリアテープ幅 CARRIER TAPE WIDTH			C	B	(A)	MATERIAL No.	HIGH VOL. TOOL	LOW VOL. TOOL	CIRCUIT
SAMPLE PREPARATION									

SEE SHEET 1 EC NO: J2015-0801 DRWN: TSOMEYA 2014/12/18 CHKD: APPR: KMORIKAWA 2014/12/24 REV: G	GENERAL TOLERANCES (UNLESS SPECIFIED)		DIMENSION STYLE MM ONLY		SCALE 2:1	DESIGN UNITS METRIC	THIRD ANGLE PROJECTION			
	10 UNDER	± 0.2	DRAWN BY KSASAKI	DATE 2014/04/07	TITLE 0.35 BB CONN. H=0.6 SSB6 RP REC. ASSY EMBSTP PKG					
	10 OVER 30 UNDER	± 0.25	CHECKED BY KTANAKA03	DATE 2014/04/07						
	30 OVER	± 0.3	APPROVED BY KMORIKAWA	DATE 2014/04/08						
	ANGULAR ± 1 °		MATERIAL NO.		DOCUMENT NO.		SHEET NO.			
DRAFT WHERE APPLICABLE MUST REMAIN WITHIN DIMENSIONS		SEE CHART		SD-505066-002		2 OF 3				
		SIZE A3		THIS DRAWING CONTAINS INFORMATION THAT IS PROPRIETARY TO MOLEX INCORPORATED AND SHOULD NOT BE USED WITHOUT WRITTEN PERMISSION						



24	29.4	25.4	13.77	505066-6410	---	---	64		
			13.07	505066-6010	---	Δ	60		
			12.02	505066-5410	---	○	54		
			11.32	505066-5010	---	Δ	50		
			10.99	505066-4810	○	---	48		
			10.62	505066-4610	---	○	46		
			9.92	505066-4210	---	---	42		
			9.57	505066-4010	○	---	40		
8.52	505066-3410	---	○	34					
キャリアテープ幅 CARRIER TAPE WIDTH			C	B	(A)	MATERIAL No.	HIGH VOL. TOOL	LOW VOL. TOOL	CIRCUIT
SAMPLE PREPARATION									

SEE SHEET 1 EC NO: J2015-0801 DRWN: ISOMEYA 2014/12/18 CHKD: APPR: KMORIKAWA 2014/12/24 G	DESCRIPTION	GENERAL TOLERANCES (UNLESS SPECIFIED)	DIMENSION STYLE	SCALE	DESIGN UNITS	THIRD ANGLE PROJECTION	
	REV	DESCRIPTION	MM ONLY	2:1	METRIC	CIRCUIT	
		10 UNDER	±0.2	DRAWN BY	DATE	TITLE	
		10 OVER 30 UNDER	±0.25	KSASAKI	2014/04/07	0.35 BB CONN. H=0.6 SSB6 RP REC. ASSY EMBSTP PKG	
		30 OVER	±0.3	CHECKED BY	DATE	molex	
	ANGULAR	±1°	KTANAKA03	2014/04/07	DOCUMENT NO.		
	DRAFT WHERE APPLICABLE MUST REMAIN WITHIN DIMENSIONS		APPROVED BY	DATE	SD-505066-002		
			KMORIKAWA	2014/04/08	SHEET NO.		
			MATERIAL NO.		3 OF 3		
			SIZE	THIS DRAWING CONTAINS INFORMATION THAT IS PROPRIETARY TO MOLEX INCORPORATED AND SHOULD NOT BE USED WITHOUT WRITTEN PERMISSION			
			A3				