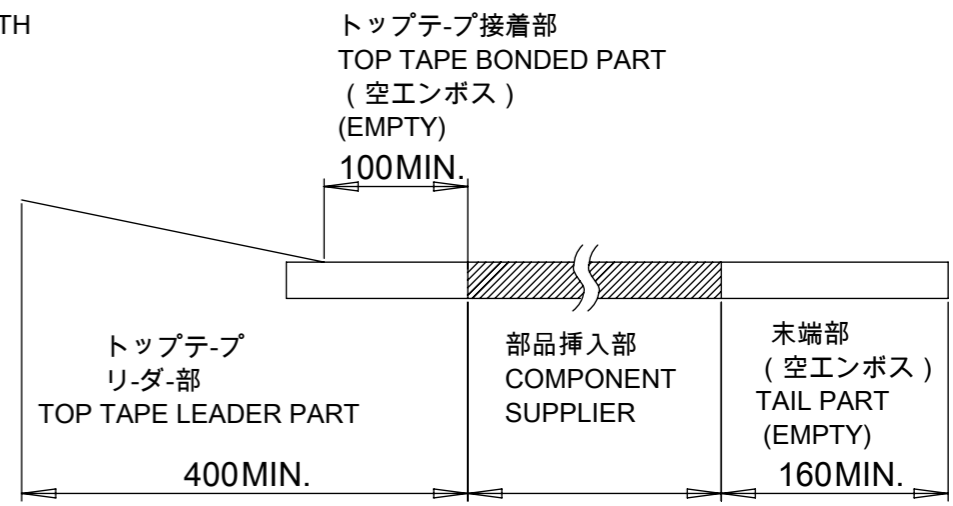


NOTES

- 梱包数量 : 900 個 / リール
NUMBER OF CONNECTORS: 900 PCS/REEL
- リードテープ長さ
LEAD TAPE LENGTH

引き出し方向
PULL OUT DIRECTION



3. 製品詳細寸法については図面 SD-501864-008を参照下さい。
RE DETAILED DIMENSION, SEE SD-501864-008.

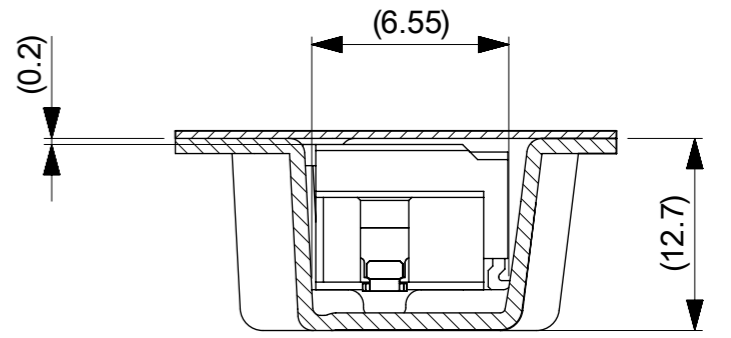
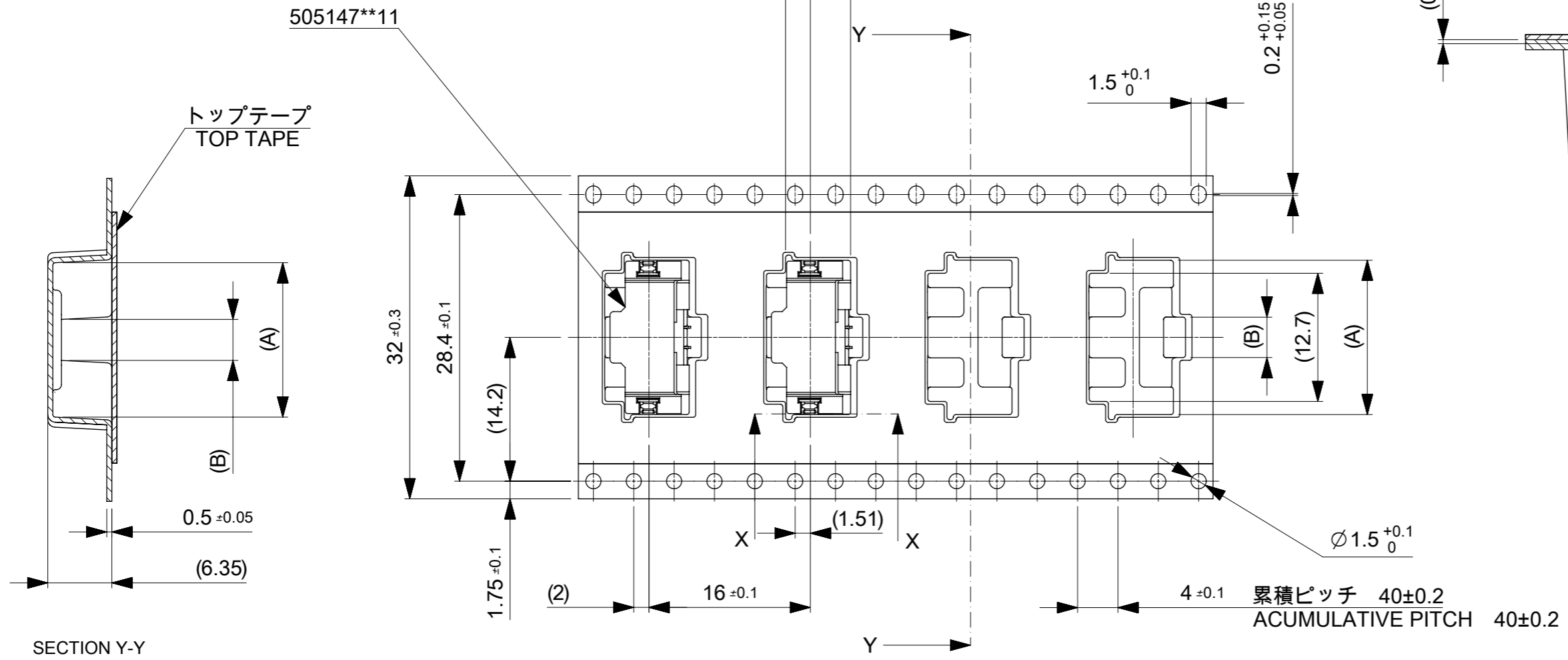
4. 材料(MATERIAL)
キャリアテープ(CARRIER TAPE) : ポリスチレン(POLYSTYRENE)
トップテープ(TOP TAPE) : PET, PE, PE
リール(REEL) : ポリスチレン(POLYSTYRENE)

5. カバーテープの剥離強度については、IEC60286-3に準拠
COVER TAPE PEEL FORCE IS DEFINED BY IEC60286-3.

6. ELV及びRoHS適合品
ELV AND RoHS COMPLIANT

QUALITY SYMBOLS ▽A = 0 ▽E = 0 ▽F = 0 ▼ = 0 ▽C = 0 ⊠ = 0 ■ = 0 ▽ = 0	THIS DRAWING CONTAINS INFORMATION THAT IS PROPRIETARY TO MOLEX ELECTRONIC TECHNOLOGIES, LLC AND SHOULD NOT BE USED WITHOUT WRITTEN PERMISSION										
	EC NO: 102004 DRWN: AISHII CHK'D: YNOGAWA APPR: YNOGAWA	2015/10/29	2015/12/04	GENERAL TOLERANCES (UNLESS SPECIFIED)		DIMENSION UNITS	SCALE				
				ANGULAR TOL ± 0.1 °		mm	2:1				
		4 PLACES	± 0.03	AISHII		DATE		EMBSTP PKG FOR 2.0 FPC TO BOARD RA TYPE			
		3 PLACES	± 0.03	KTAKAHASHI		DATE					
		2 PLACES	± 0.05	YNOGAWA		DATE					
	1 PLACE	± 0.1	YNOGAWA		2015/12/04		PRODUCT CUSTOMER DRAWING				
	0 PLACES	± 0.2	DRAFT WHERE APPLICABLE MUST REMAIN WITHIN DIMENSIONS		DRAWING SIZE	THIRD ANGLE PROJECTION	SERIES	MATERIAL NUMBER	CUSTOMER		
	A3		A3		505147		GENERAL				
	A		REV		5051470000		DOCUMENT NUMBER	DOC TYPE	DOC PART	SHEET NUMBER	
				PSD		000	1 OF 2				

引き出し方向
PULL OUT DIRECTION



SECTION X-X

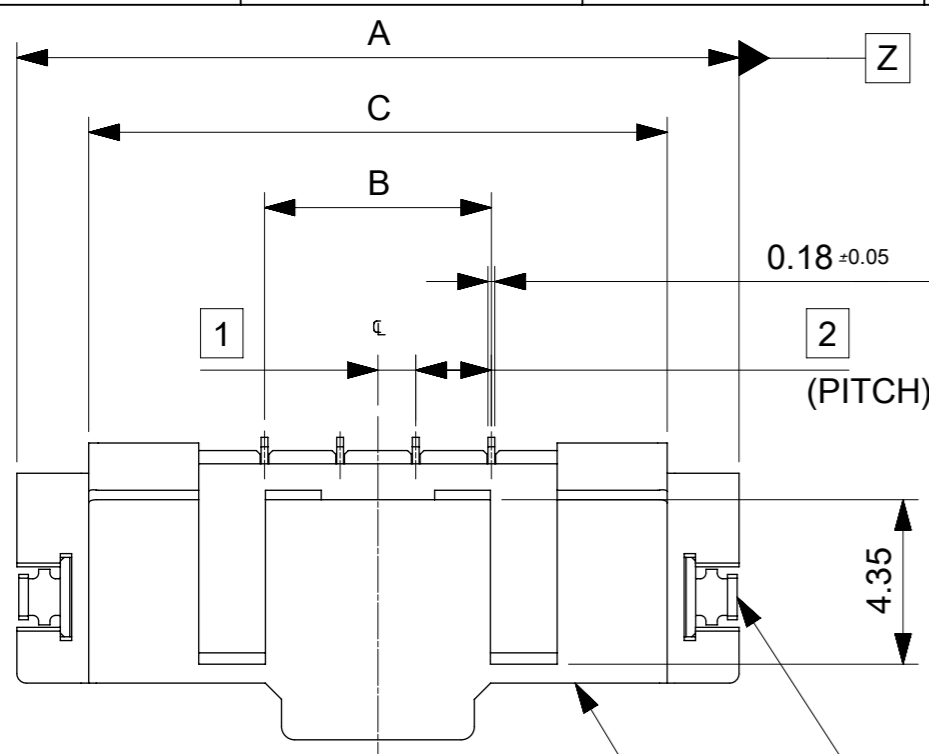
SECTION Y-Y

32mm幅キャリアテープ
32mm WIDTH CARRIER TAPE

累積ピッチ 40±0.2
ACUMULATIVE PITCH 40±0.2

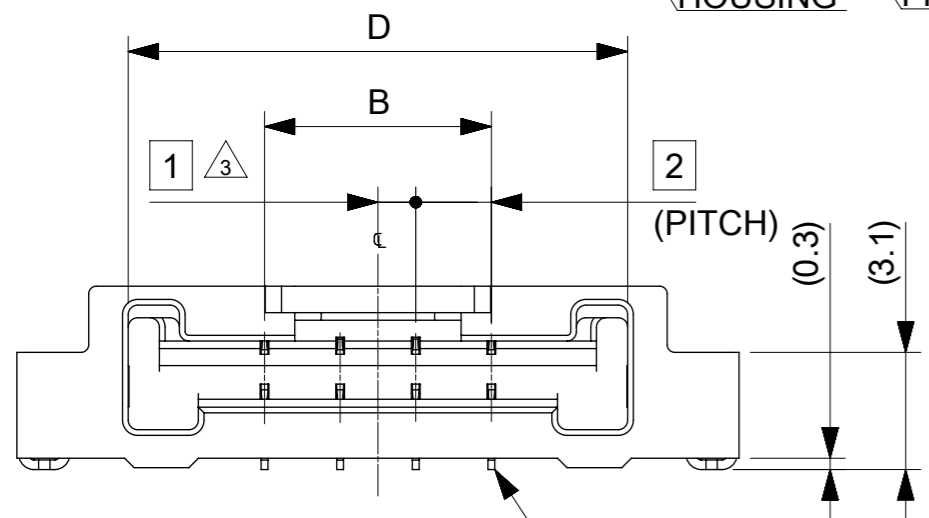
32	33.4	8.0	19.3	5051470490	4
		6.0	17.3	5051470390	3
		4.0	15.3	5051470290	2
キャリアテープ幅 CARRIER TAPE WIDTH	C	B	A	オーダー番号 ORDER NO.	極数 CKT

THIS DRAWING CONTAINS INFORMATION THAT IS PROPRIETARY TO MOLEX ELECTRONIC TECHNOLOGIES, LLC AND SHOULD NOT BE USED WITHOUT WRITTEN PERMISSION										
QUALITY SYMBOLS	EC NO: 102004 DRWN: AISHII CHK'D: YNOGAWA APPR: YNOGAWA	GENERAL TOLERANCES (UNLESS SPECIFIED)			DIMENSION UNITS	SCALE				
		ANGULAR TOL ± 0.1 °			mm	2:1				
▽A = 0	2015/10/29 2015/12/04 2015/12/04	4 PLACES ± 0.03	AISHII		DATE		EMBSTP PKG FOR 2.0 FPC TO BOARD RA TYPE			
▽E = 0		3 PLACES ± 0.03	AISHII		2015/10/29					
▽B = 0		2 PLACES ± 0.05	CHK'D BY		DATE					
▽ = 0		1 PLACE ± 0.1	KTAKAHASHI							
▽C = 0		0 PLACES ± 0.2	APPR BY		DATE					
▽ = 0			YNOGAWA		2015/12/04					
▽ = 0		DRAFT WHERE APPLICABLE MUST REMAIN WITHIN DIMENSIONS		DRAWING SIZE	THIRD ANGLE PROJECTION	PRODUCT CUSTOMER DRAWING				
▽ = 0				A3		SERIES	MATERIAL NUMBER	CUSTOMER		
						505147	SEE CHART	GENERAL		
						DOCUMENT NUMBER		DOC TYPE	DOC PART	SHEET NUMBER
						5051470000		PSD	000	2 OF 2

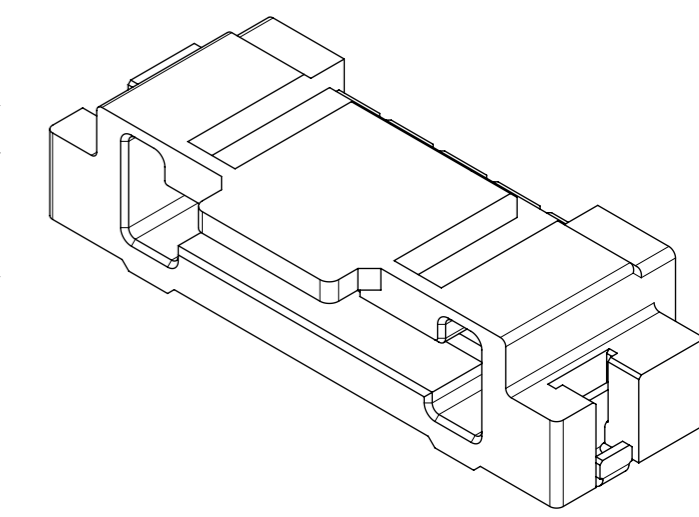
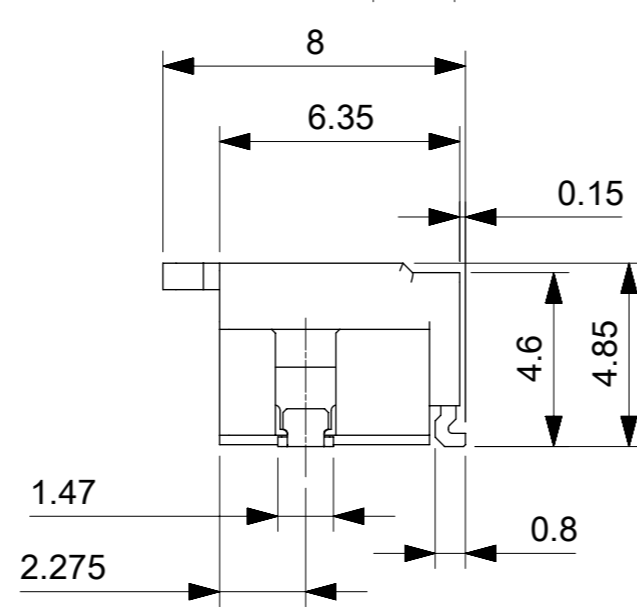
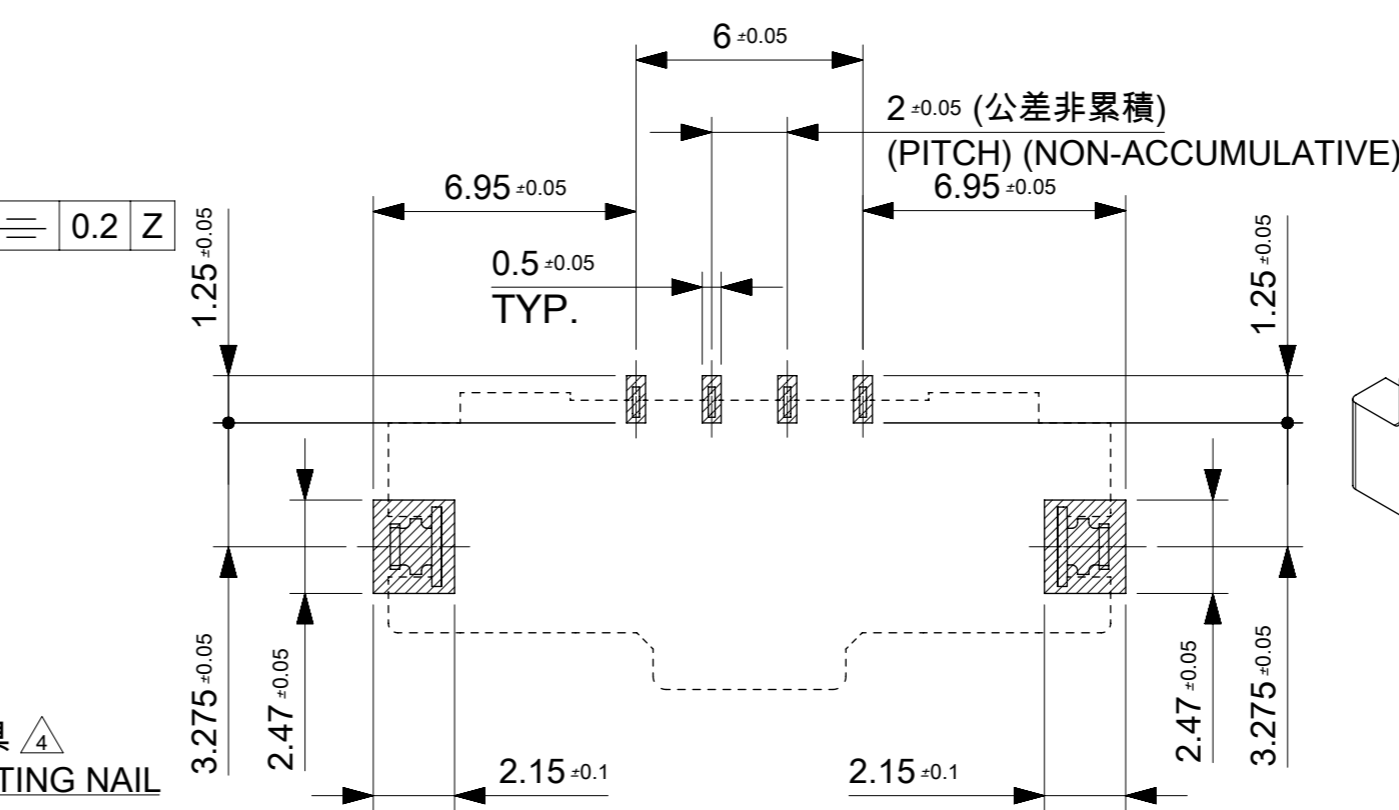


ハウジング
HOUSING

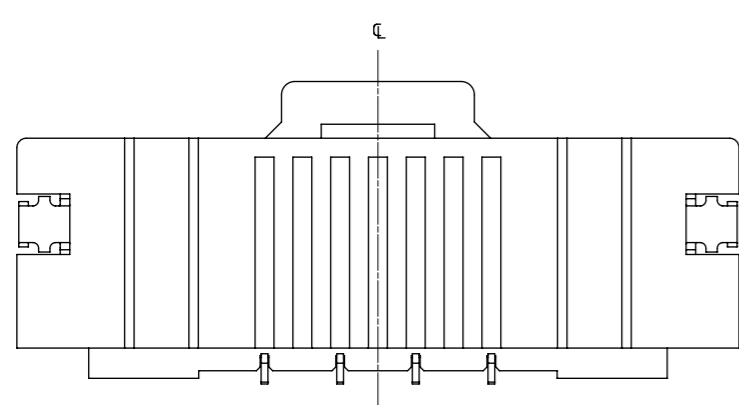
金具
FITTING NAIL



ターミナル
TERMINAL

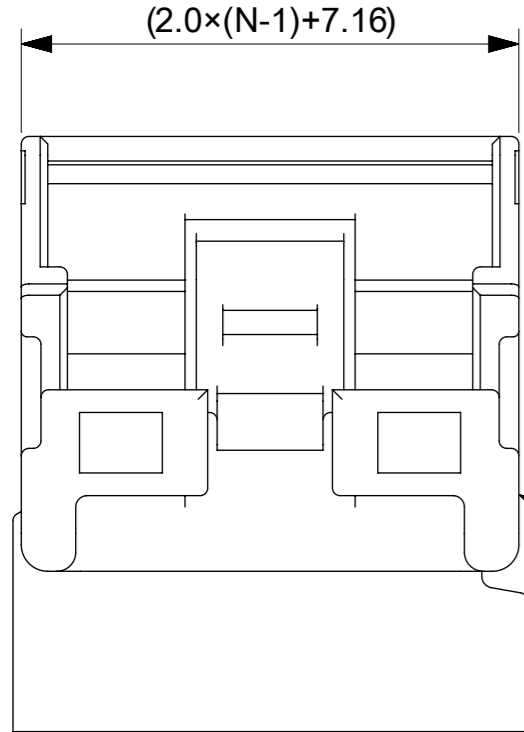


13.21	15.3	6.0	19.1	5051470490	4
11.21	13.3	4.0	17.1	5051470390	3
9.21	11.3	2.0	15.1	5051470290	2
D	C	B	A	EMBOSSED PACKAGE	極数
オーダー番号 ORDER NO.					CIRCUITS
CONNECTOR SERIES NO. 505147**11					



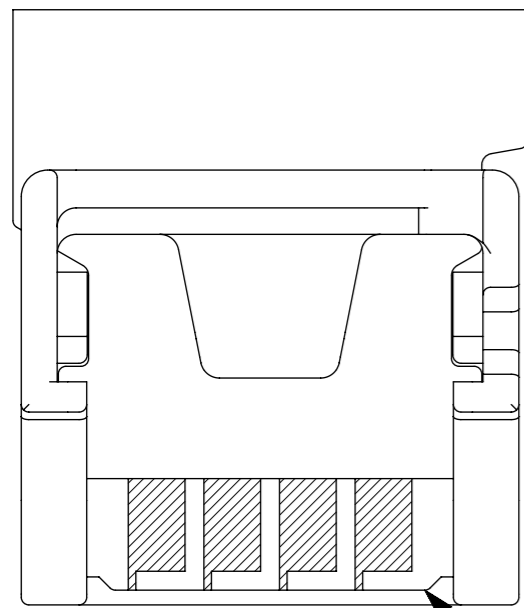
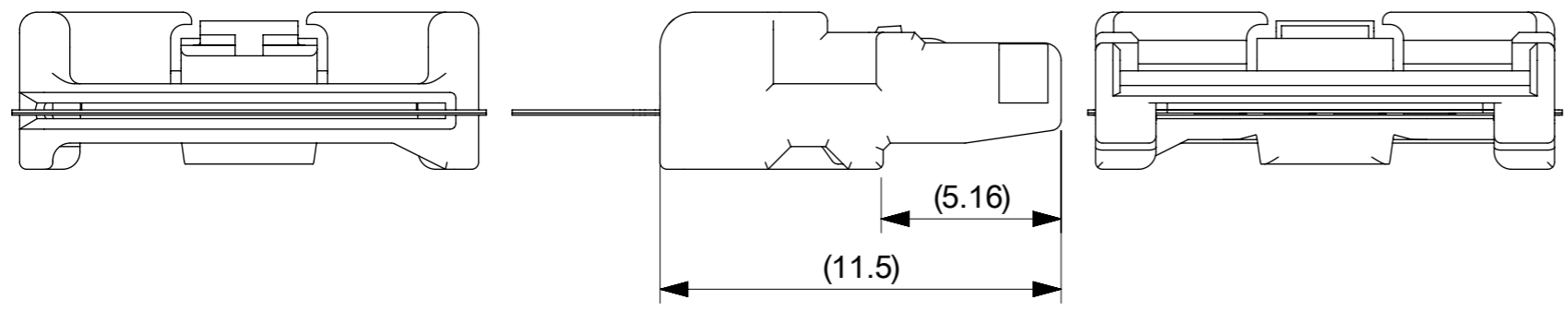
THIS DRAWING CONTAINS INFORMATION THAT IS PROPRIETARY TO MOLEX ELECTRONIC TECHNOLOGIES, LLC AND SHOULD NOT BE USED WITHOUT WRITTEN PERMISSION

EC NO: 104966 DRWN: AISHII CHK'D: TKUSUHARA01 APPR: TKUSUHARA01	2016/05/10	2016/05/13	2016/05/13	GENERAL TOLERANCES (UNLESS SPECIFIED) ANGULAR TOL ± 3.0 ° 4 PLACES ± 0.2 3 PLACES ± 0.2 2 PLACES ± 0.2 1 PLACE ± 0.2 0 PLACES ± 0.2 DRAFT WHERE APPLICABLE MUST REMAIN WITHIN DIMENSIONS	DIMENSION UNITS	SCALE			
					mm	5:1			
					DRWN BY	DATE		AISHII	2015/10/21
					CHK'D BY	DATE		KTAKAHASHI	2015/12/03
					APPR BY	DATE	YNOGAWA	2015/12/04	
					DRAWING SIZE	THIRD ANGLE PROJECTION			
					A3				
PRODUCT CUSTOMER DRAWING			SERIES	MATERIAL NUMBER	CUSTOMER				
			505147	SEE CHART	GENERAL				
DOCUMENT NUMBER			DOC TYPE	DOC PART	SHEET NUMBER				
5051471000			PSD	000	1 OF 3				



参考 プラグコネクタ
REFERENCE PLUG CONNECTOR

△5 プラグジャケット
PLUG JACKET



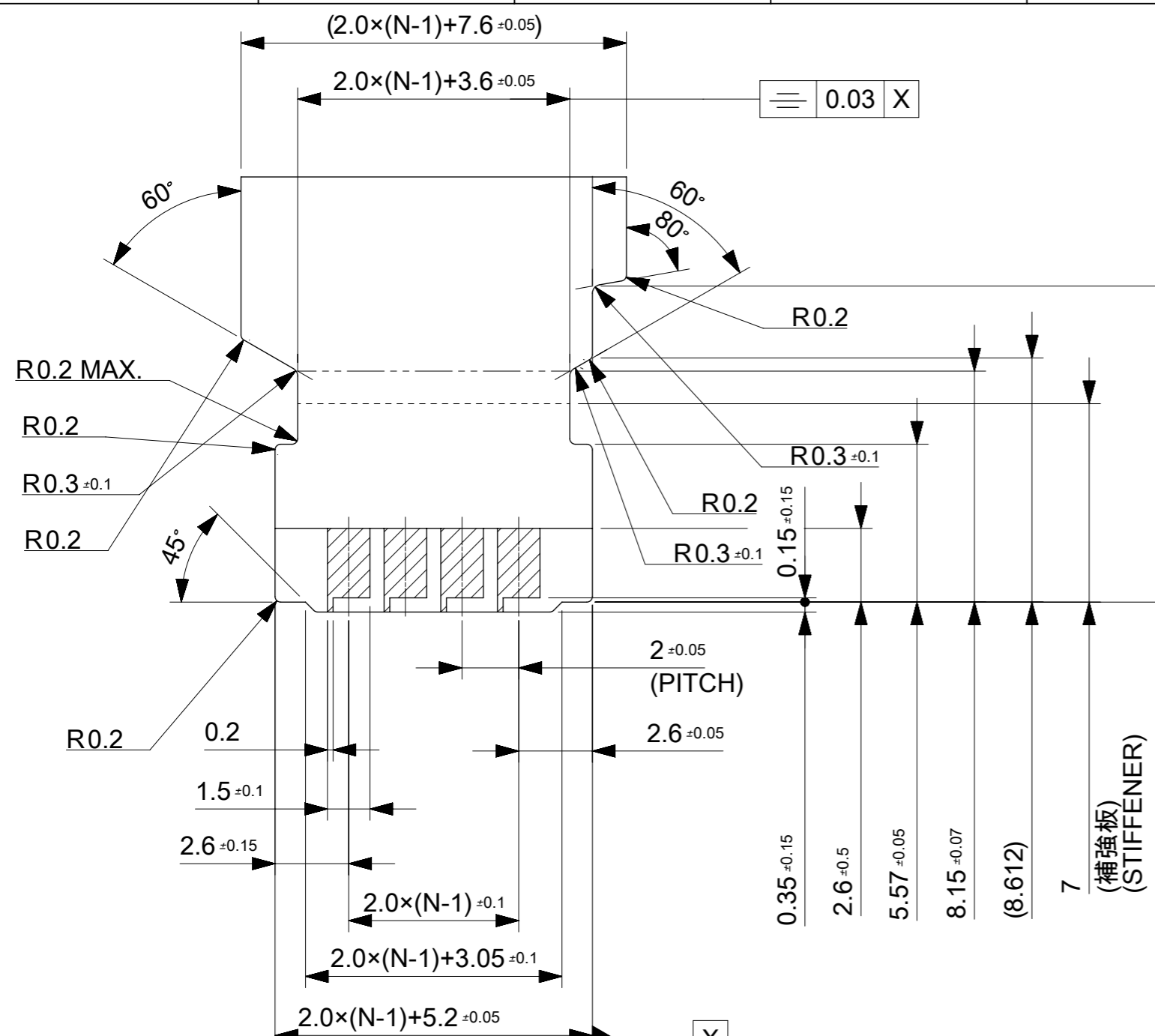
FPC

注記 NOTES

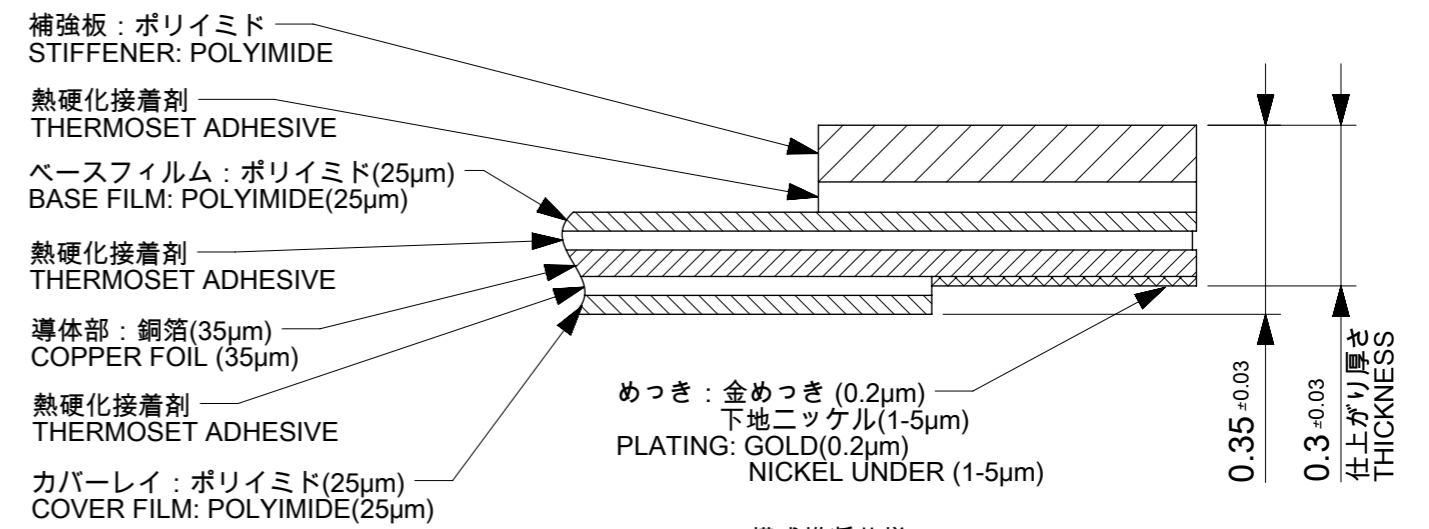
1. 使用材料 MATERIAL
ハウジング : 液晶ポリマー(LCP), ガラス充填
UL94V-0, 色 ; 黒色
HOUSING : LIQUID CRYSTAL POLYMER(LCP), GLASS FILLED
UL94V-0, COLOR; BLACK
ターミナル : 銅合金(t=0.18)
TERMINAL : COPPER ALLOY(t=0.18)
金具 : 銅合金(t=0.25)
FITTING NAIL : COPPER ALLOY(t=0.25)
2. めっき仕様 PLATING
ターミナル TERMINAL
コンタクト部 : 部分金めっき(0.1μm以上)
テール部 : 部分金めっき
下地 : ニッケルめっき(1.0μm以上)
CONTACT AREA : SEPARATED GOLD PLATING
(0.1 MICROMETER MINIMUM)
SOLDER TAIL AREA : SEPARATED GOLD PLATING
UNDERPLATE : NICKEL OVERALL
(1.0 MICROMETER MINIMUM)
金具 FITTING NAIL
錫めっき(1.0μm以上)
下地 : ニッケルめっき(1.0μm以上)
TIN PLATING (0.1 MICROMETER MINIMUM)
UNDERPLATE : NICKEL OVERALL
(1.0 MICROMETER MINIMUM)
- △3 N = 偶数に適用 (N : 極数)
APPLY FOR N=EVEN(N:CIRCUIT)
- △4 パターン剥離止め用金具
FITTING NAIL FOR PREVENTION OF PEELING OF P.C.B PATTERN.
- △5 適合プラグジャケット : 505148**08
製品詳細寸法は5051480000を参照下さい。
APPLICABLE PLUG JACKET:505148**08.
DETAILED DIMENSION, SEE 5051480000.
6. テールと金具を併せた平坦度は0.1mm以下とする。
TAILS AND NAILS COPLANARITY TO BE 0.1mm MAXIMUM.
7. ELV及びRoHS適合品
ELV AND RoHS COMPLIANT.

THIS DRAWING CONTAINS INFORMATION THAT IS PROPRIETARY TO MOLEX ELECTRONIC TECHNOLOGIES, LLC AND SHOULD NOT BE USED WITHOUT WRITTEN PERMISSION

EC NO: 104966 DRWN: AISHII CHK'D: TKUSUHARA01 APPR: TKUSUHARA01	2016/05/10	2016/05/13	2016/05/13	GENERAL TOLERANCES (UNLESS SPECIFIED) ANGULAR TOL ± 3.0 ° 4 PLACES ± 0.2 3 PLACES ± 0.2 2 PLACES ± 0.2 1 PLACE ± 0.2 0 PLACES ± 0.2 DRAFT WHERE APPLICABLE MUST REMAIN WITHIN DIMENSIONS	DIMENSION UNITS	SCALE						
	mm		5:1									
	DRWN BY	DATE			AISHII		2015/10/21		2.0 FPC TO BOARD CONN REC. HSG ASSY(RA)			
	CHK'D BY	DATE			KTAKAHASHI		2015/12/03					
APPR BY	DATE			YNOGAWA		2015/12/04		PRODUCT CUSTOMER DRAWING				
DRAWING SIZE	THIRD ANGLE PROJECTION			A3				SERIES	MATERIAL NUMBER	CUSTOMER		
505147		SEE CHART		GENERAL								
DOCUMENT NUMBER				DOC TYPE	DOC PART	SHEET NUMBER		5051471000				
PSD				000		2 OF 3						



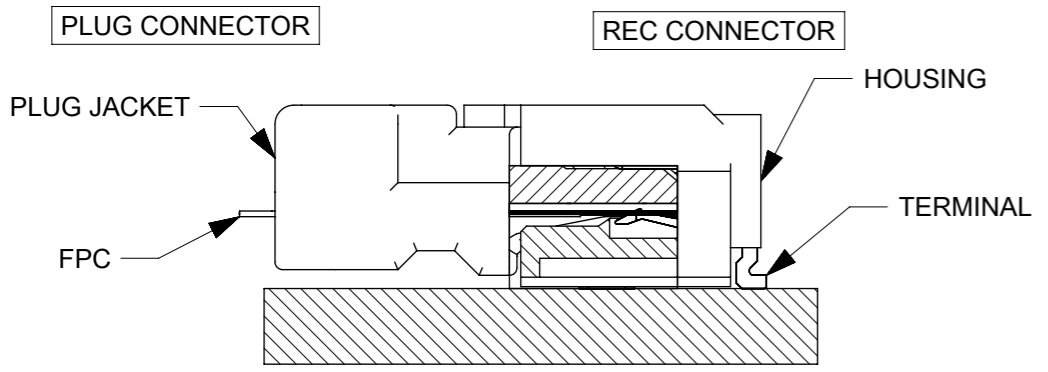
参考FPC寸法
 REFERENCE FPC DIMENSION
 (仕上がり厚さ : 接点部0.3±0.03)
 (THICKNESS : CONTACT AREA 0.3 +/-0.03)



FPC構成推奨仕様
 RECOMMENDED STRUCTURE OF FPC

FPCについて:
 打ち抜き方向は導体側から補強板側を推奨します。
 導体部については軟銅箔35μmまたは50μmを推奨します
 補強フィルム材質はポリイミドを推奨します。ベースフィルムは25μmを推奨します。
 接着剤は熱硬化接着剤を推奨します。
 接点部に異物が無い様お願い致します。

NOTES OF FPC :
 RECOMMENDED PUNCHER DIRECTION : FROM CONDUCTOR SIDE TOWARDS STIFFENER SIDE.
 RECOMMENDED CONDUCTOR SPEC :
 THICKNESS OF SOFT COPPER FOIL : 35 MICROMETER OR 50 MICROMETER.
 RECOMMENDED MATERIAL/THICKNESS.
 STIFFENER : POLYIMIDE
 BASE FILM THICKNESS : 25μm
 ADHESIVE : THERMOSET ADHESIVE
 THE CONTACT PAD AREA SHOULD BE WELL INSPECTED AND AVOID ALL FOREIGN CONTAMINATIONS.



嵌合断面
 MATED CONNECTOR SECTION

THIS DRAWING CONTAINS INFORMATION THAT IS PROPRIETARY TO MOLEX ELECTRONIC TECHNOLOGIES, LLC AND SHOULD NOT BE USED WITHOUT WRITTEN PERMISSION									
EC NO: 104966 DRWN: AISHII CHK'D: TKUSUHARA01 REV APPR: TKUSUHARA01	2016/05/10 2016/05/13 2016/05/13		GENERAL TOLERANCES (UNLESS SPECIFIED)		DIMENSION UNITS	SCALE			
			ANGULAR TOL ± 3.0 °		mm	5:1			
	4 PLACES ± 0.2		3 PLACES ± 0.2		DRWN BY	DATE	2.0 FPC TO BOARD CONN REC. HSG ASSY(RA)		
	3 PLACES ± 0.2		2 PLACES ± 0.2		AISHII	2015/10/21			
	2 PLACES ± 0.2		1 PLACE ± 0.2		CHK'D BY	DATE	PRODUCT CUSTOMER DRAWING		
1 PLACE ± 0.2		0 PLACES ± 0.2		KTAKAHASHI	2015/12/03				
DRAFT WHERE APPLICABLE MUST REMAIN WITHIN DIMENSIONS				APPR BY	DATE	SERIES: 505147 MATERIAL NUMBER: SEE CHART CUSTOMER: GENERAL			
				YNOGAWA	2015/12/04				
				DRAWING SIZE	THIRD ANGLE PROJECTION	DOCUMENT NUMBER: 5051471000 DOC TYPE: PSD DOC PART: 000 SHEET NUMBER: 3 OF 3			
				A3					