

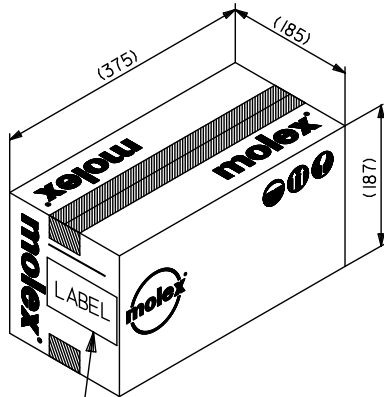
1. 製品名称／PRODUCT NAME : 2.0 FPC TO BOARD CONN PLUG JACKET
 製品番号／PART NUMBER : 5 0 5 1 4 8 * * 0 8
 (* * は極数を示す)
 (* * IS CIRCUITS SIZE)

2. 標準梱包数／STANDARD PACKAGING QUANTITY

| 極 数 CKT. SIZE | ポリ袋 POLY BAG | 内装カートン PRIMARY CARTON | | 外装カートン SHIPPING CARTON |
|---------------------|-----------------------------------|--------------------------------|-----------------|--|
| | 1袋中の製品数 QUANTITY IN ONE BAG | ポリ袋の数 NUMBER OF POLY BAG | 製品数 QUANTITY | 製品数(内装カートン×2) QUANTITY (PRIMARY CARTON X2) |
| 2 | 1,000 | 15 | 15,000 | 30,000 |
| 3 | 1,000 | 12 | 12,000 | 24,000 |
| 4 | 1,000 | 12 | 12,000 | 24,000 |

| | | | | | | | |
|-------------------------------|--|--------|---|---------------------------|--------------------------|---------------------|--|
| REV. | A | | | | | | |
| SHEET | 1~2 | | | | | | |
| REVISE ON PC ONLY | | TITLE: | | | | | |
| A | RELEASED 101537 2015/10/27 T.NAKAGAWA | | 5 0 5 1 4 8 梱包仕様書 SALES PACKAGING SPEC. FOR 505148 | | | | |
| | THIS DOCUMENT CONTAINS INFORMATION THAT IS PROPRIETARY TO MOLEX INC. AND SHOULD NOT BE USED WITHOUT WRITTEN PERMISSION | | | | | | |
| REV. | DESCRIPTION | | | | | | |
| DESIGN CONTROL J | | STATUS | WRITTEN BY: T.NAKAGAWA01 | CHECKED BY: T.HARUYAMA | APPROVED BY: H.HIRATA | DATE: 2015/10/27 | |
| DOCUMENT NUMBER 5051489200 | | | DOC. TYPE PS | DOC. PART 200 | CUSTOMER GENERAL | SHEET 1 OF 2 | |

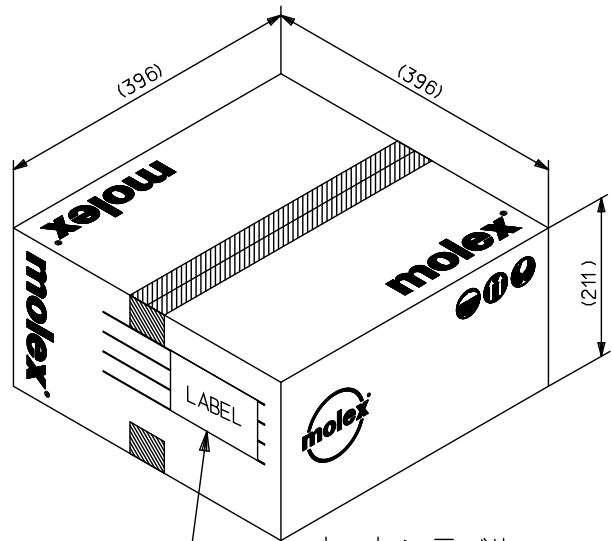
3. カートン外形参考寸法 / CARTON OUTER DIMENSIONS (REFERENCE PURPOSE ONLY) 単位 / UNIT: mm



カートンラベル
CARTON LABEL

(製品型番, 数量, ロットNO. 表示)
INDICATION OF PART No., QUANTITY, LOT No.

内装カートン
PRIMARY CARTON



カートンラベル
CARTON LABEL

(製品型番, 数量, ロットNO. 表示)
INDICATION OF PART No., QUANTITY, LOT No.

外装カートン
SHIPPING CARTON

| | | | | | |
|-------------------------------|------------------|--|--|---------------------|-----------------|
| REVISE ON PC ONLY | | TITLE: | | | |
| A | SEE SHEET 1 OF 2 | 505148 梱包仕様書 SALES PACKAGING SPEC. FOR 505148 | | | |
| | REV. | DESCRIPTION | THIS DOCUMENT CONTAINS INFORMATION THAT IS PROPRIETARY TO MOLEX INC. AND SHOULD NOT BE USED WITHOUT WRITTEN PERMISSION | | |
| DOCUMENT NUMBER 5051489200 | | DOC. TYPE PS | DOC. PART 200 | CUSTOMER GENERAL | SHEET 2 OF 2 |