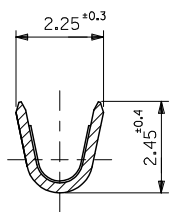
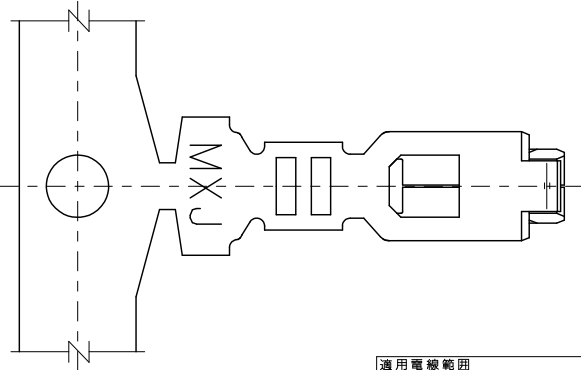
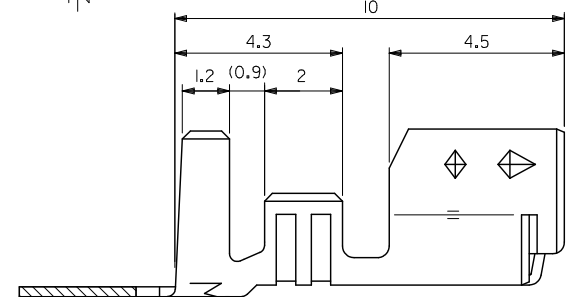
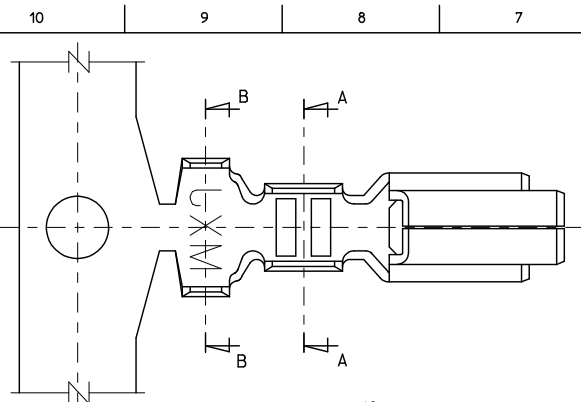


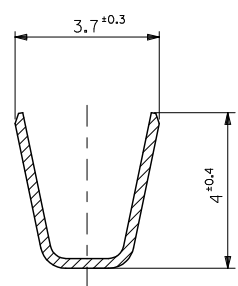
注記 NOTES
 1. 適合ハウジング : 51144-***00
 APPLICABLE HOUSING : 51144-***00

リン青銅, 鍍メッキ PHOS. BRO. PRE-TINNED (t=0.254)	50539-8100	バラ状 LOOSE
	50539-8000	連鎖状 CHAIN
黄銅, 鍍メッキ BRASS PRE-TINNED (t=0.254)	50539-9001	連鎖状 CHAIN
材 料 MATERIAL	MATERIAL NO.	端子形状 FORM
	MODEL NO.	50539-****

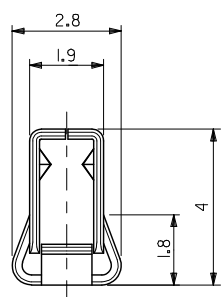
REVISED EC NO: J2009-1311 DRAWN: KAKURAA 2008/12/16 CHKD: HARUYAMA 2008/12/16 APPR: NIKITA 2009/01/16	GENERAL TOLERANCES (UNLESS SPECIFIED)		DIMENSION STYLE MM ONLY		SCALE ---	DESIGN UNITS METRIC	THIRD ANGLE PROJECTION
	10 UNDER	±0.2	DRAWN BY TNI ITSU	DATE '94/11/17	TITLE 3.96 WIRE TO BOARD CONN CRIMP RECEPTACLE		
	10 OVER 30 UNDER	±0.25	CHECKED BY SKUNISHI	DATE '95/07/28	MOLEX INCORPORATED		
	30 OVER	±0.3	APPROVED BY MFUKUSHIMA	DATE '95/07/28	DOCUMENT NO. SD-50539-001		
	ANGULAR ±3°	DRAFT WHERE APPLICABLE MUST REMAIN WITHIN DIMENSIONS		MATERIAL NO. SEE TABLE	SHEET NO. 1 OF 1		
		THIS DRAWING CONTAINS INFORMATION THAT IS PROPRIETARY TO MOLEX INCORPORATED AND SHOULD NOT BE USED WITHOUT WRITTEN PERMISSION					



SECT.A-A



SECT.B-B



注記 NOTES

- I. 適合ハウジング: 51129-***0
51144-***0
APPLICABLE HOUSING : 51129-***0
51144-***0

リン青銅, 錫メッキ PHOS. BRO. PRE-TINNED (t=0.254)	50539-8100	ハンダ LOOSE 連鎖状 CHAIN
	50539-8000	
黄銅, 錫メッキ BRASS PRE-TINNED (t=0.254)	50539-9001	連鎖状 CHAIN
材 料 MATERIAL	MATERIAL NO.	端子形状 FORM
	MODEL NO. 50539-****	

適用電線範囲
WIRE RANGE AWC# 18 ~ #24
被覆外径
INS. RANGE φ 1.4 ~ φ 3.0

REVISED EC NO: J2009-1311 2008/12/16 DRAWN: KANAKURAA 2008/12/16 CHKD: HARUYAMA 2009/01/16 APPR: NIKITA 2009/01/16 DESCRIPTION REV	GENERAL TOLERANCES (UNLESS SPECIFIED)		DIMENSION STYLE MM ONLY		SCALE ---	DESIGN UNITS METRIC	THIRD ANGLE PROJECTION
	10 UNDER	±0.2	DRAWN BY T. NIITSU	DATE '94/11/17	TITLE 3.96 W/B CONN CRIMP REC		
	10 OVER 30 UNDER	±0.25	CHECKED BY K. T	DATE '95/7/28	MOLEX INCORPORATED		
	30 OVER	±0.30	APPROVED BY S. FUKUSHIMA	DATE '95/7/28	DOCUMENT NO. SD-50539-002	SHEET NO. 1 OF 1	
ANGULAR ±3 °		DRAFT WHERE APPLICABLE MUST REMAIN WITHIN DIMENSIONS		SEE TABLE		THIS DRAWING CONTAINS INFORMATION THAT IS PROPRIETARY TO MOLEX INCORPORATED AND SHOULD NOT BE USED WITHOUT WRITTEN PERMISSION	