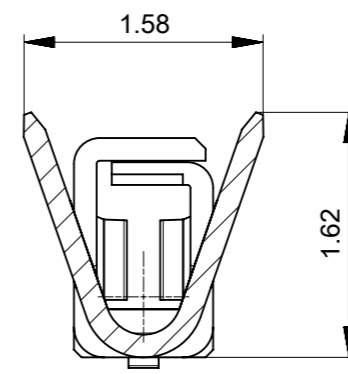
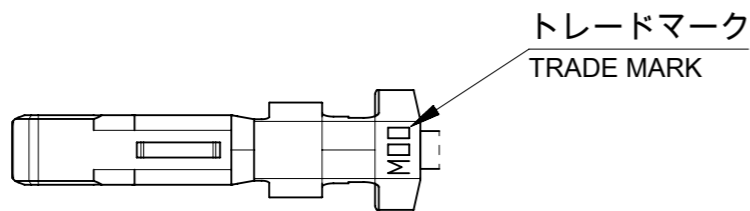
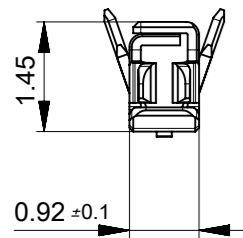
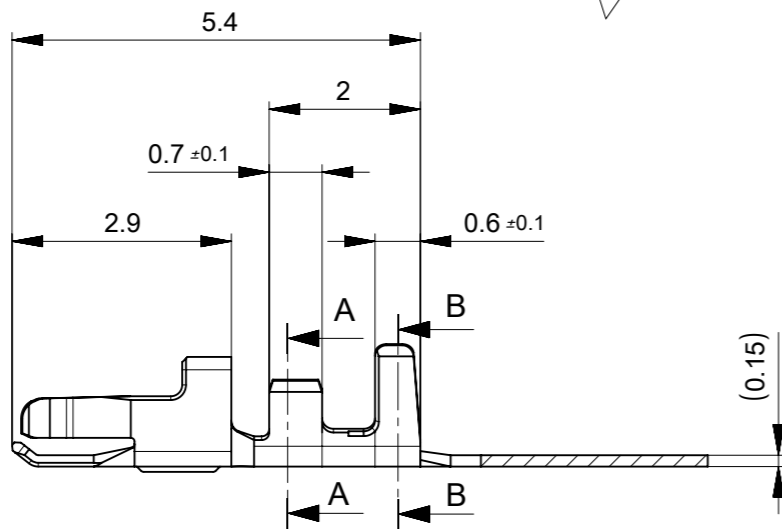
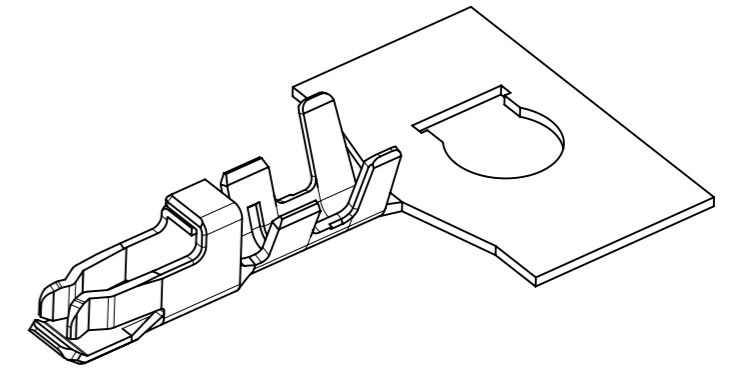


SECTION A-A



SECTION B-B



注記 NOTE

1. 材料及び仕上げ (めっき仕様) : TABLE1参照
MATERIAL AND FINISHED(PLATING SPECIFICATION) : SEE TABLE 1
2. 適合ハウジング : 505565****, 505432****, 204532****, 204523****
APPLICABLE HOUSING :505565****, 505432****, 204532****, 204523****
3. 本製品は錫めっき品である。金めっき品は5054311100-SD PSD 000をご参照ください。
THIS PRODUCT IS A TIN PLATING. PLEASE REFER TO 5054311100-SD PSD 000 FOR GOLD PLATING.

TABLE 1

材質及び仕上げ (めっき仕様) MATERIAL AND FINISHED (PLATING SPECIFICATION)	
銅合金 COPPER ALLOY	
錫めっき : 0.7MICROMETER MINIMUM PRE-TIN PLATING (HEAT TREATED MATTE TIN)	
DOCUMENT STATUS	P1
RELEASE DATE	2020/04/03 09:34:30

Φ0.78-1.02mm	AWG#26~30 MM ² : 0.049~0.136	リール REEL	連鎖状 CHAIN	5054311000
絶縁被覆外径 INSULATION DIAMETER	適用電線範囲 WIRE RANGE	梱包形態 PACKAGING	端子形状 FORM	発注番号 ORDER NO.

THIS DRAWING CONTAINS INFORMATION THAT IS PROPRIETARY TO MOLEX ELECTRONIC TECHNOLOGIES, LLC AND SHOULD NOT BE USED WITHOUT WRITTEN PERMISSION		CURRENT REV DESC: REVISED		molex		
DIMENSION UNITS	SCALE	EC NO: 635213				
mm	NTS	DRWN: TENAGASE 2020/04/02		PRODUCT CUSTOMER DRAWING		
GENERAL TOLERANCES (UNLESS SPECIFIED)		CHK'D: SAKIYAMA 2020/04/03		DOCUMENT NUMBER		
ANGULAR TOL	± 3.0°	APPR: KOMURAKAMI 2020/04/03		5054311000-SD		
4 PLACES	± 0.2	INITIAL REVISION:		DOC TYPE	DOC PART	REVISION
3 PLACES	± 0.2	DRWN: RWATANABE01 2017/09/14		PSD	000	E
2 PLACES	± 0.2	APPR: TKANEKO 2017/09/26		SHEET NUMBER		
1 PLACE	± 0.2	DRAFT WHERE APPLICABLE MUST REMAIN WITHIN DIMENSIONS		SEE CHART	GENERAL	
0 PLACES	± 0.2	THIRD ANGLE PROJECTION	DRAWING	SERIES	MATERIAL NUMBER	CUSTOMER
			A3-SIZE	505431	GENERAL	1 OF 2

適用製品及び各種仕様書


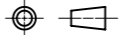
APPLICABLE PRODUCTS AND VARIOUS SPECIFICATIONS

梱包仕様書 PACKING SPECIFICATION	5054319200 PS 200
--------------------------------	-------------------

列数 NUMBER OF ROWS	SINGLE				
適用ハウジング シリーズ番号 APPLY HOUSING SERIES NUMBER.	505565		204532		
適用嵌合相手 MATE WITH	嵌合タイプ MATING TYPE	VERTICAL	RIGHT ANGLE	VERTICAL	VERTICAL (FOR POTTING)
	シリーズ番号 SERIES NUMBER	505568	505567	204530	205957
ローハロゲン対応 LOW HALOGEN COMPLIANT	NOT COMPLIANT		COMPLIANT		
製品仕様書 PRODUCT SPECIFICATION	5055650000 PS 000		2045320000-PS PS 000	2045320001-PS PS 000	
取扱説明書 APPLICATION SPECIFICATION	AS-505565-001 PS 001				

列数 NUMBER OF ROWS	DUAL				
適用ハウジング シリーズ番号 APPLY HOUSING SERIES NUMBER.	505432		204523		
適用嵌合相手 MATE WITH	嵌合タイプ MATING TYPE	VERTICAL	RIGHT ANGLE	RIGHT ANGLE	VERTICAL (FOR POTTING)
	シリーズ番号 SERIES NUMBER	505433	505448	204519	207760
ローハロゲン対応 LOW HALOGEN COMPLIANT	NOT COMPLIANT		COMPLIANT	COMPLIANT (NATURAL/ BLACK)	NOT COMPLIANT (RED/YELLOW/BLUE)
製品仕様書 PRODUCT SPECIFICATION	5054320000 PS 002		2045230000-PS PS 000	2045230001-PS PS 000	
取扱説明書 APPLICATION SPECIFICATION	AS-505432-001 PS 001				

製品嵌合図は各"適用嵌合相手"図面参照のこと
MATING VIEW : REFER TO EACH "MATE WITH" PART DRAWING.

THIS DRAWING CONTAINS INFORMATION THAT IS PROPRIETARY TO MOLEX ELECTRONIC TECHNOLOGIES, LLC AND SHOULD NOT BE USED WITHOUT WRITTEN PERMISSION									
DIMENSION UNITS	SCALE	CURRENT REV DESC: REVISED							
mm	NTS								
GENERAL TOLERANCES (UNLESS SPECIFIED)		EC NO: 635213			MICRO-LOCK PLUS 1.25 RECEPTACLE CRIMP TERMINAL				
ANGULAR TOL	± 3.0 °	DRWN: TENAGASE 2020/04/02							
4 PLACES	± 0.2	CHK'D: SAKIYAMA 2020/04/03			PRODUCT CUSTOMER DRAWING				
3 PLACES	± 0.2	APPR: KOMURAKAMI 2020/04/03							
2 PLACES	± 0.2	INITIAL REVISION:			DOCUMENT NUMBER 5054311000-SD				
1 PLACE	± 0.2	DRWN: RWATANABE01 2017/09/14							
0 PLACES	± 0.2	APPR: TKANEKO 2017/09/26			DOC TYPE PSD				
DRAFT WHERE APPLICABLE MUST REMAIN WITHIN DIMENSIONS		THIRD ANGLE PROJECTION	DRAWING	SERIES					
			A3-SIZE	505431	SEE SHEET 1	GENERAL	000	E	2 OF 2