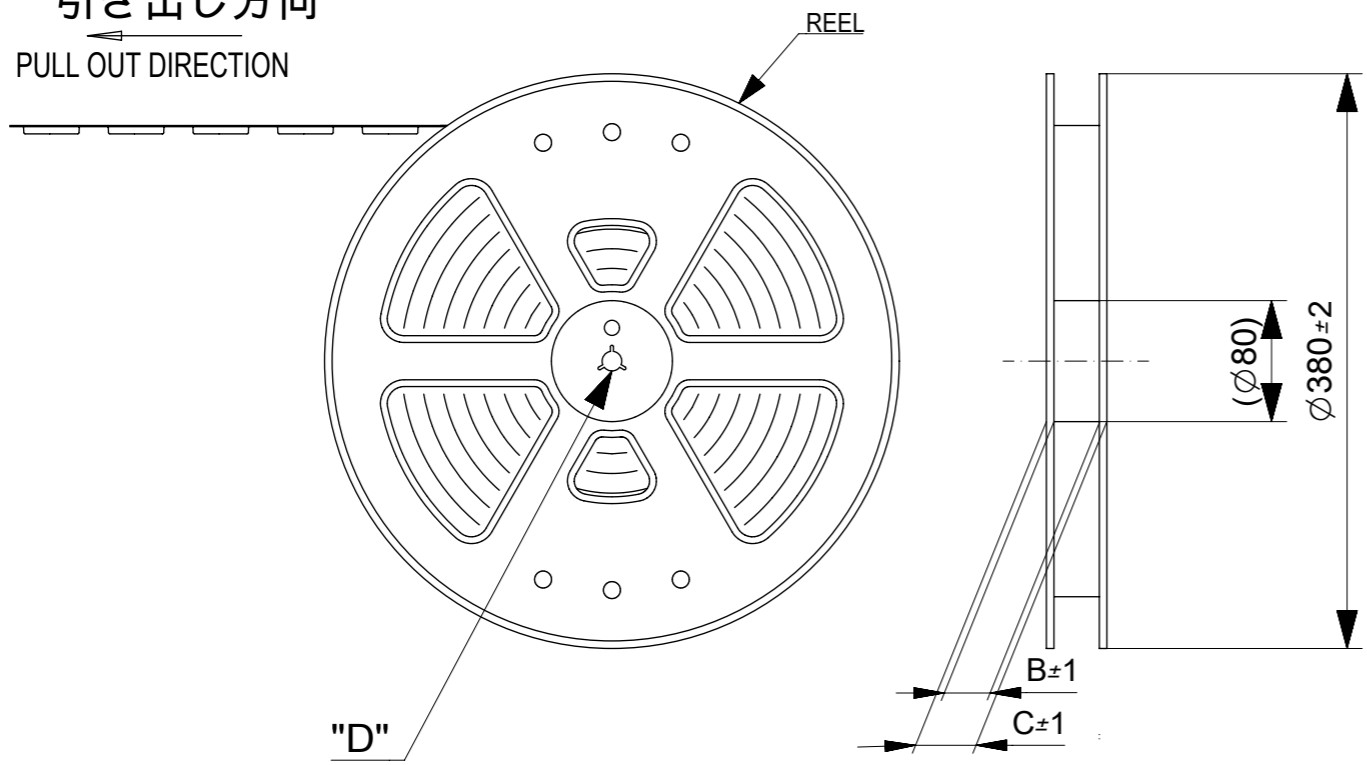
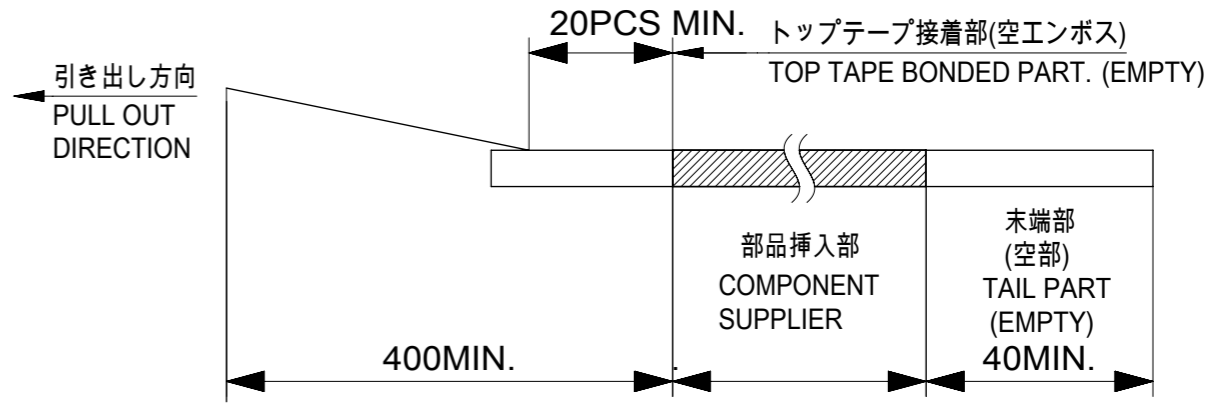


引き出し方向
PULL OUT DIRECTION

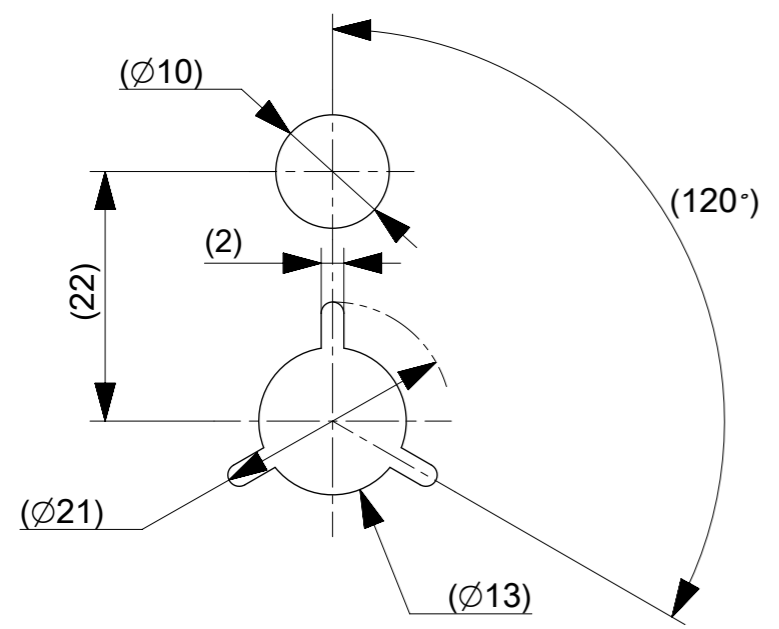


注記 NOTES

- 製品詳細寸法については製品単体図面を参照下さい。
RE DETAILED DIMENSION, SEE PRODUCT DRAWING.
- 梱包数量：7000個 / リール
NUMBER OF CONNECTORS : 7000 PCS/REEL.
- リードテープ長さ LEAD TAPE LENGTH.



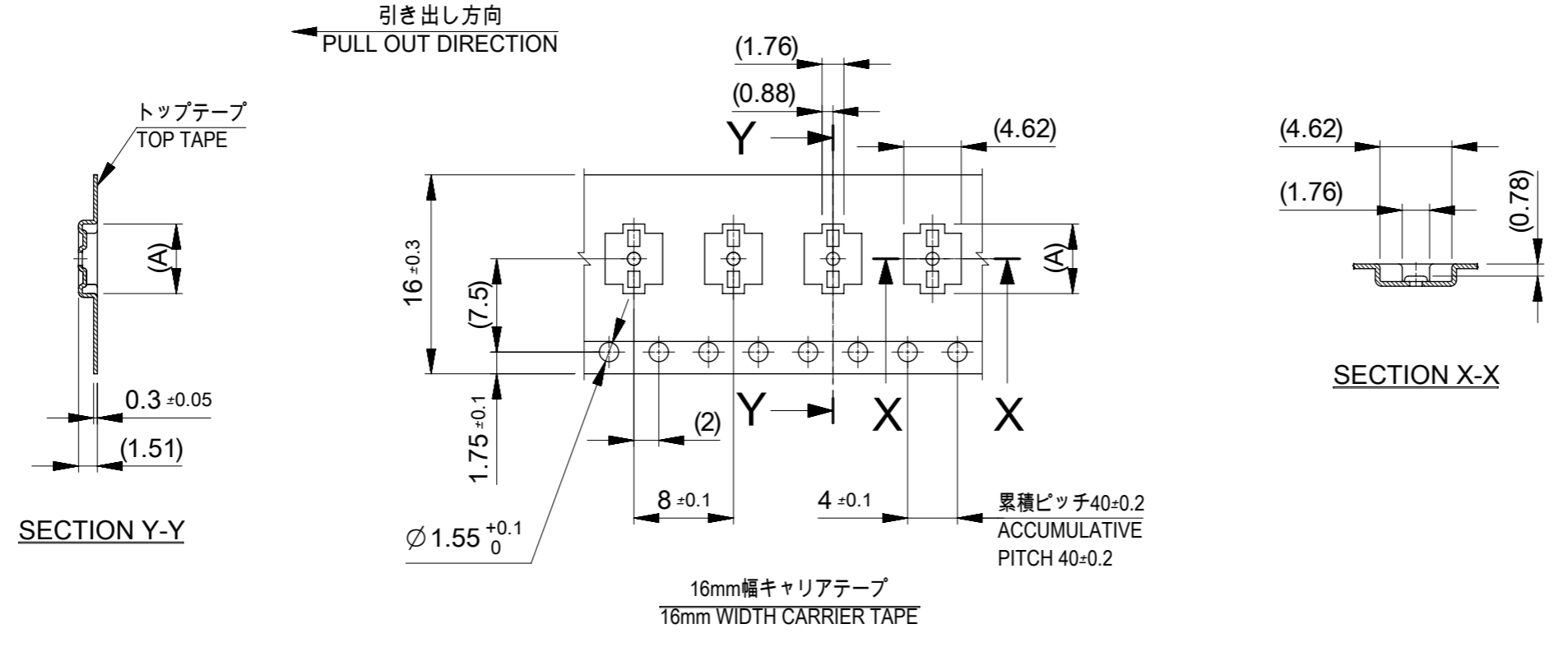
- カバーテープの剥離強度については、IEC60286-3に準拠。
COVER TAPE PEEL FORCE IS DEFINED BY IEC60286-3.
- 材料 MATERIAL
キャリアテープ(CARRIER TAPE) : ポリスチレン(POLYSTYRENE)
トップテープ(TOP TAPE) : PET, OTHER
リール(REEL) : ポリスチレン(PS) <リサイクル材を含む>
POLYSTYRENE(PS) < RECYCLE MATERIAL CONTAINED >



DETAIL "D"

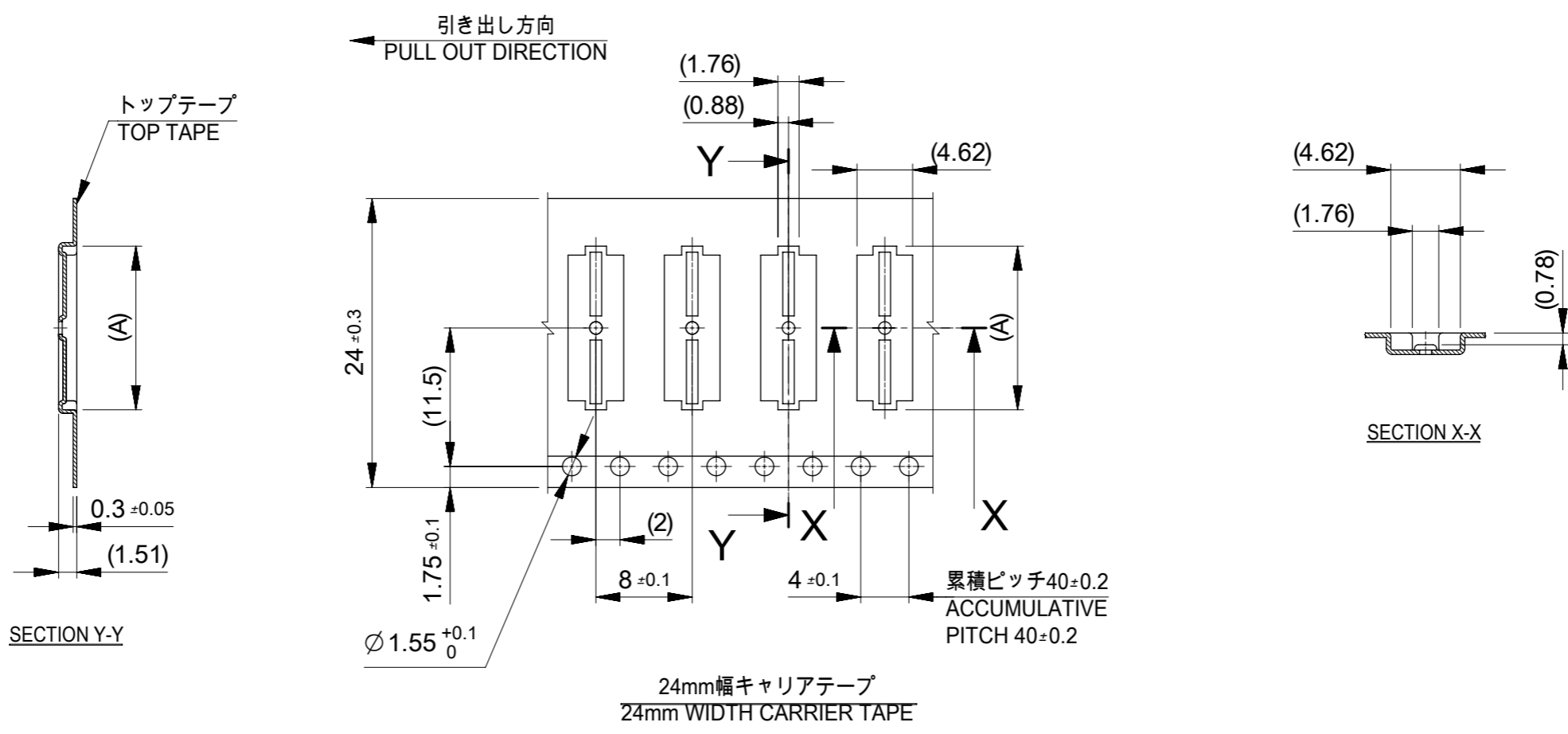
MODEL No. 505551-**20

THIS DRAWING CONTAINS INFORMATION THAT IS PROPRIETARY TO MOLEX ELECTRONIC TECHNOLOGIES, LLC AND SHOULD NOT BE USED WITHOUT WRITTEN PERMISSION		CURRENT REV DESC:		molex	
DIMENSION UNITS	SCALE				
mm	NTS			0.4 BB CONN. HGT=0.8 PLUG ASSY	
GENERAL TOLERANCES (UNLESS SPECIFIED)		EC NO: 170751		PRODUCT CUSTOMER DRAWING	
ANGULAR TOL	± 3.0 °	DRWN: JFURUKAWA	2018/01/11	DOCUMENT NUMBER	
4 PLACES	± 0.03	CHK'D: YNAITO	2018/01/18	5055510000	
3 PLACES	± 0.03	APPR: TKUSUHARA01	2018/01/18	DOC TYPE	DOC PART
2 PLACES	± 0.05	INITIAL REVISION:		PSD	001
1 PLACE	± 0.1	DRWN: JFURUKAWA	2017/04/06	REVISION	
0 PLACES	± 0.2	APPR: TKUSUHARA01	2017/04/14	C	
DRAFT WHERE APPLICABLE MUST REMAIN WITHIN DIMENSIONS		THIRD ANGLE PROJECTION	DRAWING	SERIES	MATERIAL NUMBER
			A3-SIZE	505551	SEE CHART
				CUSTOMER	SHEET NUMBER
				GENERAL	1 OF 3



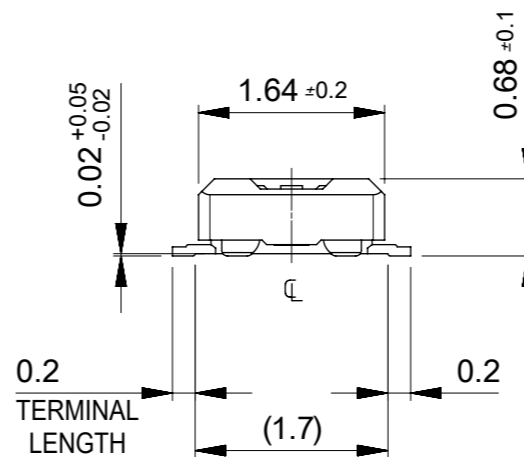
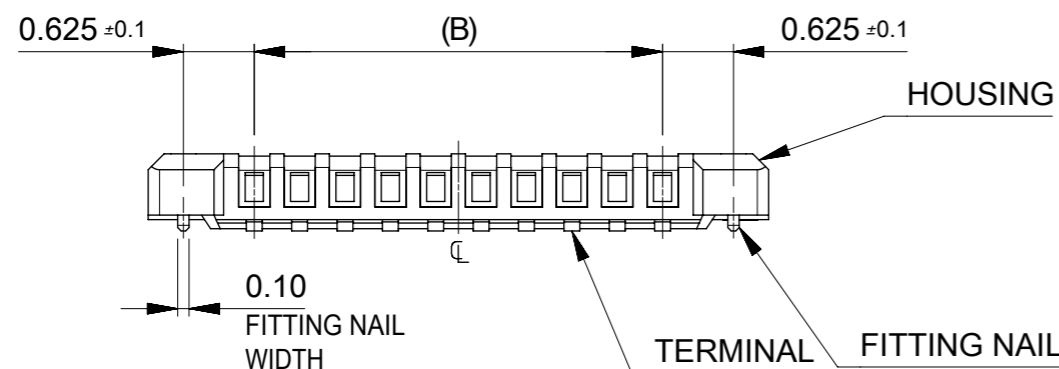
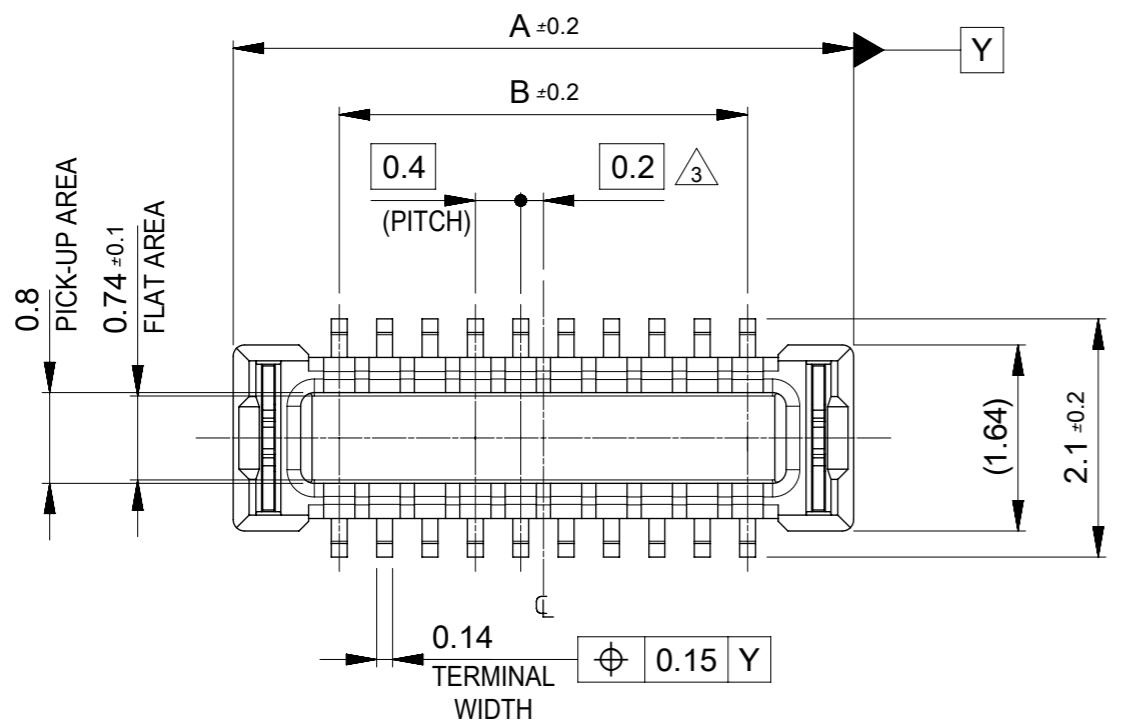
16	21.4	17.4	6.39	5055512420	24
			5.59	5055512020	20
			4.79	5055511620	16
			3.59	5055511020	10
キャリアテープ幅 CARRIER TAPE WIDTH		C	B	(A)	MATERIAL NO. CKT.
					MODEL NO. 505551-**20

THIS DRAWING CONTAINS INFORMATION THAT IS PROPRIETARY TO MOLEX ELECTRONIC TECHNOLOGIES, LLC AND SHOULD NOT BE USED WITHOUT WRITTEN PERMISSION					
DIMENSION UNITS	SCALE	CURRENT REV DESC:			
mm	NTS	<p>molex</p> <p>0.4 BB CONN. HGT=0.8 PLUG ASSY</p> <p>PRODUCT CUSTOMER DRAWING</p> <p>DOCUMENT NUMBER: 5055510000</p> <p>DOC TYPE: PSD</p> <p>DOC PART: 001</p> <p>REVISION: C</p>			
GENERAL TOLERANCES (UNLESS SPECIFIED)					
ANGULAR TOL	± 3.0 °				
4 PLACES	± 0.03				
3 PLACES	± 0.03				
2 PLACES	± 0.05				
1 PLACE	± 0.1				
0 PLACES	± 0.2				
DRAFT WHERE APPLICABLE MUST REMAIN WITHIN DIMENSIONS		THIRD ANGLE PROJECTION	DRAWING	SERIES	MATERIAL NUMBER
			A3-SIZE	505551	SEE CHART
		CUSTOMER	GENERAL		
		SHEET NUMBER: 2 OF 3			



24	29.4	25.4	11.59	5055515020	50
			9.59	5055514020	40
			8.39	5055513420	34
			7.59	5055513020	30
キャリアテープ幅 CARRIER TAPE WIDTH			C	B	(A)
				MATERIAL NO.	CKT.
				MODEL NO.	505551-**20

THIS DRAWING CONTAINS INFORMATION THAT IS PROPRIETARY TO MOLEX ELECTRONIC TECHNOLOGIES, LLC AND SHOULD NOT BE USED WITHOUT WRITTEN PERMISSION		CURRENT REV DESC:		molex		
DIMENSION UNITS	SCALE					
mm	NTS			0.4 BB CONN. HGT=0.8 PLUG ASSY		
GENERAL TOLERANCES (UNLESS SPECIFIED)				PRODUCT CUSTOMER DRAWING		
ANGULAR TOL	± 3.0 °	EC NO: 170751		DOCUMENT NUMBER		
4 PLACES	± 0.03	DRWN: JFURUKAWA 2018/01/11		5055510000		
3 PLACES	± 0.03	CHK'D: YNAITO 2018/01/18		DOC TYPE	DOC PART	REVISION
2 PLACES	± 0.05	APPR: TKUSUHARA01 2018/01/18		PSD	001	C
1 PLACE	± 0.1	INITIAL REVISION:		MATERIAL NUMBER		
0 PLACES	± 0.2	DRWN: JFURUKAWA 2017/04/06		CUSTOMER		
DRAFT WHERE APPLICABLE MUST REMAIN WITHIN DIMENSIONS		THIRD ANGLE PROJECTION	DRAWING	SERIES	SHEET NUMBER	
			A3-SIZE	505551	SEE CHART	GENERAL
						3 OF 3



注記 NOTES

1. 使用材料 MATERIAL

ハウジング:液晶ポリマー(LCP) UL94V-0(黒)
 HOUSING : LIQUID CRYSTAL POLYMER UL94V-0 (COLOR : BLACK)
 ターミナル : 銅合金
 TERMINAL : COPPER ALLOY
 金具 : 銅合金
 FITTING NAIL : COPPER ALLOY

2. メッキ仕様 PLATING

ターミナル TERMINAL

金メッキ
 GOLD
 下地メッキ : ニッケルメッキ
 UNDER PLATING : NICKEL
 ※コンタクト部とテール部はニッケルメッキによって分断されている金メッキです。
 DIVIDE INTO PARTS THE GOLD PLATING OF THE CONTACT AND THE TAIL PART BY THE NICKEL PLATING.

金具 FITTING NAIL

錫メッキ
 Tin PLATING
 下地メッキ : ニッケルメッキ
 UNDER PLATING : NICKEL

△3. (全極数/2)=偶数の場合に適用。
 APPLY FOR (CIRCUIT/2)=EVEN.

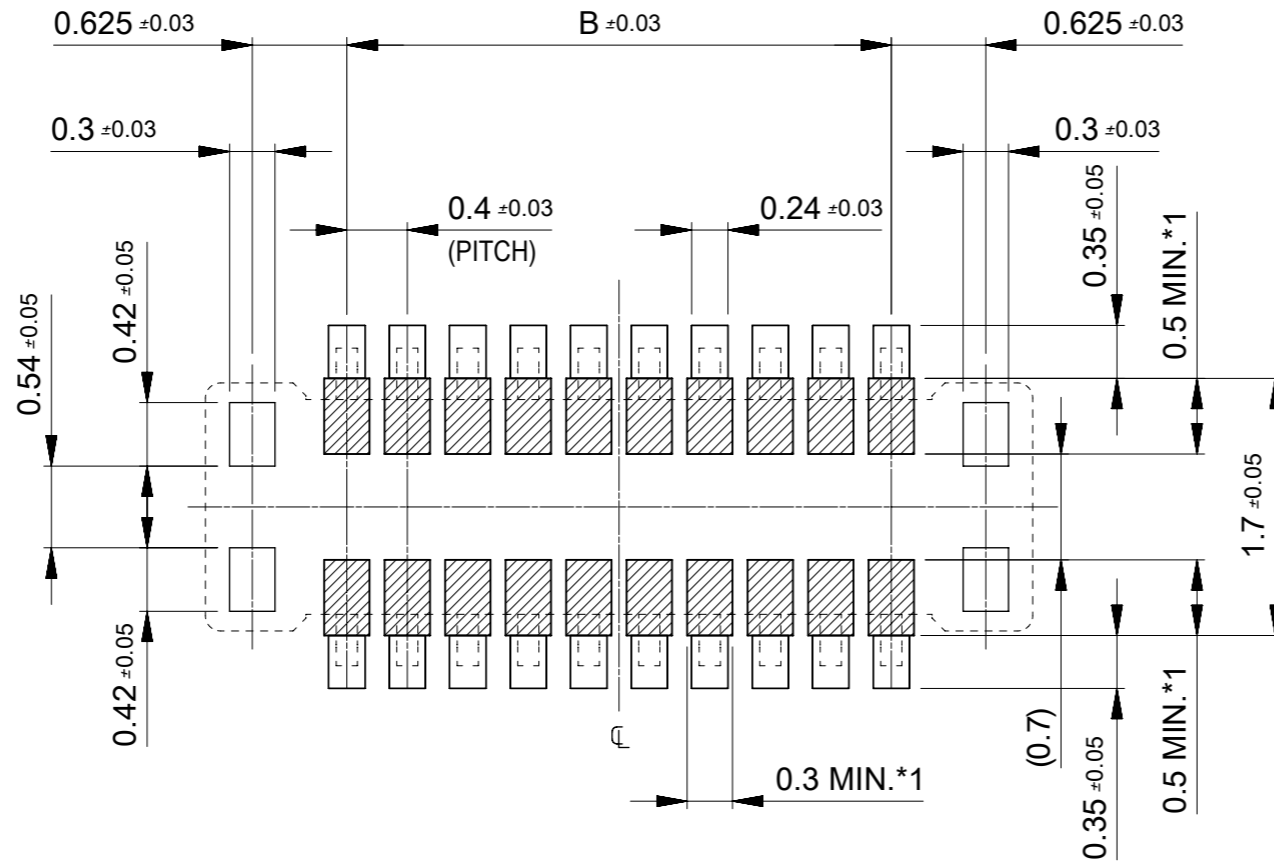
4. 嵌合相手 : 505550 シリーズ
 MATE WITH : 505550 SERIES.

5. テール及び金具の平坦度は、0.08以下。
 TAIL AND FITTING NAIL COPLANARITY TO BE 0.08 MAXIMUM.

6. ELV and RoHS COMPLIANT

9.6	11.47	5055515020	50
7.6	9.47	5055514020	40
6.4	8.27	5055513420	34
5.6	7.47	5055513020	30
4.4	6.27	5055512420	24
3.6	5.47	5055512020	20
2.8	4.67	5055511620	16
1.6	3.47	5055511020	10
B	A	EMBOSSED PACKAGE	極数
		オーダー番号 ORDER No.	CIRCUITS
		CONNECTOR SERIES No. : 505551	

THIS DRAWING CONTAINS INFORMATION THAT IS PROPRIETARY TO MOLEX ELECTRONIC TECHNOLOGIES, LLC AND SHOULD NOT BE USED WITHOUT WRITTEN PERMISSION		CURRENT REV DESC:		molex	
DIMENSION UNITS	SCALE	EC NO: 170751			
mm	15:1	DRWN: JFURUKAWA 2018/01/11		0.4 BB CONN. HGT=0.8 W=2.5 PLUG ASSY	
GENERAL TOLERANCES (UNLESS SPECIFIED)		CHK'D: YNAITO 2018/01/18		PRODUCT CUSTOMER DRAWING	
ANGULAR TOL	± 3.0 °	APPR: TKUSUHARA01 2018/01/18		DOCUMENT NUMBER	
4 PLACES	± 0.03	INITIAL REVISION:		5055511000	
3 PLACES	± 0.03	DRWN: JFURUKAWA 2017/08/03		DOC TYPE	
2 PLACES	± 0.05	APPR: TKUSUHARA01 2017/08/31		PSD	
1 PLACE	± 0.1	DRAFT WHERE APPLICABLE MUST REMAIN WITHIN DIMENSIONS		DOC PART	
0 PLACES	± 0.2	THIRD ANGLE PROJECTION		002	
		DRAWING		REVISION	
		A3-SIZE		B	
		SERIES		SHEET NUMBER	
		505551		1 OF 2	
		MATERIAL NUMBER		CUSTOMER	
		SEE CHART		GENERAL	



RECOMMENDED P.W. BOARD
PATTERN LAYOUT

- *1 パターン引き回し、および半田禁止エリア
(当該箇所においては、これと接する回路以外の配線を禁止する。
また、接する回路を配線する場合はレジストを施し、この部分に
半田は無きこととする。)
- *1 PROHIBITED AREA OF PATTERN WIRING AND SOLDER.
(FOR EACH AREA, THE WIRING THAT TOUCHES ON THE SOLDER
CAN BE ATTACHED, THEN COVERED WITH A FILM TO KEEP SOLDER OUT.)

THIS DRAWING CONTAINS INFORMATION THAT IS PROPRIETARY TO MOLEX ELECTRONIC TECHNOLOGIES, LLC AND SHOULD NOT BE USED WITHOUT WRITTEN PERMISSION									
DIMENSION UNITS		SCALE		CURRENT REV DESC:				molex	
mm		20:1							
GENERAL TOLERANCES (UNLESS SPECIFIED)									
ANGULAR TOL		± 3.0 °		EC NO: 170751		2018/01/11		0.4 BB CONN. HGT=0.8 W=2.5 PLUG ASSY	
4 PLACES		± 0.03		DRWN: JFURUKAWA		2018/01/18			
3 PLACES		± 0.03		CHK'D: YNAITO		2018/01/18			
2 PLACES		± 0.05		APPR: TKUSUHARA01		2018/01/18		PRODUCT CUSTOMER DRAWING	
1 PLACE		± 0.1		INITIAL REVISION:				DOCUMENT NUMBER	
0 PLACES		± 0.2		DRWN: JFURUKAWA		2017/08/03		5055511000	
				APPR: TKUSUHARA01		2017/08/31		PSD 002 B	
DRAFT WHERE APPLICABLE MUST REMAIN WITHIN DIMENSIONS				THIRD ANGLE PROJECTION		DRAWING		SERIES	
						A3-SIZE		505551	
				MATERIAL NUMBER		CUSTOMER		SHEET NUMBER	
				SEE CHART		GENERAL		2 OF 2	