

PLEASE CHECK WWW.MOLEX.COM FOR LATEST PART INFORMATION

Part Number: **0510151500**
Status: **Active**
Description: 2.00mm Pitch Board-in Crimp Housing, Low Profile, 15 Circuits

Documents:

[3D Model](#) [Product Specification PS-51015-002-001 \(PDF\)](#)
[Drawing \(PDF\)](#) [RoHS Certificate of Compliance \(PDF\)](#)

General

Product Family Crimp Housings
Series [51015](#)
Application Signal
Product Name Board-In
UPC 800753749276

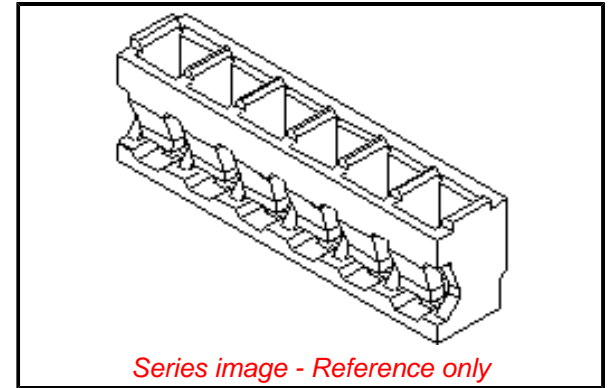
Physical

Circuits (maximum) 15
Color - Resin Natural
Gender Male
Glow-Wire Compliant No
Material - Resin Nylon
Net Weight 278.800/mg
Number of Rows 1
Packaging Type Bag
Panel Mount No
Pitch - Mating Interface 2.00mm
Stackable No
Temperature Range - Operating -40°C to +105°C

Material Info

Reference - Drawing Numbers

Product Specification PS-51015-002-001
Sales Drawing SD-51015-**00



EU ELV

Not Relevant

EU RoHS

Compliant

REACH SVHC

Not Contained Per -
ED/21/2016 (20 June
2016)

Halogen-Free

Status

Not Low-Halogen

**Need more information on product
environmental compliance?**

Email productcompliance@molex.com
Please visit the [Contact Us](#) section for any
non-product compliance questions.

China ROHS

ELV

RoHS Phthalates

China RoHS

Green Image

Not Relevant

Not Contained

Search Parts in this Series

[51015 Series](#)

Use With

[50034](#)

Mouser Electronics

Authorized Distributor

Click to View Pricing, Inventory, Delivery & Lifecycle Information:

[Molex:](#)

[51015-1500](#)