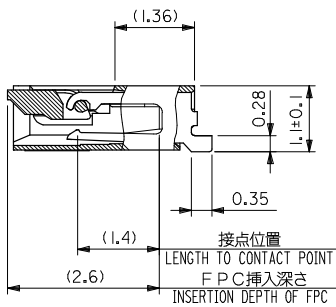
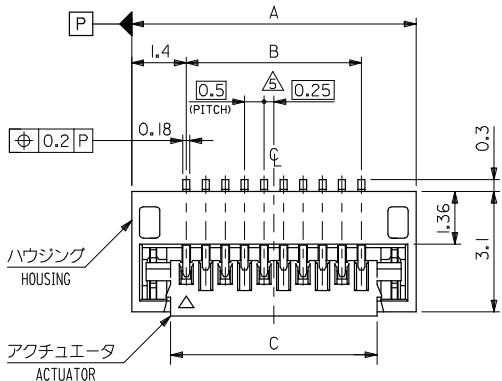
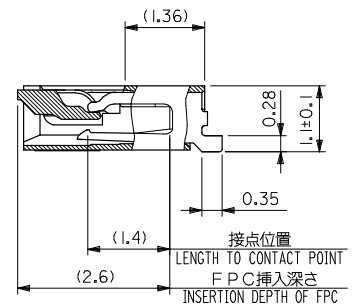


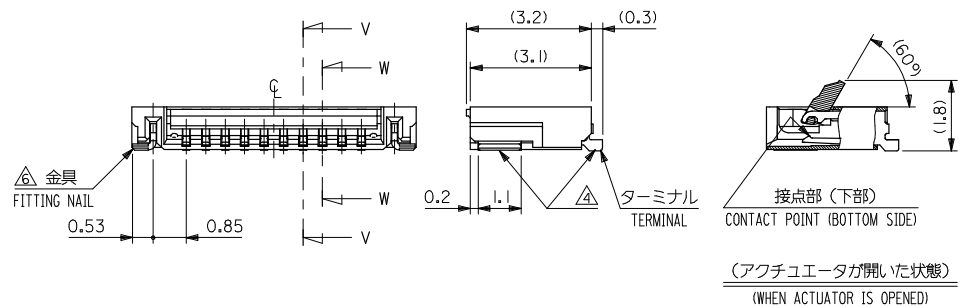
10 9 8 7 6 5 4 3 2 1



断面 V-V 奇数種
SECT. V-V (Scale 15:1)
(ODD CIRCUIT)



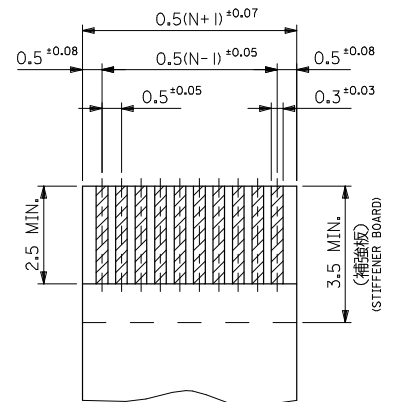
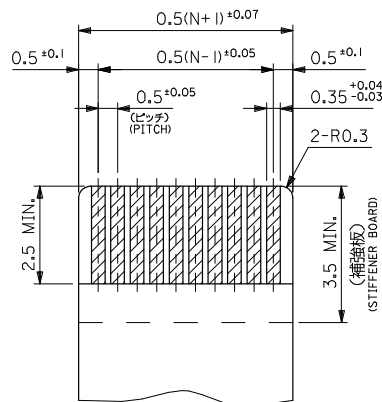
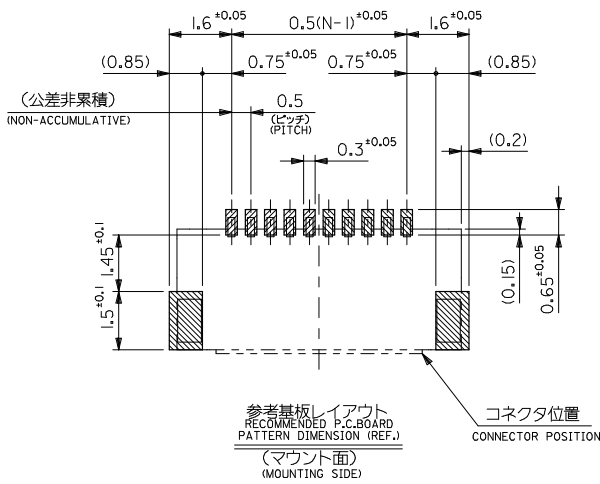
断面 W-W 偶数種
SECT. W-W (Scale 15:1)
(EVEN CIRCUIT)



12.3	11.5	14.3	51441-2493	51441-2441	24
11.3	10.5	13.3	51441-2293	51441-2241	22
10.3	9.5	12.3	51441-2093	51441-2041	20
9.3	8.5	11.3	51441-1893	51441-1841	18
8.8	8.0	10.8	51441-1793	51441-1741	17
8.3	7.5	10.3	51441-1693	51441-1641	16
6.8	6.0	8.8	51441-1393	51441-1341	13
6.3	5.5	8.3	51441-1293	51441-1241	12
5.8	5.0	7.8	51441-1193	51441-1141	11
5.3	4.5	7.3	51441-1093	51441-1041	10
4.8	4.0	6.8	51441-0993	51441-0941	9
4.3	3.5	6.3	51441-0893	51441-0841	8
3.8	3.0	5.8	51441-0793	51441-0741	7
3.3	2.5	5.3	51441-0693	51441-0641	6
C	B	A	EMBOSSED TAPE ORDER No. オーダー番号	製品番号 MATERIAL No.	極数 CIRCUIT
			51441-***41	MODEL NO.	

REVISED EC NO: J2008-4048 DRAWN BY: 2008/06/13 CHKD: THARYAMA 2008/06/16 APPR: NIKITA 2008/06/16	GENERAL TOLERANCES (UNLESS SPECIFIED)		DIMENSION STYLE MM ONLY		SCALE 10:1	DESIGN UNITS METRIC	THIRD ANGLE PROJECTION
	10 UNDER	±0.2	DRAWN BY M. HAYASHI	DATE 2003/12/22	TITLE 0.5 FPC CONN. E/O HSG ASSY BTM CONT(H=1.1) -LEAD FREE-		
	10 OVER 30 UNDER	±0.25	CHECKED BY K. TOJO	DATE 2003/12/22	MOLEX INCORPORATED		
	30 OVER	±0.3	APPROVED BY M. SASAO	DATE 2003/12/22	MATERIAL NO. SEE TABLE	DOCUMENT NO. SD-51441-007	SHEET NO. 1 OF 2
ANGULAR ±3°		DRAFT WHERE APPLICABLE MUST REMAIN WITHIN DIMENSIONS		THIS DRAWING CONTAINS INFORMATION THAT IS PROPRIETARY TO MOLEX INCORPORATED AND SHOULD NOT BE USED WITHOUT WRITTEN PERMISSION			

10 9 8 7 6 5 4 3 2 1



注記 NOTES

1. 使用材料 MATERIAL

ハウジング : 液晶ポリマー ガラス充填, UL94V-0 (ベージュ)
HOUSING : LIQUID CRYSTAL POLYMER GLASS FILLED, UL94V-0(BEIGE)
アクチュエータ : ポリフェニレンサルファイド ガラス充填, UL94V-0 (黒)
ACTUATOR : POLYPHENYLENE SULFIDE GLASS FILLED, UL94V-0(BLACK)
ターミナル : リン青銅 (t=0.18)
TERMINAL : PHOSPOR BRONZE
金具 : リン青銅 (t=0.15)
FITTING NAIL : PHOSPOR BRONZE

2. メッキ仕様 PLATING

ターミナル TERMINAL
ニッケル下地鍍ピスマスメッキ
TIN-BISMUTH (LEAD FREE) OVER NICKEL PLATING
金具 FITTING NAIL
ニッケル下地鍍メッキ
PURE TIN (LEAD FREE) OVER NICKEL PLATING

3. エンボステープ梱包時は、アクチュエータが閉じた状態とする。

IN THE PACKAGE, ACTUATOR OF PART NO.51441-***11 SHOULD BE CLOSED.

△ソルダーテール及び金具の平坦度は、0.1以下。
SOLDER TAIL AND FITTING NAIL COPLANARITY TO BE 0.1 MAXIMUM.

△偶数個に適用。
APPLY FOR EVEN CIRCUIT.

△パターンはくり止め用金具
FITTING NAIL FOR PREVENTION OF PEELING OF PCB PATTERN.

7. この製品は 51441-***11 及び 51441-***31 の鉛フリー品です。
THIS PRODUCT IS LEAD FREE ITEM OF 51441-***11 AND 51441-***31.

FPC/FFCについて:

打抜き方向は導体側から補強板側を推奨いたします。
導体側については軟銅箔35マイクロメートルまたは50マイクロメートルを推奨いたします。
ABOUT FPC/FFC
RECOMMENDED PUNCHER DIRECTION : FROM CONDUCTOR SIDE TO STIFFENER FILM SIDE.
RECOMMENDED CONDUCTOR SPEC :
THICKNESS OF SOFT COPPER FOIL : 35 MICROMETER OR 50 MICROMETER

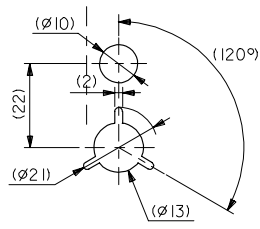
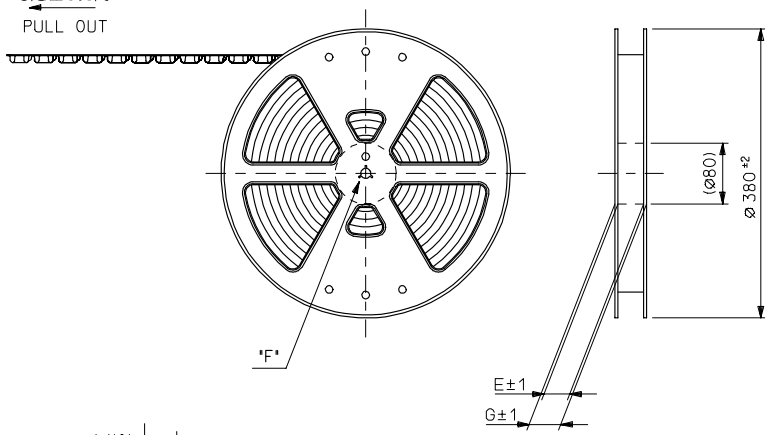
FPCについて:

補強フィルム材質はポリイミドを推奨します。
接着剤は熱硬化接着剤を推奨します。
ABOUT FPC
RECOMMENDED MATERIAL :
STIFFENER FILM : POLYIMIDE
BONDING AGENT : THERMOSETTING BONDING AGENT

REVISED EC NO: J2008-4048 DRAWN: MABEI 2008/06/13 CHKD: HARUYAMA 2008/06/16 APPR: NIKITA 2008/06/16	GENERAL TOLERANCES (UNLESS SPECIFIED)		DIMENSION STYLE MM ONLY		51441-***41		MODEL NO.
	10 UNDER	±0.2	DRAWN BY	DATE	SCALE	DESIGN UNITS	THIRD ANGLE PROJECTION
	10 OVER 30 UNDER	±0.25	M. HAYASHI	2003/12/22	10:1	METRIC	
	30 OVER	±0.3	CHECKED BY	DATE	TITLE		
ANGULAR	±3 °	K. TOJO	2003/12/22	0.5 FPC CONN. E/O HSG ASSY BTM CONT(H=1.1) -LEAD FREE-			
DRAFT WHERE APPLICABLE MUST REMAIN WITHIN DIMENSIONS		APPROVED BY	DATE	MATERIAL NO.		DOCUMENT NO.	SHEET NO.
		M. SASAO	2003/12/22	SEE SHEET 1		SD-51441-007	2 OF 2
THIS DRAWING CONTAINS INFORMATION THAT IS PROPRIETARY TO MOLEX INCORPORATED AND SHOULD NOT BE USED WITHOUT WRITTEN PERMISSION							

10 9 8 7 6 5 4 3 2 1

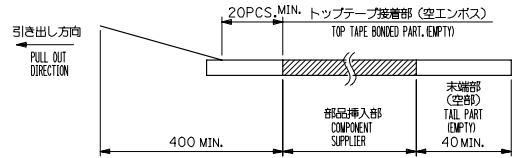
引き出し方向
PULL OUT



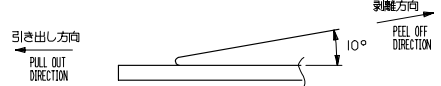
DETAIL "F"

注記 NOTES

1. 製品詳細寸法については、図面SD-51441-007を参照下さい。
RE DETAILED DIMENSION, SEE SD-51441-007.
2. 梱包数量: 3000個/リール
NUMBER OF CONNECTORS: 3000PCS/REEL
3. リードテープ長さ LEAD TAPE LENGTH



4. トップテープの剥離強度: 0.1N~1.3N {10.2gf~130gf} (剥離方向は下図参照)
尚、本規格値は出荷時に適用。(但し、輸送時に剥離が発生しないこと。)
PEELING OFF FORCE OF TOP TAPE: 0.1N ~ 1.3N(10gf ~ 130gf)
(PEELING DIRECTION AS SHOWN IN FOLLOWING FIG.)
THIS REQUIREMENT SHOULD BE APPLIED AT SHIPMENT.
PEEL OFF SHOULD NOT BE ALLOWED, DURING TRANSPORTATION.



5. 材料 (MATERIAL)
キャリアテープ (CARRIER TAPE): ポリプロピレン (POLYPROPYLENE)
トップテープ (TOP TAPE): PET, PE, PEF
リール (REEL): ポリスチレン (PS) <リサイクル材を含む>
POLYSTYRENE(PS) <RECYCLE MATERIAL CONTAINED>
6. この製品は51441-0090及び51441-0092の鉛フリー品です。
THIS PRODUCT IS LEAD FREE ITEM OF 51441-0090 AND 51441-0092.

REVISED EC NO: J2006-0858 2005/09/09 DRW: H.MABELI 2005/09/12 CHK: K.TOYODA 2005/09/15 APPR: N.MUKITA 2005/09/15 DESCRIPTION A	GENERAL TOLERANCES (UNLESS SPECIFIED)		DIMENSION STYLE MM ONLY		SCALE ---	51441-0093	MODEL NO.
	10 UNDER	±0.2	DRAWN BY M.HAYASHI	DATE '03/12/22	TITLE EMBSTP PKG FOR 0.5 FPC CONN E/O BTM CONT H=1.1 -LEAD FREE-	DESIGN UNITS METRIC	THIRD ANGLE PROJECTION
	10 OVER 30 UNDER	±0.25	CHECKED BY K.TOJO	DATE '03/12/22		MOLEX MOLEX INCORPORATED	
	30 OVER	±0.3	APPROVED BY M.SASAO	DATE '03/12/22	MATERIAL NO. SEE CHART		DOCUMENT NO. SD-51441-008
ANGULAR ±3 °			DRAFT WHERE APPLICABLE MUST REMAIN WITHIN DIMENSIONS		THIS DRAWING CONTAINS INFORMATION THAT IS PROPRIETARY TO MOLEX INCORPORATED AND SHOULD NOT BE USED WITHOUT WRITTEN PERMISSION		

10 9 8 7 6 5 4 3 2 1

F

E

D

C

B

A

F

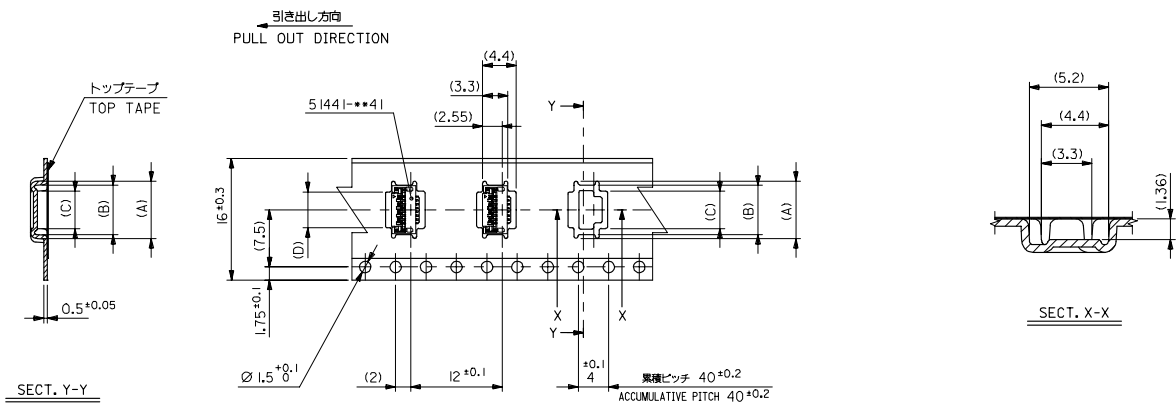
E

D

C

B

A



16mm幅キャリアテープ
16mm WIDTH CARRIER TAPE

16	21.4	17.4	4.7	4.89	6.5	7.5	51441-0893	8
			4.2	4.39	6	7	51441-0793	7
キャリアテープ幅 CARRIER TAPE WIDTH	G	E	3.7	3.89	5.5	6.5	51441-0693	6

REVISED IEC NO. J2006-0858 2005/09/09 DRAWN: HABEI 2005/09/12 CHK: KATOYODA 2005/09/15 APPR: NUKITA 2005/09/15 REV. DESCRIPTION	GENERAL TOLERANCES (UNLESS SPECIFIED)		DIMENSION STYLE MM ONLY		SCALE ---	DESIGN UNITS METRIC	MODEL No. 51441-***93	THIRD ANGLE PROJECTION
	10 UNDER	±0.2	DRAWN BY M. HAYASHI	DATE '03/12/22	TITLE EMBSTP PKG FOR 0.5 FPC CONN E/O BTM CONT H=1.1 -LEAD FREE-			
	10 OVER 30 UNDER	±0.25	CHECKED BY K. TOJO	DATE '03/12/22	MOLEX INCORPORATED			
	30 OVER	±0.3	APPROVED BY M. SASAO	DATE '03/12/22	DOCUMENT NO. SD-51441-008			
ANGULAR ±3 °		DRAFT WHERE APPLICABLE MUST REMAIN WITHIN DIMENSIONS		MATERIAL NO. SEE CHART		SHEET NO. 2 OF 3		INCORPORATED AND SHOULD NOT BE USED WITHOUT WRITTEN PERMISSION

10 9 8 7 6 5 4 3 2 1

F F

E E

D D

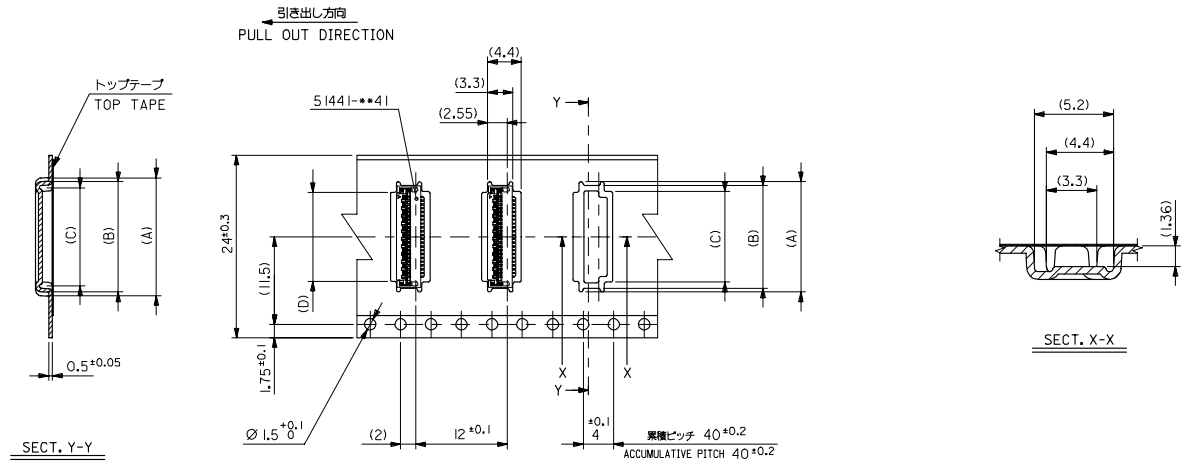
C C

B B

A A

9 8 7 6 5 4 3 2 1

EN-02JA(021)



24mm幅キャリアテープ
24mm WIDTH CARRIER TAPE

24	29.4	25.4	12.7	12.89	14.5	15.5	51441-2493	24
			11.7	11.89	13.5	14.5	51441-2293	22
			10.7	10.89	12.5	13.5	51441-2093	20
			9.7	9.89	11.5	12.5	51441-1893	18
			9.2	9.39	11	12	51441-1793	17
			8.7	8.89	10.5	11.5	51441-1693	16
			7.2	7.39	9	10	51441-1393	13
			6.7	6.89	8.5	9.5	51441-1293	12
			6.2	6.39	8	9	51441-1193	11
			5.7	5.89	7.5	8.5	51441-1093	10
			5.2	5.39	7	8	51441-0993	9
			キャリアテープ幅 CARRIER TAPE WIDTH	G	E	(D)	(C)	(B)

REVISED IEC NO. J2006-0858 2005/09/09 DRW:HNABEI 2005/09/12 CHK:KATOYODA 2005/09/15 APPR:NIKIITA 2005/09/15 REV DESCRIPTION	GENERAL TOLERANCES (UNLESS SPECIFIED)		DIMENSION STYLE MM ONLY		SCALE ---	DESIGN UNITS METRIC	51441-***93	MODEL NO.
	10 UNDER	± ---	DRAWN BY M. HAYASHI	DATE '03/12/22	TITLE EMBSTP PKG FOR 0.5 FPC CONN E/O BTM CONT H=1.1 -LEAD FREE-			
	10 OVER 30 UNDER	± ---	CHECKED BY K. TOJO	DATE '03/12/22	THIRD ANGLE PROJECTION			
	30 OVER	± ---	APPROVED BY M. SASAO	DATE '03/12/22	MOLEX INCORPORATED			
	ANGULAR	± --- °	MATERIAL NO.	DOCUMENT NO.	SD-51441-008			
DRAFT WHERE APPLICABLE MUST REMAIN WITHIN DIMENSIONS		SEE CHART		THIS DRAWING CONTAINS INFORMATION THAT IS PROPRIETARY TO MOLEX INCORPORATED AND SHOULD NOT BE USED WITHOUT WRITTEN PERMISSION		SHEET NO. 3 OF 3		