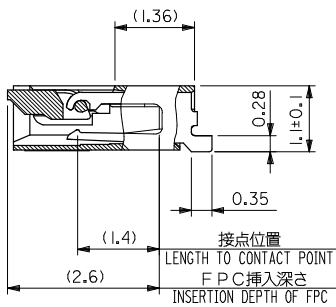
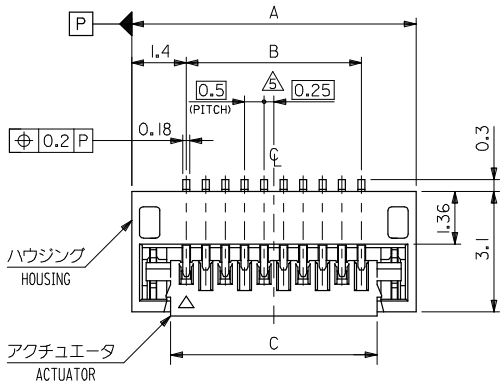
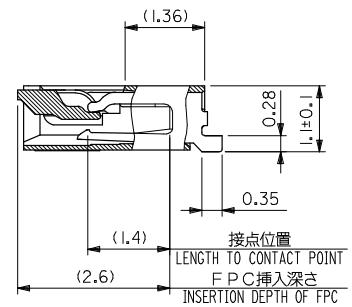


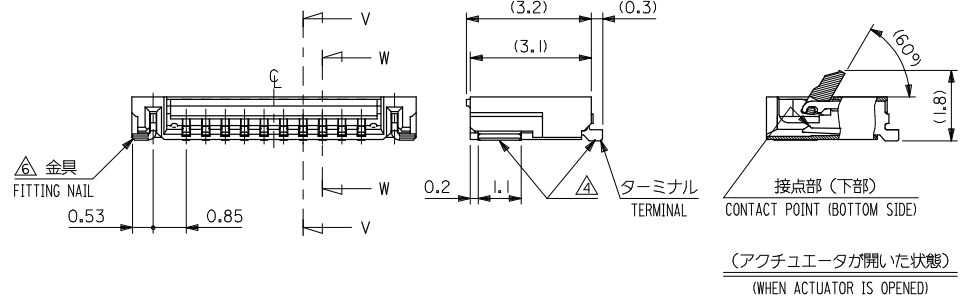
10 9 8 7 6 5 4 3 2 1



断面 V-V 奇数種  
SECT. V-V (Scale 15:1)  
(ODD CIRCUIT)



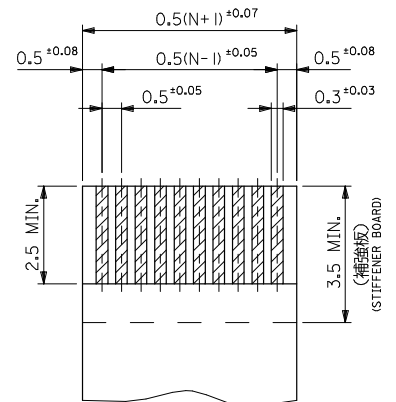
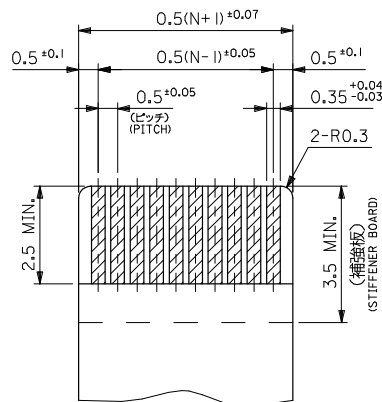
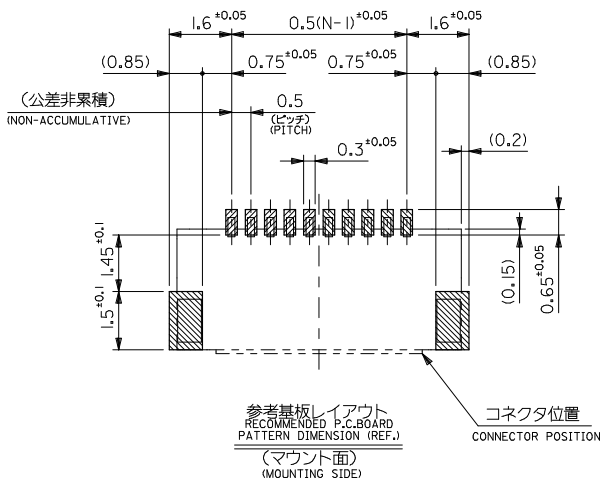
断面 W-W 偶数種  
SECT. W-W (Scale 15:1)  
(EVEN CIRCUIT)



12.3	11.5	14.3	51441-2493	51441-2441	24
11.3	10.5	13.3	51441-2293	51441-2241	22
10.3	9.5	12.3	51441-2093	51441-2041	20
9.3	8.5	11.3	51441-1893	51441-1841	18
8.8	8.0	10.8	51441-1793	51441-1741	17
8.3	7.5	10.3	51441-1693	51441-1641	16
6.8	6.0	8.8	51441-1393	51441-1341	13
6.3	5.5	8.3	51441-1293	51441-1241	12
5.8	5.0	7.8	51441-1193	51441-1141	11
5.3	4.5	7.3	51441-1093	51441-1041	10
4.8	4.0	6.8	51441-0993	51441-0941	9
4.3	3.5	6.3	51441-0893	51441-0841	8
3.8	3.0	5.8	51441-0793	51441-0741	7
3.3	2.5	5.3	51441-0693	51441-0641	6
C	B	A	EMBOSSED TAPE ORDER No. オーダー番号 51441-***41	製品番号 MATERIAL No. 51441-***41	極数 CIRCUIT MODEL NO.

REVISED EC NO: J2008-4048 DRAWN BY: HIRAHARA 2008/06/13 CHECKED BY: THARYAMA 2008/06/16 APPROVED BY: APPR: NIKITA 2008/06/16	GENERAL TOLERANCES (UNLESS SPECIFIED)		DIMENSION STYLE MM ONLY		SCALE 10:1	DESIGN UNITS METRIC	THIRD ANGLE PROJECTION
	10 UNDER	±0.2	DRAWN BY M. HAYASHI	DATE 2003/12/22	TITLE 0.5 FPC CONN. E/O HSG ASSY BTM CONT(H=1.1) -LEAD FREE-		
	10 OVER 30 UNDER	±0.25	CHECKED BY K. TOJO	DATE 2003/12/22	MOLEX INCORPORATED		
	30 OVER	±0.3	APPROVED BY M. SASAO	DATE 2003/12/22	MATERIAL NO. SEE TABLE	DOCUMENT NO. SD-51441-007	SHEET NO. 1 OF 2
ANGULAR ±3°		DRAFT WHERE APPLICABLE MUST REMAIN WITHIN DIMENSIONS		THIS DRAWING CONTAINS INFORMATION THAT IS PROPRIETARY TO MOLEX INCORPORATED AND SHOULD NOT BE USED WITHOUT WRITTEN PERMISSION			

10 9 8 7 6 5 4 3 2 1



注記 NOTES

1. 使用材料 MATERIAL

ハウジング : 液晶ポリマー ガラス充填, UL94V-0 (ベージュ)  
HOUSING : LIQUID CRYSTAL POLYMER GLASS FILLED, UL94V-0(BEIGE)  
アクチュエータ : ポリフェニレンサルファイド ガラス充填, UL94V-0 (黒)  
ACTUATOR : POLYPHENYLENE SULFIDE GLASS FILLED, UL94V-0(BLACK)  
ターミナル : リン青銅 (t=0.18)  
TERMINAL : PHOSPOR BRONZE  
金具 : リン青銅 (t=0.15)  
FITTING NAIL : PHOSPOR BRONZE

2. メッキ仕様 PLATING

ターミナル TERMINAL  
ニッケル下地鍍ピスマスメッキ  
TIN-BISMUTH (LEAD FREE) OVER NICKEL PLATING  
金具 FITTING NAIL  
ニッケル下地鍍メッキ  
PURE TIN (LEAD FREE) OVER NICKEL PLATING

3. エンボステープ梱包時は、アクチュエータが閉じた状態とする。  
IN THE PACKAGE, ACTUATOR OF PART NO.51441-\*\*\*11 SHOULD BE CLOSED.  
△ソルダーテール及び金具の平坦度は、0.1以下。  
SOLDER TAIL AND FITTING NAIL COPLANARITY TO BE 0.1 MAXIMUM.  
△偶数個に適用。  
APPLY FOR EVEN CIRCUIT.  
△パターンはくり止め用金具  
FITTING NAIL FOR PREVENTION OF PEELING OF PCB PATTERN.  
7. この製品は 51441-\*\*\*11 及び 51441-\*\*\*31 の鉛フリー品です。  
THIS PRODUCT IS LEAD FREE ITEM OF 51441-\*\*\*11 AND 51441-\*\*\*31.

FPC/FFCについて:

打抜き方向は導体側から補強板側を推奨いたします。  
導体部については軟銅箔35マイクロメートルまたは50マイクロメートルを推奨いたします。  
ABOUT FPC/FFC  
RECOMMENDED PUNCHER DIRECTION : FROM CONDUCTOR SIDE TO STIFFENER FILM SIDE.  
RECOMMENDED CONDUCTOR SPEC :  
THICKNESS OF SOFT COPPER FOIL : 35 MICROMETER OR 50 MICROMETER

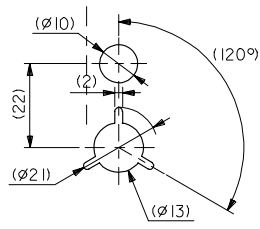
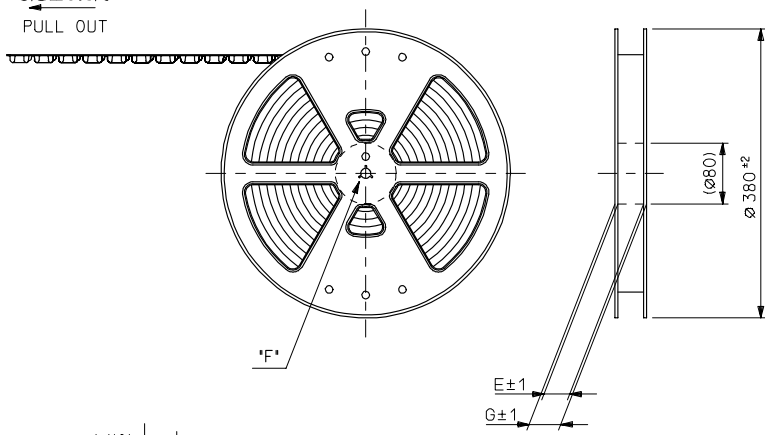
FPCについて:

補強フィルム材質はポリイミドを推奨します。  
接着剤は熱硬化接着剤を推奨します。  
ABOUT FPC  
RECOMMENDED MATERIAL :  
STIFFENER FILM : POLYIMIDE  
BONDING AGENT : THERMOSETTING BONDING AGENT

REVISED EC NO: J2008-4048 DRAWN: MABEL 2008/06/13 CHKD: HARUYAMA 2008/06/16 APPR: NIKITA 2008/06/16	GENERAL TOLERANCES (UNLESS SPECIFIED)		DIMENSION STYLE MM ONLY		51441-***41		MODEL NO.
	10 UNDER	±0.2	DRAWN BY	DATE	SCALE	DESIGN UNITS	THIRD ANGLE PROJECTION
	10 OVER 30 UNDER	±0.25	M. HAYASHI	2003/12/22	10:1	METRIC	
	30 OVER	±0.3	CHECKED BY	DATE	TITLE		
ANGULAR	±3°	K. TOJO	2003/12/22	0.5 FPC CONN. E/O HSG ASSY BTM CONT(H=1.1) -LEAD FREE-			MOLEX INCORPORATED
DRAFT WHERE APPLICABLE MUST REMAIN WITHIN DIMENSIONS		APPROVED BY	DATE	MATERIAL NO.		DOCUMENT NO.	
		M. SASAO	2003/12/22	SEE SHEET 1		SD-51441-007	2 OF 2
<p>SIZE A3 THIS DRAWING CONTAINS INFORMATION THAT IS PROPRIETARY TO MOLEX INCORPORATED AND SHOULD NOT BE USED WITHOUT WRITTEN PERMISSION</p>							

10 9 8 7 6 5 4 3 2 1

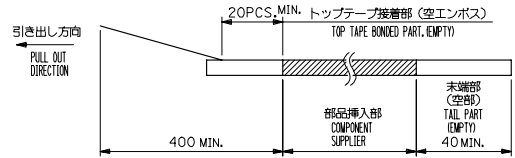
引き出し方向  
PULL OUT



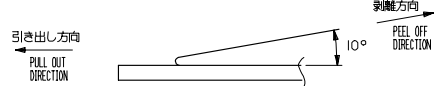
DETAIL "F"

注記 NOTES

1. 製品詳細寸法については、図面SD-51441-007を参照下さい。  
RE DETAILED DIMENSION, SEE SD-51441-007.
2. 梱包数量：3000個/リール  
NUMBER OF CONNECTORS：3000PCS/REEL
3. リードテープ長さ LEAD TAPE LENGTH



4. トップテープの剥離強度：0.1N～1.3N {10.2gf～130gf} (剥離方向は下図参照)  
尚、本規格値は出荷時に適用。(但し、輸送時に剥離が発生しないこと。)  
PEELING OFF FORCE OF TOP TAPE：0.1N～1.3N(10gf～130gf)  
(PEELING DIRECTION AS SHOWN IN FOLLOWING FIG.)  
THIS REQUIREMENT SHOULD BE APPLIED AT SHIPMENT.  
PEEL OFF SHOULD NOT BE ALLOWED, DURING TRANSPORTATION.



5. 材料 (MATERIAL)  
キャリアテープ (CARRIER TAPE)：ポリプロピレン (POLYPROPYLENE)  
トップテープ (TOP TAPE)：PET, PE, PEF  
リール (REEL)：ポリスチレン (PS) <リサイクル材を含む>  
POLYSTYRENE(PS) <RECYCLE MATERIAL CONTAINED>
6. この製品は51441-0090及び51441-0092の鉛フリー品です。  
THIS PRODUCT IS LEAD FREE ITEM OF 51441-0090 AND 51441-0092.

REVISED EC NO. J2006-0858 2005/09/09 DRAWN: H. HAYASHI CHK: K. TOYODA 2005/09/12 APP: N. MIYATA 2005/09/15	GENERAL TOLERANCES (UNLESS SPECIFIED)		DIMENSION STYLE MM ONLY		SCALE ---	51441-0093	MODEL NO.
	10 UNDER	± 0.2	DRAWN BY M. HAYASHI	DATE '03/12/22	TITLE EMBSTP PKG FOR 0.5 FPC CONN E/O BTM CONT H=1.1 -LEAD FREE-	DESIGN UNITS METRIC	THIRD ANGLE PROJECTION
	10 OVER 30 UNDER	± 0.25	CHECKED BY K. TOJO	DATE '03/12/22			
	30 OVER	± 0.3	APPROVED BY M. SASAO	DATE '03/12/22	MATERIAL NO. SEE CHART	DOCUMENT NO. SD-51441-008	SHEET NO. 1 OF 3
ANGULAR	± 3 °	DRAFT WHERE APPLICABLE MUST REMAIN WITHIN DIMENSIONS					

10 9 8 7 6 5 4 3 2 1

F

E

D

C

B

A

F

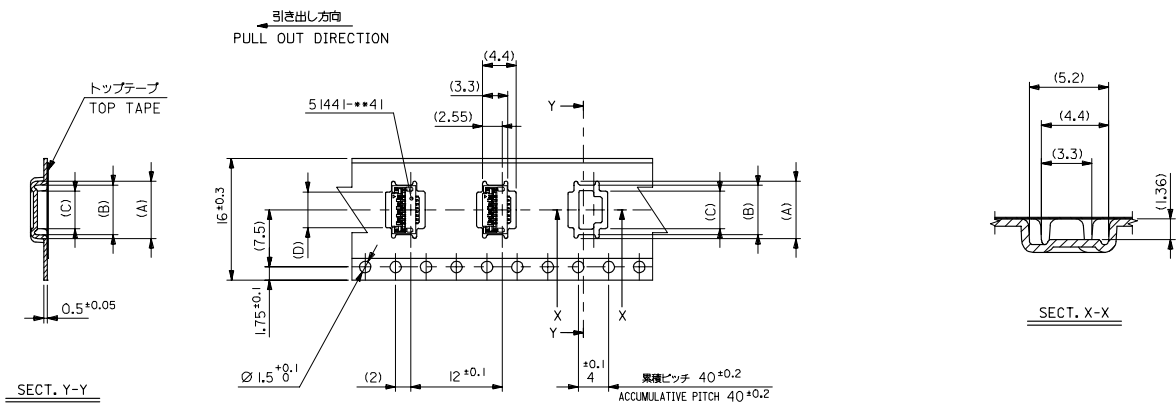
E

D

C

B

A



16mm幅キャリアテープ  
16mm WIDTH CARRIER TAPE

16	21.4	17.4	4.7	4.89	6.5	7.5	51441-0893	8
			4.2	4.39	6	7	51441-0793	7
キャリアテープ幅 CARRIER TAPE WIDTH	G	E	3.7	3.89	5.5	6.5	51441-0693	6
	(D)	(C)	(B)	(A)	MATERIAL NO.		部品 CKT.	

REVISED IEC NO. J2006-0858 2005/09/09 DRAWN:HABEI 2005/09/12 CHK:KATOYODA 2005/09/15 APPR:NIKIITA 2005/09/15 REV DESCRIPTION	GENERAL TOLERANCES (UNLESS SPECIFIED)		DIMENSION STYLE MM ONLY		SCALE ---	DESIGN UNITS METRIC	51441-***93	MODEL No.
	10 UNDER	±0.2	DRAWN BY M.HAYASHI	DATE '03/12/22	TITLE EMBSTP PKG FOR 0.5 FPC CONN E/O BTM CONT H=1.1 -LEAD FREE-			
	10 OVER 30 UNDER	±0.25	CHECKED BY K.TOJO	DATE '03/12/22	THIRD ANGLE PROJECTION			
	30 OVER	±0.3	APPROVED BY M.SASAO	DATE '03/12/22	MOLEX INCORPORATED			
	ANGULAR	±3 °	MATERIAL NO.	SEE CHART	DOCUMENT NO. SD-51441-008	SHEET NO. 2 OF 3		
DRAFT WHERE APPLICABLE MUST REMAIN WITHIN DIMENSIONS		SIZE A3	THIS DRAWING CONTAINS INFORMATION THAT IS PROPRIETARY TO MOLEX INCORPORATED AND SHOULD NOT BE USED WITHOUT WRITTEN PERMISSION					

10 9 8 7 6 5 4 3 2 1

F F

E E

D D

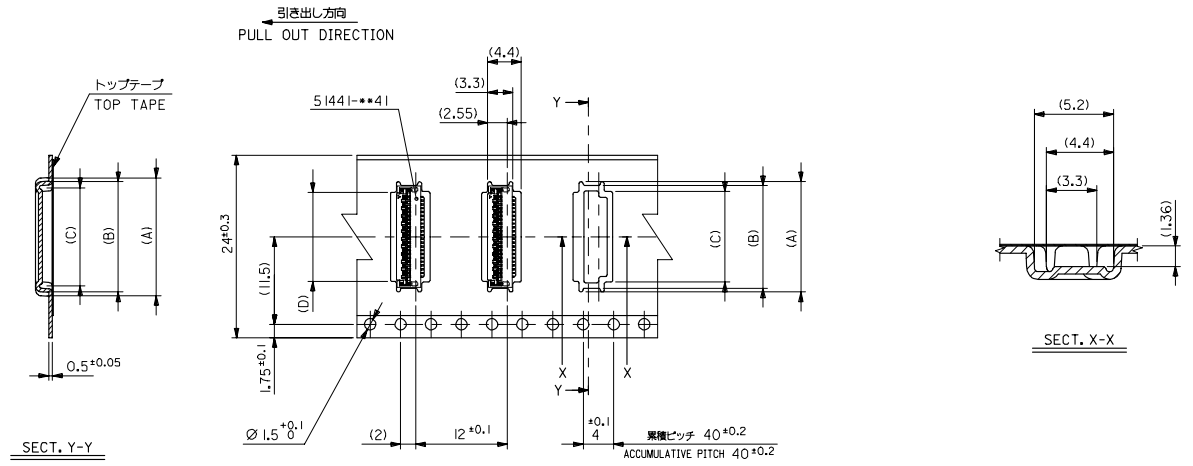
C C

B B

A A

9 8 7 6 5 4 3 2 1

EN-02JA(021)



24mm幅キャリアテープ  
24mm WIDTH CARRIER TAPE

24	29.4	25.4	12.7	12.89	14.5	15.5	51441-2493	24
			11.7	11.89	13.5	14.5	51441-2293	22
			10.7	10.89	12.5	13.5	51441-2093	20
			9.7	9.89	11.5	12.5	51441-1893	18
			9.2	9.39	11	12	51441-1793	17
			8.7	8.89	10.5	11.5	51441-1693	16
			7.2	7.39	9	10	51441-1393	13
			6.7	6.89	8.5	9.5	51441-1293	12
			6.2	6.39	8	9	51441-1193	11
			5.7	5.89	7.5	8.5	51441-1093	10
			5.2	5.39	7	8	51441-0993	9
			キャリアテープ幅 CARRIER TAPE WIDTH	G	E	(D)	(C)	(B)

REVISED IEC NO. J2006-0858 2005/09/09 DRW:HMABEI 2005/09/12 CHK:KATOYODA 2005/09/15 APPR:NIKIITA 2005/09/15 REV DESCRIPTION	GENERAL TOLERANCES (UNLESS SPECIFIED)		DIMENSION STYLE MM ONLY		SCALE ---	DESIGN UNITS METRIC	51441-***93	MODEL No.
	10 UNDER	± ---	DRAWN BY M. HAYASHI	DATE '03/12/22	TITLE EMBSTP PKG FOR 0.5 FPC CONN E/O BTM CONT H=1.1 -LEAD FREE-			
	10 OVER 30 UNDER	± ---	CHECKED BY K. TOJO	DATE '03/12/22	THIRD ANGLE PROJECTION			
	30 OVER	± ---	APPROVED BY M. SASAO	DATE '03/12/22	MOLEX INCORPORATED			
	ANGULAR	± --- °	MATERIAL NO.	SEE CHART	DOCUMENT NO. SD-51441-008	SHEET NO. 3 OF 3		
DRAFT WHERE APPLICABLE MUST REMAIN WITHIN DIMENSIONS		SIZE A3		THIS DRAWING CONTAINS INFORMATION THAT IS PROPRIETARY TO MOLEX INCORPORATED AND SHOULD NOT BE USED WITHOUT WRITTEN PERMISSION				