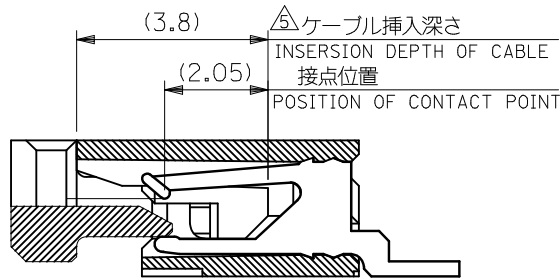


38.7	35.2	33	52207-3417	34
34.7	31.2	29	-3017	30
33.7	30.2	28	-2917	29
32.7	29.2	27	-2817	28
31.7	28.2	26	-2717	27
29.7	26.2	24	-2517	25
28.7	25.2	23	-2417	24
26.7	23.2	21	-2217	22
24.7	21.2	19	-2017	20
23.7	20.2	18	-1917	19
22.7	19.2	17	-1817	18
21.7	18.2	16	-1717	17
20.7	17.2	15	-1617	16
19.7	16.2	14	-1517	15
18.7	15.2	13	-1417	14
16.7	13.2	11	-1217	12
15.7	12.2	10	-1117	11
14.7	11.2	9	-1017	10
13.7	10.2	8	-0917	9
12.7	9.2	7	-0817	8
11.7	8.2	6	-0717	7
10.7	7.2	5	-0617	6
7.7	4.2	2	52207-0317	3

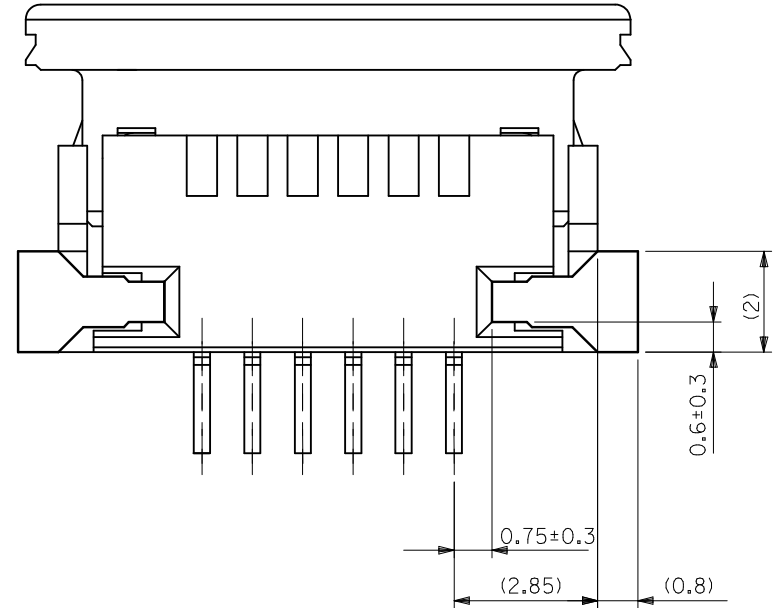
注記 NOTES

- 接点部までの嵌合長さ。
LENGTH TO CONTACT POINT.
- 使用材料 MATERIAL
ハウジング : 46ナイロン (耐熱性), UL94V-0
HOUSING : 46NYLON, UL94V-0
アクチュエータ : PPS, UL94V-0
ACTUATOR : PPS, UL94V-0
ターミナル : リン青銅, 半田メッキ (t=0.32)
TERMINAL : PHOS-BRO., TIN-LEAD PLATED (t=0.32)
金具 : 銅合金, 半田メッキ (t=0.25)
FITTING NAIL : COPPER ALLOY, TIN-LEAD PLATED (t=0.25)
- パターンはくり止め用金具
FITTING NAIL FOR PREVENTION OF PEELING OF P.C.B.PATTERN.
- エンボステープ梱包時は, アクチュエータがロックした状態とする。
IN THE PACKAGE, ACTUATOR OF PART NO. 52207-**17 SHOULD BE LOCKED.
- ケーブル挿入深さ
INSERTION DEPTH OF CABLE.
- パターン書き込み禁止エリア。
NO FOOT PRINT AREA.

REVISED EC NO: J2014-1471 DRWN:AYOSHI 01 2014/04/16 CHKD:YKOBAYASHI 02 2014/04/16 APPR:YNOGAWA 2014/04/17	GENERAL TOLERANCES (UNLESS SPECIFIED)		DIMENSION STYLE MM ONLY	SCALE ---	DESIGN UNITS METRIC	THIRD ANGLE PROJECTION
	10 UNDER	±0.2	DRAWN BY MTAKAHASHI 104	DATE 2013/07/24	TITLE 1.0 FPC CONN. ZIF SMT (SHEET 1 OF 2)	
	10 OVER 30 UNDER	±0.25	CHECKED BY KTAKAHASHI	DATE 2013/07/24		
	30 OVER	±0.3	APPROVED BY YNOGAWA	DATE 2013/10/07		
ANGULAR ±3 °		MATERIAL NO. SEE CHART		THIS DRAWING CONTAINS INFORMATION THAT IS PROPRIETARY TO MOLEX INCORPORATED AND SHOULD NOT BE USED WITHOUT WRITTEN PERMISSION		
DRAFT WHERE APPLICABLE MUST REMAIN WITHIN DIMENSIONS		SIZE A3				

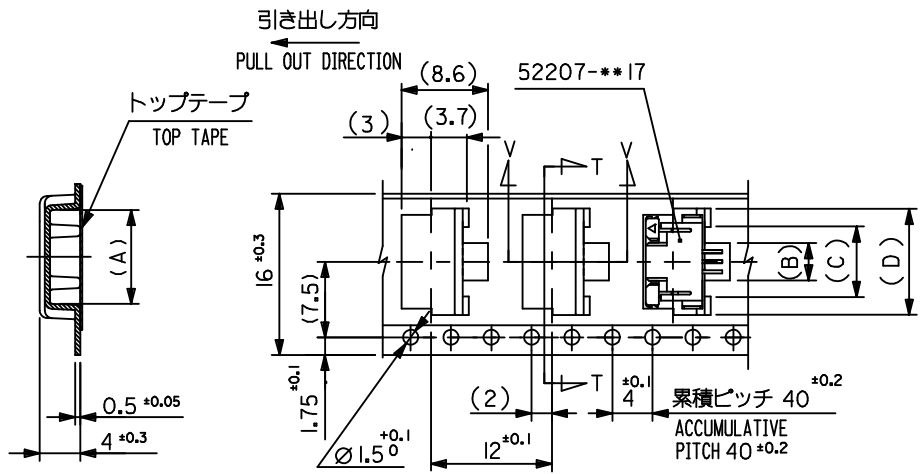


断面D-D
SECT.D-D



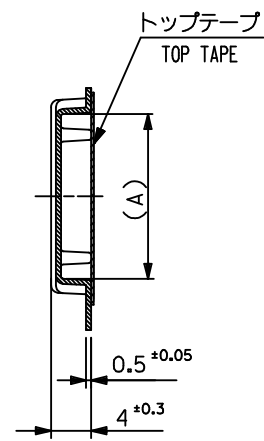
下面図
BOTTOM VIEW

REVISED EC NO: J2014-1471 DRWN:AYOSHI 2014/04/09 CHKD:YKOBAYASHI 2014/04/09 APPR:YNOGAWA 2014/04/17	GENERAL TOLERANCES (UNLESS SPECIFIED)		DIMENSION STYLE MM ONLY	SCALE ---	DESIGN UNITS METRIC	THIRD ANGLE PROJECTION
	10 UNDER	±0.2	DRAWN BY MTAKAHASHI04	DATE 2013/07/24	TITLE 1.0 FPC CONN ZIF SMT SHEET 2 OF 2	
	10 OVER 30 UNDER	±0.25	CHECKED BY KTAKAHASHI	DATE 2013/07/24		
	30 OVER	±0.3	APPROVED BY YNOGAWA	DATE 2013/10/07		
ANGULAR ±3 °	DRAFT WHERE APPLICABLE MUST REMAIN WITHIN DIMENSIONS		MATERIAL NO. SEE SHEET 1 OF 2	DOCUMENT NO. SD-52207-071	SHEET NO. 2 OF 2	
B			SIZE A3	THIS DRAWING CONTAINS INFORMATION THAT IS PROPRIETARY TO MOLEX INCORPORATED AND SHOULD NOT BE USED WITHOUT WRITTEN PERMISSION		

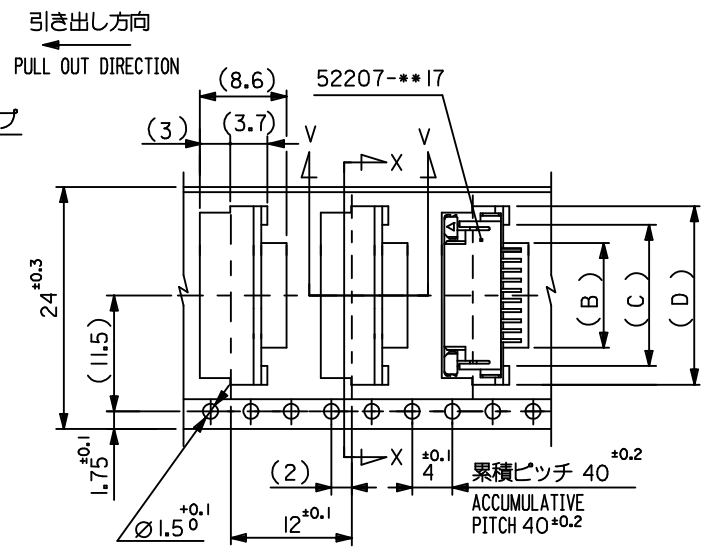


SECT:T-T

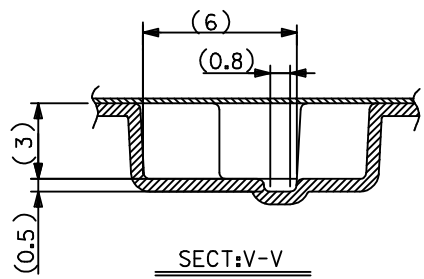
16mm 幅 キャリアテープ
16mm WIDTH CARRIER TAPE



SECT:X-X



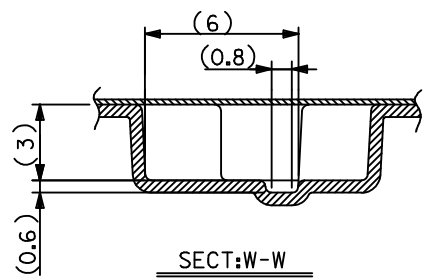
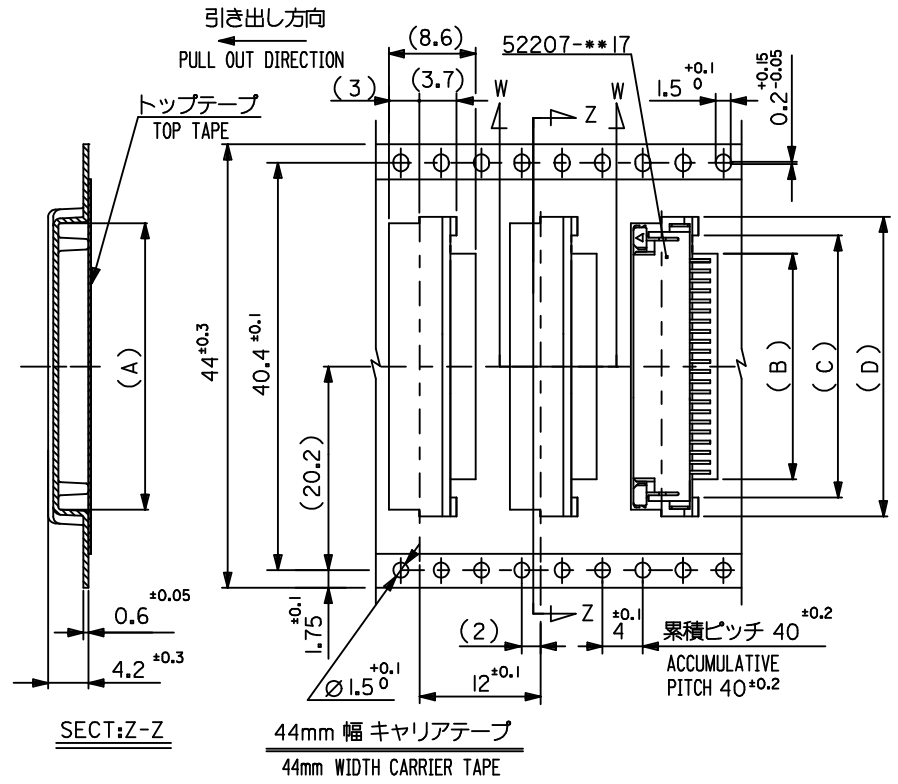
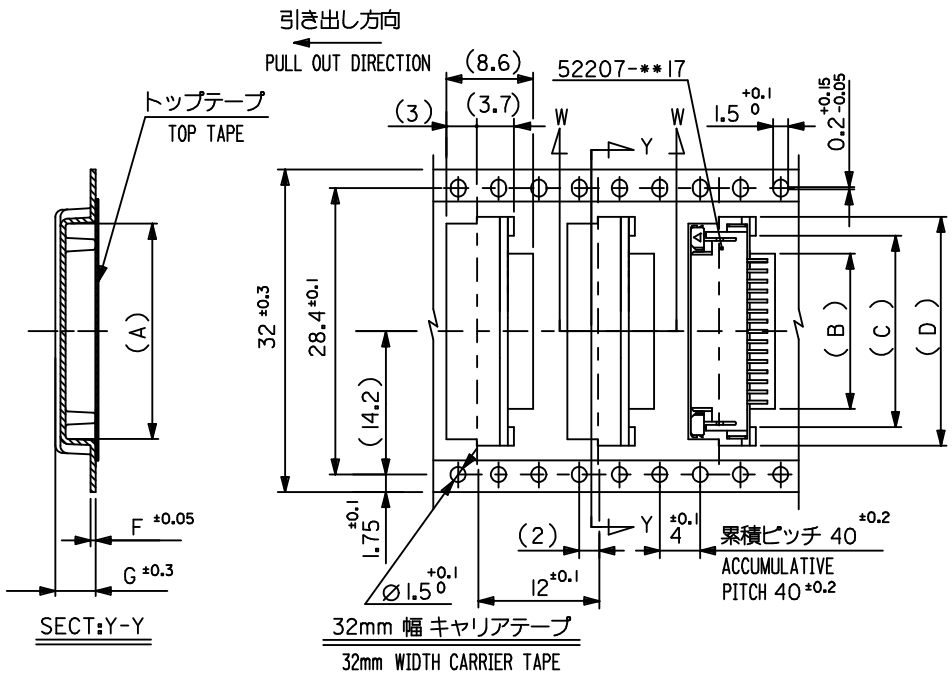
24mm 幅 キャリアテープ
24mm WIDTH CARRIER TAPE



SECT:V-V

24	25.5	18.5	15	11.7	17.3	52207-1190	11
		17.5	14	10.7	16.3	4 -1090	10
		16.5	13	9.7	15.3	-0990	9
		15.5	12	8.7	14.3	-0890	8
		14.5	11	7.7	13.3	-0790	7
		13.5	10	6.7	12.3	-0690	6
16	17.5	10.5	7	3.7	9.3	52207-0390	3
キャリアテープ幅 CARRIER TAPE WIDTH	E	(D)	(C)	(B)	(A)	ENG. NO.	極致 CKT.

REVISED EC NO: J2014-1471 DRWN: AYOSHI I 2014/04/16 CHKD: YKOBAYASHI 022014/04/16 APPR: YNOGAWA 2014/04/17	GENERAL TOLERANCES (UNLESS SPECIFIED)		DIMENSION STYLE MM ONLY		SCALE ---	DESIGN UNITS METRIC		THIRD ANGLE PROJECTION			
	10 UNDER ± --- 10 OVER 30 UNDER ± --- 30 OVER ± --- ANGULAR ± --- ° DRAFT WHERE APPLICABLE MUST REMAIN WITHIN DIMENSIONS	DRAWN BY MTAKAHASHI 04 DATE 2013/07/24	CHECKED BY KTAKAHASHI DATE 2013/07/24	TITLE EMBOSSED TAPE PACKAGE FOR 52207-***17 SHEET 1 OF 3							
		APPROVED BY YNOGAWA DATE 2013/10/07	MATERIAL NO. SEE CHART							DOCUMENT NO. SD-52207-072	SHEET NO. 1 OF 3
	THIS DRAWING CONTAINS INFORMATION THAT IS PROPRIETARY TO MOLEX INCORPORATED AND SHOULD NOT BE USED WITHOUT WRITTEN PERMISSION										

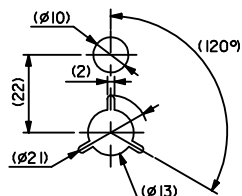
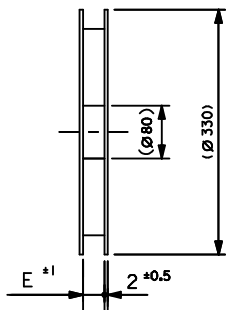
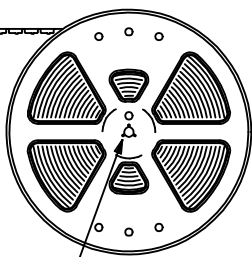


32	33.5	4.0	0.5	23.5	20	16.7	22.35	52207-1690	16
		4.2	0.6	22.5	19	15.7	21.35	4-1590	15
		4.2	0.6	21.5	18	14.7	20.35	7-1490	14
		4.2	0.6	19.5	16	12.7	18.35	52207-1290	12
キャリアテープ幅 CARRIER TAPE WIDTH	E	(G)	(F)	(D)	(C)	(B)	(A)	ENG. NO.	極致 CKT.

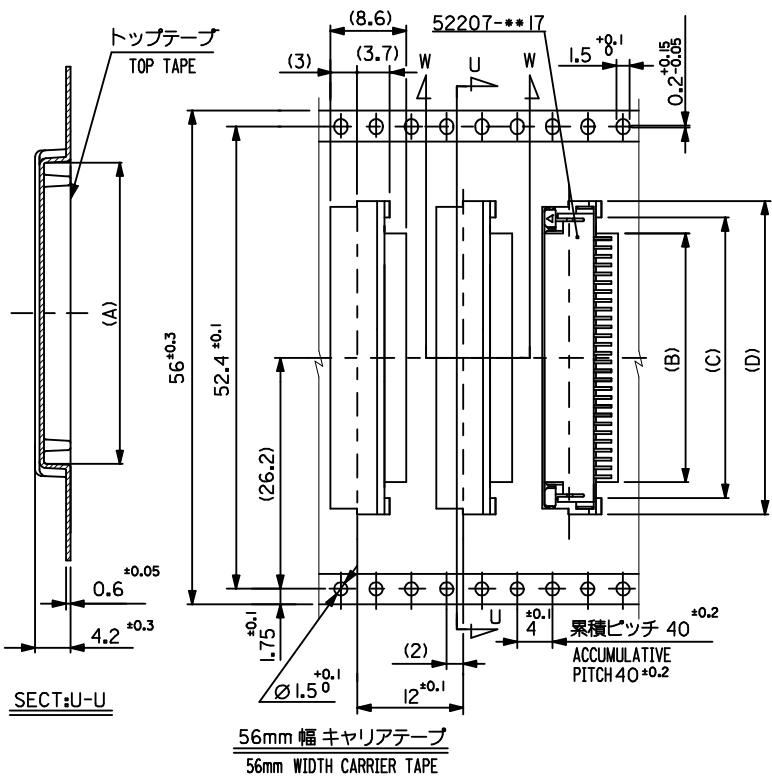
44	45.5	34.5	31	27.7	33.35	52207-2790	27
		32.5	29	25.7	31.35	4-2590	25
		31.5	28	24.7	30.35	-2490	24
		29.5	26	22.7	28.35	-2290	22
		27.5	24	20.7	26.35	-2090	20
		26.5	23	19.7	25.35	-1990	19
		25.5	22	18.7	24.35	7-1890	18
24.5	21	17.7	23.35	52207-1790	17		
キャリアテープ幅 CARRIER TAPE WIDTH	E	(D)	(C)	(B)	(A)	ENG. NO.	極致 CKT.

REVISED EC NO: J2014-1471 DRWN: AYOSHI I 2014/04/16 CHKD: YKOBAYASHI 2014/04/16 APPR: YNOGAWA 2014/04/17	DESCRIPTION GENERAL TOLERANCES (UNLESS SPECIFIED) 10 UNDER ± --- 10 OVER 30 UNDER ± --- 30 OVER ± --- ANGULAR ± --- ° DRAFT WHERE APPLICABLE MUST REMAIN WITHIN DIMENSIONS	DIMENSION STYLE MM ONLY	SCALE ---	DESIGN UNITS METRIC	THIRD ANGLE PROJECTION		
		DRAWN BY MTAKAHASHI 104	DATE 2013/07/24	TITLE EMBOSSED TAPE PACKAGE FOR 52207-**17 SHEET 2 OF 3			
		CHECKED BY KTAKAHASHI	DATE 2013/07/24	APPROVED BY YNOGAWA 2013/10/07			
		MATERIAL NO. SEE CHART	DOCUMENT NO. SD-52207-072	SHEET NO. 2 OF 3			
SIZE A3 THIS DRAWING CONTAINS INFORMATION THAT IS PROPRIETARY TO MOLEX INCORPORATED AND SHOULD NOT BE USED WITHOUT WRITTEN PERMISSION							

引き出し方向
PULL OUT DIRECTION



DETAIL "F"

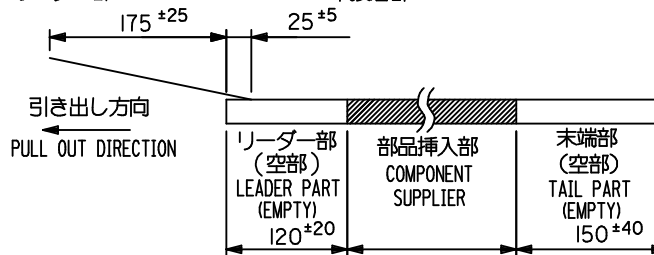


注記

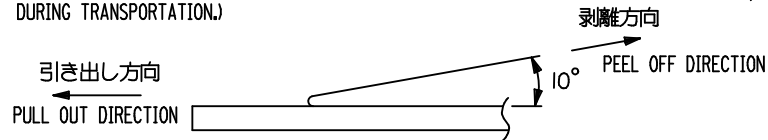
1. 製品番号 52207-***17 の梱包状態はアクチュエータがロックした状態とする。
IN THE PACKAGE, ACTUATOR OF PART NO. 52207-***17 SHOULD BE LOCKED
RE DETAILED DIMENSIONS, SEE SD-52207-071

2. 梱包数量：1000個/リール
NUMBER OF CONNECTORS : 1000PCS/REEL

3. リードテープ長さ(LEAD TAPE LENGTH)
トップテープ TOP TAPE トップテープ TOP TAPE
リーダー部 LEADER PART 未接着部 NON-BONDED PART



4. トップテープの剥離強度：(剥離方向は下図参照)
60gf MAX. 尚、本規格値は、出荷時に適用。(但し、輸送時に剥離が発生しない事。)
PEELING OFF FORCE OF TOP TAPE : 60gf MAX. (PEELING DIRECTION AS SHOWN IN FOLLOWING FIG.)
THIS REQUIREMENT SHOULD BE APPLIED AT SHIPMENT. (PEEL OFF SHOULD NOT BE ALLOWED, DURING TRANSPORTATION.)



5. 材料 (MATERIAL)
キャリアテープ (CARRIER TAPE) : ポリプロピレン (POLYPROPYLENE)
トップテープ (TOPTAPE) : PET, PE, PEF
リール (REEL) : ポリスチレン (PS) <リサイクル材を含む>
POLYSTYREN (PS) <RECYCLE MATERIAL CONTAINED>

56	57.5	41.5	38	34.7	40.35	52207-3490	34	
		37.5	34	30.7	36.35	52207-3090	30	
		36.5	33	29.7	35.35	52207-2990	29	
		35.5	32	28.7	34.35	52207-2890	28	
キャリアテープ幅 CARRIER TAPE WIDTH		E	(D)	(C)	(B)	(A)	ENG. NO.	種数 CKT.

REVISED EC NO: J2014-1471 DRWN: AYOSHI I 01 2014/04/16 CHKD: YKOBAYASHI 022014/04/16 APPR: YNOGAWA 2014/04/17	DESCRIPTION REV	GENERAL TOLERANCES (UNLESS SPECIFIED)		DIMENSION STYLE MM ONLY		SCALE ---	DESIGN UNITS METRIC	THIRD ANGLE PROJECTION	
		10 UNDER	± ---	DRAWN BY MTAKAHASHI	DATE 04 2013/07/24	TITLE EMBOSSED TAPE PACKAGE FOR 52207-***17 SHEET 3 OF 3			
		10 OVER 30 UNDER	± ---	CHECKED BY KTAKAHASHI	DATE 2013/07/24				
		30 OVER	± ---	APPROVED BY YNOGAWA	DATE 2013/10/07				
ANGULAR ± --- °		DRAFT WHERE APPLICABLE MUST REMAIN WITHIN DIMENSIONS		MATERIAL NO. SEE CHART		DOCUMENT NO. SD-52207-072		SHEET NO. 3 OF 3	
SIZE A3		THIS DRAWING CONTAINS INFORMATION THAT IS PROPRIETARY TO MOLEX INCORPORATED AND SHOULD NOT BE USED WITHOUT WRITTEN PERMISSION							