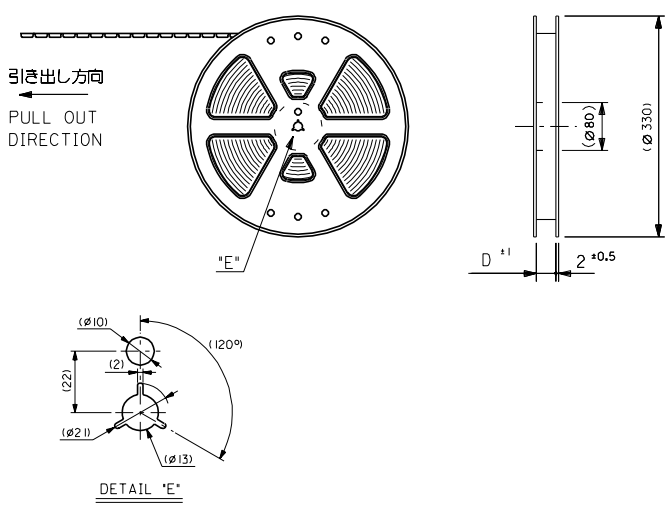


DWG. NO. SD-52435-**-91
 DIMENSIONS IN METRIC DO NOT SCALE DRAWING

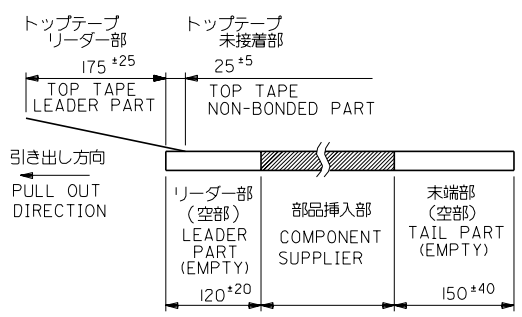
8 7 6 5 4 3 2 1



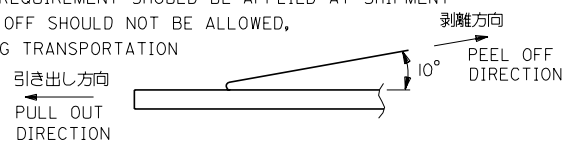
5. 材料 (MATERIAL)
 キャリアテープ (CARRIER TAPE) : ポリプロピレン (POLYPROPYLENE)
 トップテープ (TOPTAPE) : PET, PE, PEF
 リール (REEL) : ポリスチレン (PS) <リサイクル材を含む>
 POLYSTYRENE (PS) <RECYCLE MATERIAL CONTAINED>

注記 NOTES

- 製品番号 52435-**-27 の梱包状態はアクチュエータがロックした状態とする。
 詳細寸法については図面 SD-52435-**-27 を参照下さい。
 IN THE PACKAGE, ACTUATOR OF PART NO.52435-**-27 SHOULD BE LOCKED RE DETAILED DIMENSIONS, SEE SD-52435-**-27
- 梱包数量 : 1000個 / リール
 NUMBER OF CONNECTORS: 1000PCS / REEL
- リードテープ長さ LEAD TAPE LENGTH



- トップテープの剥離強度 : (剥離方向は下図参照)
 0.1N ~ 0.7N (10.2gf ~ 71.4gf) 尚、本規格値は、出荷時に適用。
 (但し、輸送時に剥離が発生しない事。)
 PEELING OFF FORCE OF TOP TAPE
 0.1N ~ 0.7N (10.2gf ~ 71.4gf) (PEELING DIRECTION AS SHOWN IN FOLLOWING FIG.)
 THIS REQUIREMENT SHOULD BE APPLIED AT SHIPMENT
 PEEL OFF SHOULD NOT BE ALLOWED,
 DURING TRANSPORTATION



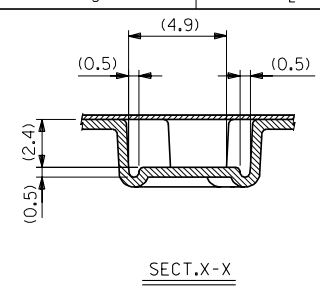
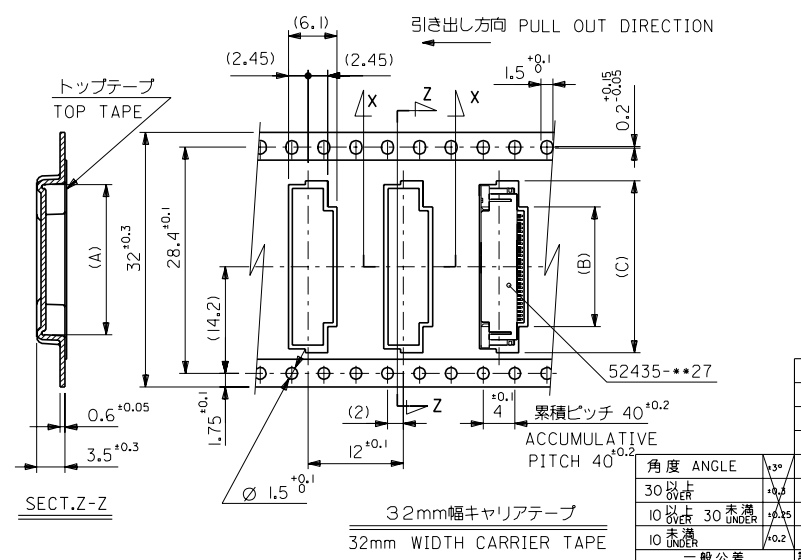
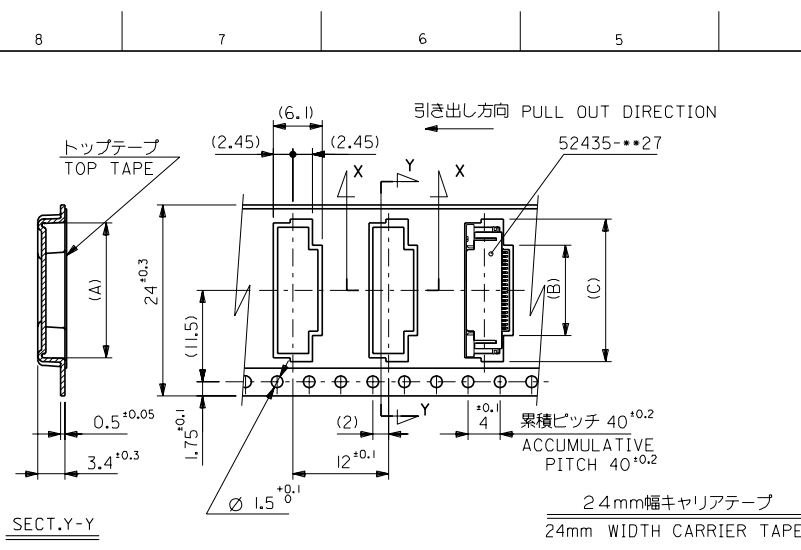
| | | | | |
|---|--|-------------------------------|----------------------------|---|
| F 変更 REVISION (J120010456) | | 材料 MATERIAL | 注記参照 SEE NOTES | MOLEX-JAPAN CO.,LTD. 日本モレックス株式会社 |
| E 変更 REVISION (J41005) | | REVISE ONLY ON CAD SYSTEM | | |
| D 変更 REVISION (J40900) | | 仕上げ FINISH | --- | TITLE 名称 0.5 FPC Conn ZIF SMT R/A With Tape Embstp Pkg |
| C 変更 REVISION (J30060) | | 適用電線範囲 WIRE RANGE | --- | |
| B 変更 REVISION (J20834) | | 被覆外径 INS. RANGE | --- | DWG. NO. (SHEET 1 OF 3) REV SD-52435-**-91 F |
| A 変更 REVISION (J20554) | | DRAWN BY 91/3/29 S.KAJIYUMA | CHK'D BY 00/2/20 S.KUNISHI | |
| O 新規/FEK PROPOSED (J10236) | | APP'D BY 00/12/20 M.FUKUSHIMA | 尺度 SCALE --- | |
| 一般公差 GENERAL TOLERANCES 記号 LTR 変更内容 REVISION RECORD DR. / CHK. 日付 DATE | | | | |

THIS DRAWING CONTAINS INFORMATION THAT IS PROPRIETARY TO MOLEX (JAPAN) AND SHOULD NOT BE USED WITHOUT WRITTEN PERMISSION
 本図面は日本モレックス (株) の所有する情報を含むもので 当社の許可なく複製を禁止する。 EN-01C1032)MXJ-32

8 7 6 5 4 3 2 1

DWG. NO. SD-52435-**-91

DIMENSIONS IN METRIC DO NOT SCALE DRAWING



| | | | | | | |
|------|------|------|------------|------|------------|----|
| 32 | 33.5 | 22.4 | 15.8 | 21.4 | 52435-2991 | 29 |
| | | 21.9 | 15.3 | 20.9 | -2891 | 28 |
| | | 21.4 | 14.8 | 20.4 | -2791 | 27 |
| | | 20.9 | 14.3 | 19.9 | -2691 | 26 |
| | | 20.4 | 13.8 | 19.4 | -2591 | 25 |
| | | 19.9 | 13.3 | 18.9 | -2491 | 24 |
| | | 19.4 | 12.8 | 18.4 | -2391 | 23 |
| | | 18.9 | 12.3 | 17.9 | -2291 | 22 |
| | | 17.9 | 11.3 | 16.9 | -2091 | 20 |
| | | 17.4 | 10.8 | 16.4 | -1991 | 19 |
| 24 | 25.5 | 16.9 | 10.3 | 15.9 | -1891 | 18 |
| | | 16.4 | 9.8 | 15.4 | -1791 | 17 |
| | | 15.9 | 9.3 | 14.9 | -1691 | 16 |
| | | 15.4 | 8.8 | 14.4 | -1591 | 15 |
| | | 14.9 | 8.3 | 13.9 | -1491 | 14 |
| | | 14.4 | 7.8 | 13.4 | -1391 | 13 |
| | | 13.9 | 7.3 | 12.9 | -1291 | 12 |
| | | 13.4 | 6.8 | 12.4 | -1191 | 11 |
| | | 12.9 | 6.3 | 11.9 | -1091 | 10 |
| | | 12.4 | 5.8 | 11.4 | -0991 | 9 |
| 11.9 | 5.3 | 10.9 | -0891 | 8 | | |
| 11.4 | 4.8 | 10.4 | -0791 | 7 | | |
| 10.9 | 4.3 | 9.9 | 52435-0691 | 6 | | |

| | | | |
|-------------------------|-------|-----------------------|-----------------|
| 角度 ANGLE | 130° | 材料 MATERIAL | SHEET 1 OF 3 参照 |
| 30以上 OVER | +0.2 | REFER TO SHEET 1 OF 3 | |
| 10以上 30 UNDER | +0.25 | REVISION RECORD | |
| 10 UNDER | +0.2 | DATE | |
| 一般公差 GENERAL TOLERANCES | | DATE | |

MOLEX JAPAN CO., LTD.
日本モレックス株式会社

REVISE ONLY ON CAD SYSTEM

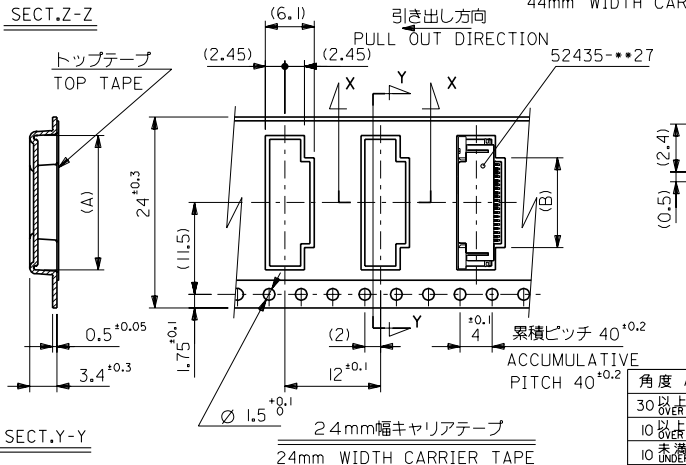
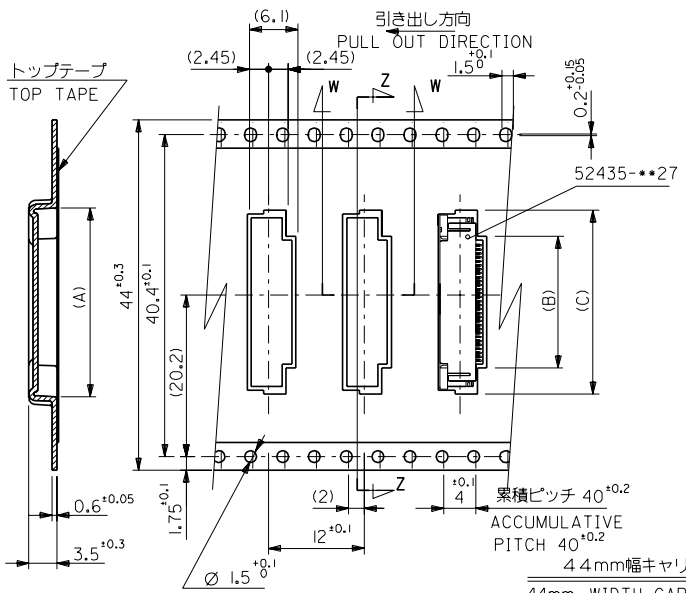
TITLE 名称
0.5 FPC Conn ZIF
SMT R/A
With Tape Embstp Pkg

DWG. NO. (SHEET 2 OF 3) REV
SD-52435-**-91

THIS DRAWING CONTAINS INFORMATION THAT IS PROPRIETARY TO MOLEX/JAPAN AND SHOULD NOT BE USED WITHOUT WRITTEN PERMISSION
本図面は日本モレックス(株)の所有する情報を含むもので、当社の許可なく複製を禁止する。

DWG. NO. SD-52435-***91

DIMENSIONS IN METRIC DO NOT SCALE DRAWING



| | | | | | | |
|--------------------------------|------|------|------|------|------------|---------------|
| 44 | 45.5 | 22.9 | 16.3 | 21.9 | 52435-3091 | 30 |
| キャリアテープ幅 CARRIER TAPE WIDTH | D | (C) | (B) | (A) | ENG. NO. | 極数 CIRCUIT |

| | | | | | |
|--------------------------------|------|------|------|------------|---------------|
| 24 | 25.5 | 11.8 | 17.4 | 52435-2191 | 21 |
| キャリアテープ幅 CARRIER TAPE WIDTH | D | (B) | (A) | ENG. NO. | 極数 CIRCUIT |

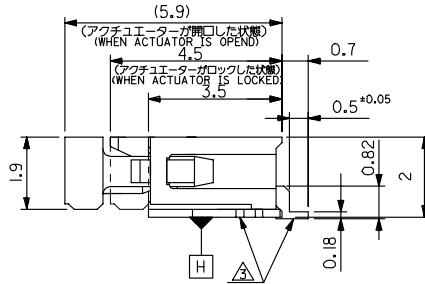
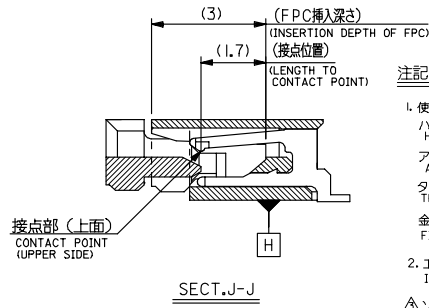
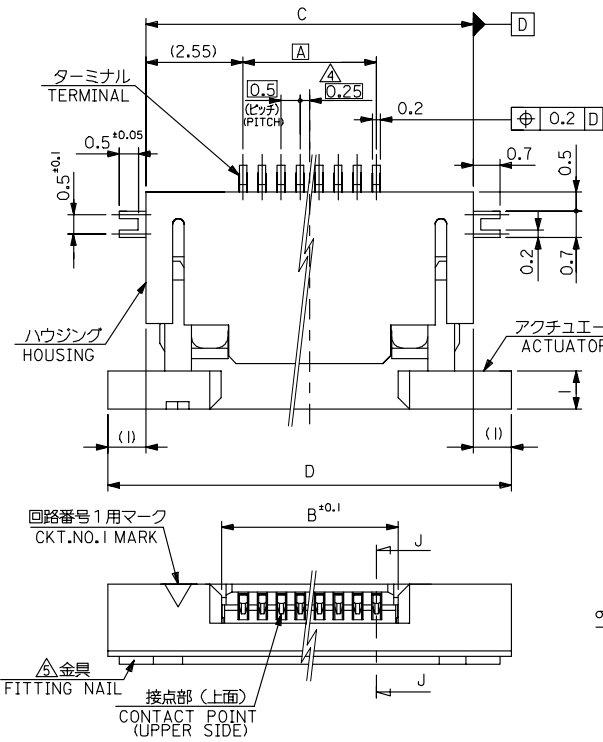
| | | | | | |
|-------------------------|------|----|------|-----|--|
| 角度 ANGLE | 130 | | | | |
| 30以上 OVER | 0.5 | | | | |
| 10以上 未過 UNDER | 0.25 | | | | |
| 10 UNDER | 0.2 | | | | |
| 記号 LTR | 変更内容 | DR | DATE | CHK | |
| 一般公差 GENERAL TOLERANCES | | | | | |

| | |
|-------------------|-------------------------|
| 材料 MATERIAL | SHEET 1 OF 3 参照 |
| FINISH | REFER TO SHEET 1 OF 3 |
| 適用電線範囲 WIRE RANGE | --- |
| 被覆外径 INS. RANGE | --- |
| DRAWN BY | 94/12/13 S.KAJIYAMA |
| CHK'D BY | 94/12/13 Y.M.HIJIRAMOTO |
| APP'D BY | 94/12/13 M.FUKUSHIMA |
| 尺度 SCALE | --- |

THIS DRAWING CONTAINS INFORMATION THAT IS PROPRIETARY TO MOLEX/JAPAN AND SHOULD NOT BE USED WITHOUT WRITTEN PERMISSION
 本図面は日本モレックス(株)の所有する情報を含むもので 当社の許可なく複製を禁止する。
 EN-01C(032)MXJ-32

10 9 8 7 6 5 4 3 2 1

F
E
D
C
B
A



注記 NOTES

1. 使用材料 : MATERIAL
 ハウジング : 46ナイロン, UL94V-0
 HOUSING : 46NYLON
 アクチュエータ : PPS, UL94V-0
 ACTUATOR : PPS, UL94V-0
 ターミナル : リン青銅, 半田メッキ (t=0.2)
 TERMINAL : PHOS-BRO.TIN-LEAD
 金具 : リン青銅, 半田メッキ (t=0.2)
 FITTING NAIL : PHOS-BRO.TIN-LEAD
2. インボスステップ梱包時は、アクチュエータがロックした状態とする。
 IN THE PACKAGE, ACTUATOR OF PART NO.52435-***27 SHOULD BE LOCKED.
- △ソルダータール半田付け面のズレ量、及び金具半田付け面のズレ量は、基準面 H に対し上方向 0.1 MAX. , 下方向 0.15MAX. とする。
 MISALIGNMENT OF SOLDER TAILS AND FITTING NAILS FROM H UPPER DIRECTION: 0.1 MAX. , LOWER DIRECTION: 0.15MAX.
- △偶数極に適用。
 APPLY FOR EVEN CIRCUIT.
- △パターンはくり止め用金具。
 FITTING NAIL FOR PREVENTION OF PEELING OF P.C.B. PATTERN.
- △R.O. 3は、FPCの導体部にかからないこと。
 R.O.3 MUST NOT BE OVERLAPPED TO PATTERN OF FPC.
7. ソルダータールの平坦度は、0.1 MAXIMUM とする。
 SOLDER TAIL COPLANARITY IS 0.1 MAXIMUM.

MODEL NO. 52435-***27

| | | | | | | | |
|---|---------------------------------------|-----------|----------------------------|------------------|--|------------------------|---------------------------|
| REVISED IEC NO. J2005-3592 DRAWN: SUZUKI 2005/06/13 CHKD: KATOYODA 2005/06/13 APPR: NIKIITA 2005/06/13 REV H | GENERAL TOLERANCES (UNLESS SPECIFIED) | | DIMENSION STYLE MM ONLY | | SCALE --- | DESIGN UNITS METRIC | THIRD ANGLE PROJECTION |
| | 10 UNDER | ±0.2 | DRAWN BY SKAJ INUMA | DATE 91/10/31 | TITLE 0.5 FPC CONN ZIF FOR SMT R/A (UPPER CONTACT) | | |
| | 10 OVER 30 UNDER | ±0.25 | CHECKED BY MFUKUSHIMA | DATE 97/07/15 | | | |
| | 30 OVER | ±0.3 | APPROVED BY MFUKUSHIMA | DATE 97/07/15 | | | |
| | ANGULAR ±3 ° | | MATERIAL NO. | | DOCUMENT NO. | | SHEET NO. |
| DRAFT WHERE APPLICABLE MUST REMAIN WITHIN DIMENSIONS | | SEE CHART | | SD-52435-018 | | 1 OF 2 | |

tb_frame_A3_J_ME_S
Rev. D 2004/04/02

9 8 7 6 5 4 3 2 1 EN-02JA(021)

10 9 8 7 6 5 4 3 2 1

F

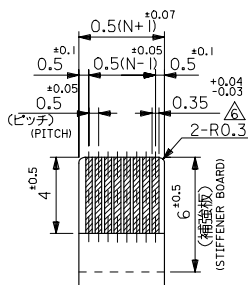
E

D

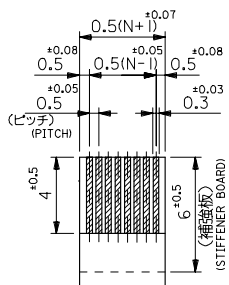
C

B

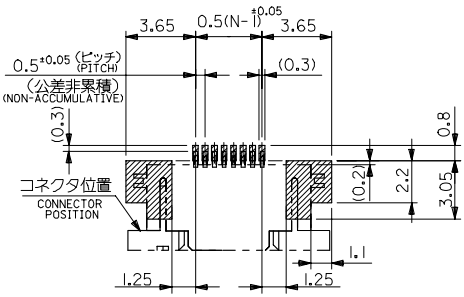
A



適合FPC推奨寸法
APPLICABLE FPC
RECOMMENDED DIMENSION
(仕上がり厚さ: 0.3^{+0.05})
(THICKNESS: 0.3^{+0.05})



適合FPC推奨寸法
APPLICABLE FPC
RECOMMENDED DIMENSION
(仕上がり厚さ: 0.3^{+0.05})
(THICKNESS: 0.3^{+0.05})



参考基板レイアウト
(マウント面)
RECOMMENDED P.C.BOARD
PATTERN DIMENSION (REF.)
(MOUNTING SIDE)

| | | | | | |
|------|------|-------|------|------------|----|
| 21.6 | 19.6 | 15.65 | 14.5 | 52435-3027 | 30 |
| 21.1 | 19.1 | 15.15 | 14.0 | -2927 | 29 |
| 20.6 | 18.6 | 14.65 | 13.5 | -2827 | 28 |
| 20.1 | 18.1 | 14.15 | 13.0 | -2727 | 27 |
| 19.6 | 17.6 | 13.65 | 12.5 | -2627 | 26 |
| 19.1 | 17.1 | 13.15 | 12.0 | -2527 | 25 |
| 18.6 | 16.6 | 12.65 | 11.5 | -2427 | 24 |
| 18.1 | 16.1 | 12.15 | 11.0 | -2327 | 23 |
| 17.6 | 15.6 | 11.65 | 10.5 | -2227 | 22 |
| 17.1 | 15.1 | 11.15 | 10.0 | -2127 | 21 |
| 16.6 | 14.6 | 10.65 | 9.5 | -2027 | 20 |
| 16.1 | 14.1 | 10.15 | 9.0 | -1927 | 19 |
| 15.6 | 13.6 | 9.65 | 8.5 | -1827 | 18 |
| 15.1 | 13.1 | 9.15 | 8.0 | -1727 | 17 |
| 14.6 | 12.6 | 8.65 | 7.5 | -1627 | 16 |
| 14.1 | 12.1 | 8.15 | 7.0 | -1527 | 15 |
| 13.6 | 11.6 | 7.65 | 6.5 | -1427 | 14 |
| 13.1 | 11.1 | 7.15 | 6.0 | -1327 | 13 |
| 12.6 | 10.6 | 6.65 | 5.5 | -1227 | 12 |
| 12.1 | 10.1 | 6.15 | 5.0 | -1127 | 11 |
| 11.6 | 9.6 | 5.65 | 4.5 | -1027 | 10 |
| 11.1 | 9.1 | 5.15 | 4.0 | -0927 | 9 |
| 10.6 | 8.6 | 4.65 | 3.5 | -0827 | 8 |
| 10.1 | 8.1 | 4.15 | 3.0 | -0727 | 7 |
| 9.6 | 7.6 | 3.65 | 2.5 | 52435-0627 | 6 |

MODEL NO. 52435-**27 D C B (A) MATERIAL NO. 52435-0627

| | | | | | | | |
|---|---------------------------------------|-------|----------------------------|--|--|------------------------|------------------------|
| REVISED IEC NO. J2005-3592 DRAWN: SUZUKI 2005/06/13 CHECKED: YODA 2005/06/13 APPROVED: MIYATA 2005/06/13 H | GENERAL TOLERANCES (UNLESS SPECIFIED) | | DIMENSION STYLE MM ONLY | | SCALE --- | DESIGN UNITS METRIC | THIRD ANGLE PROJECTION |
| | 10 UNDER | ±0.2 | DRAWN BY SKAJ INUMA | DATE 91/10/31 | TITLE 0.5 FPC CONN ZIF FOR SMT R/A (UPPER CONTACT) | | |
| | 10 OVER 30 UNDER | ±0.25 | CHECKED BY MFUKUSHIMA | DATE 97/07/15 | | | |
| | 30 OVER | ±0.3 | APPROVED BY MFUKUSHIMA | DATE 97/07/15 | MOLEX INCORPORATED | | |
| | ANGULAR | ±3 ° | MATERIAL NO. SEE CHART | | | | |
| DRAFT WHERE APPLICABLE MUST REMAIN WITHIN DIMENSIONS | | | SIZE A3 | THIS DRAWING CONTAINS INFORMATION THAT IS PROPRIETARY TO MOLEX INCORPORATED AND SHOULD NOT BE USED WITHOUT WRITTEN PERMISSION | | | |