

DETAIL "E"

5. 材料 (MATERIAL)

キャリアテープ (CARRIER TAPE): ポリプロピレン (POLYPROPYLENE)
 トップテープ (TOPTAPE): PET, PE, PEF
 リール (REEL): ポリスチレン (PS) <リサイクル材を含む>
 POLYSTYREN (PS) <RECYCLE MATERIAL CONTAINED>

6. 本製品は52435-***91の鉛フリー品です。
 THIS PRODUCT IS LEAD FREE OF 52435-***91.

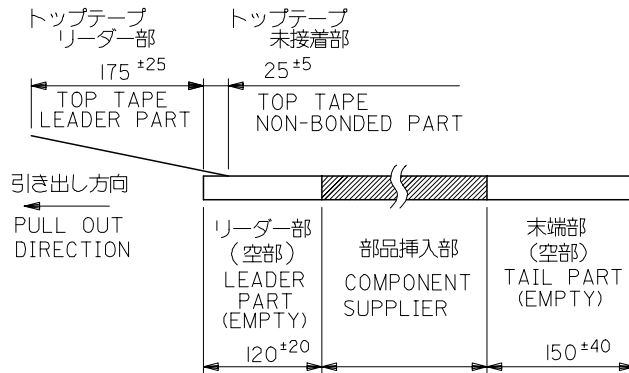
7. MATERIAL NO.

52435-***7*

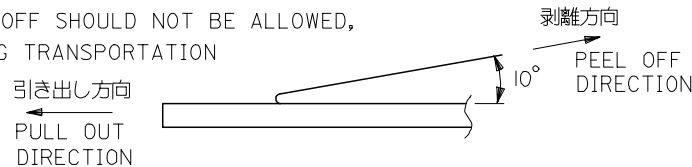
2	NATURAL
3	BLACK

注記 NOTES

- 製品番号 52435-***26 の梱包状態はアクチュエータがロックした状態とする。
 詳細寸法については図面 SD-52435-019 を参照下さい。
 IN THE PACKAGE, ACTUATOR OF PART NO. 52435-***26 SHOULD BE LOCKED RE DETAILED DIMENSIONS, SEE SD-52435-019
- 梱包数量: 1000個/リール
 NUMBER OF CONNECTORS: 1000PCS/REEL
- リードテープ長さ LEAD TAPE LENGTH

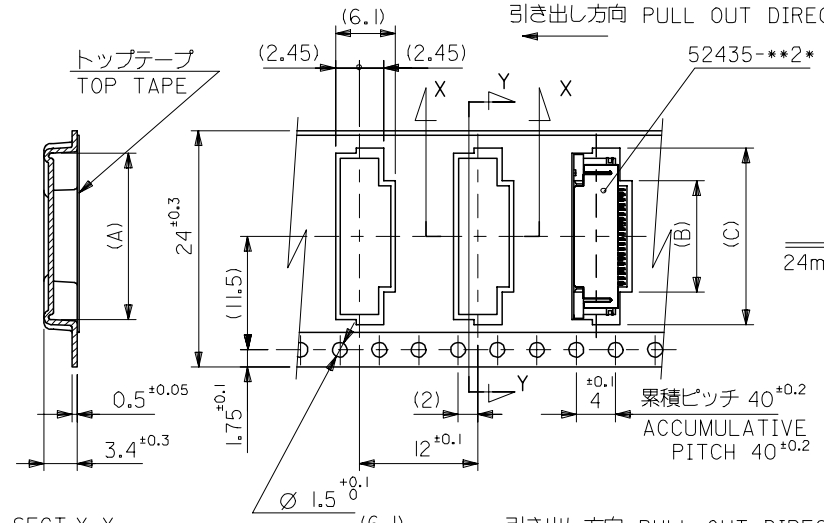


- トップテープの剥離強度: (剥離方向は下図参照)
 0.1N ~ 1.3N (10gf ~ 130gf) 尚、本規格値は、出荷時に適用。
 (但し、輸送時に剥離が発生しない事。)
 PEELING OFF FORCE OF TOP TAPE
 0.1N ~ 1.3N (10gf ~ 130gf) (PEELING DIRECTION AS SHOWN IN FOLLOWING FIG.)
 THIS REQUIREMENT SHOULD BE APPLIED AT SHIPMENT
 PEEL OFF SHOULD NOT BE ALLOWED,
 DURING TRANSPORTATION

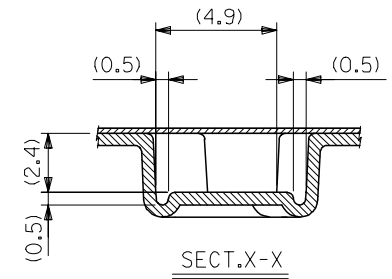


REVISED EC NO: J2006-1608 DRWN: MAEDA CHKD: NUKITA APPR: NUKITA	DESCRIPTION 2005/11/15 2005/11/16 2005/11/21	GENERAL TOLERANCES (UNLESS SPECIFIED)		DIMENSION STYLE MM ONLY		SCALE ---	DESIGN UNITS METRIC	THIRD ANGLE PROJECTION		
		10 UNDER	±0.2	DRAWN BY YMAEDA	DATE 2005/11/11	TITLE 0.5 FPC CONN ZIF SMT R/A WITH TAPE EMBSTP PKG -LEAD FREE-				
		10 OVER 30 UNDER	±0.25	CHECKED BY MTANAKA	DATE 2005/11/11	MOLEX INCORPORATED				
		30 OVER	±0.3	APPROVED BY NUKITA	DATE 2005/11/11	MATERIAL NO. SEE CHART				
A	REV	ANGULAR ±3 °		DRAFT WHERE APPLICABLE MUST REMAIN WITHIN DIMENSIONS		DOCUMENT NO. SD-52435-020		SHEET NO. 1 OF 3		

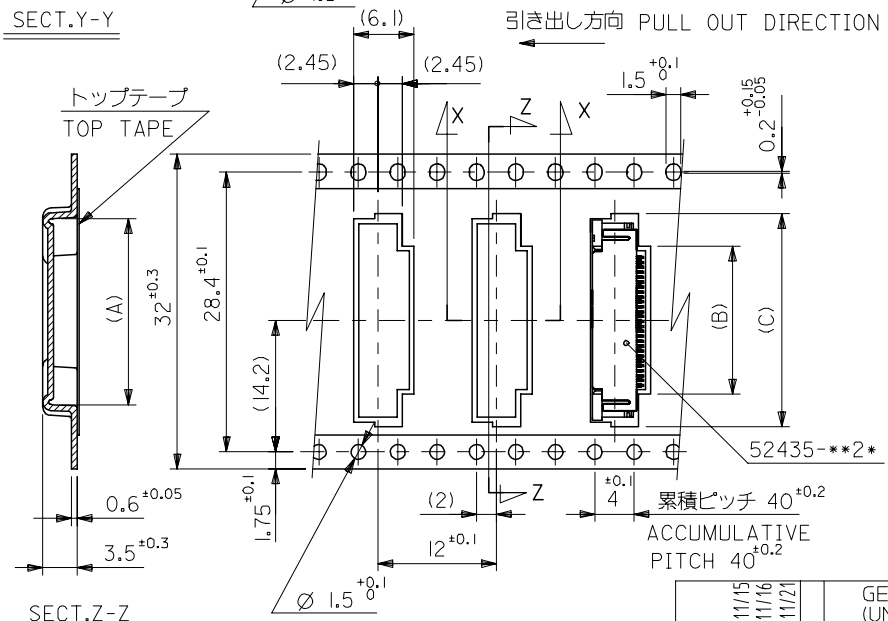
10 9 8 7 6 5 4 3 2 1



24mm幅キャリアテープ
24mm WIDTH CARRIER TAPE



SECT.X-X

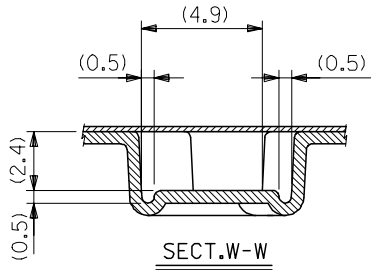
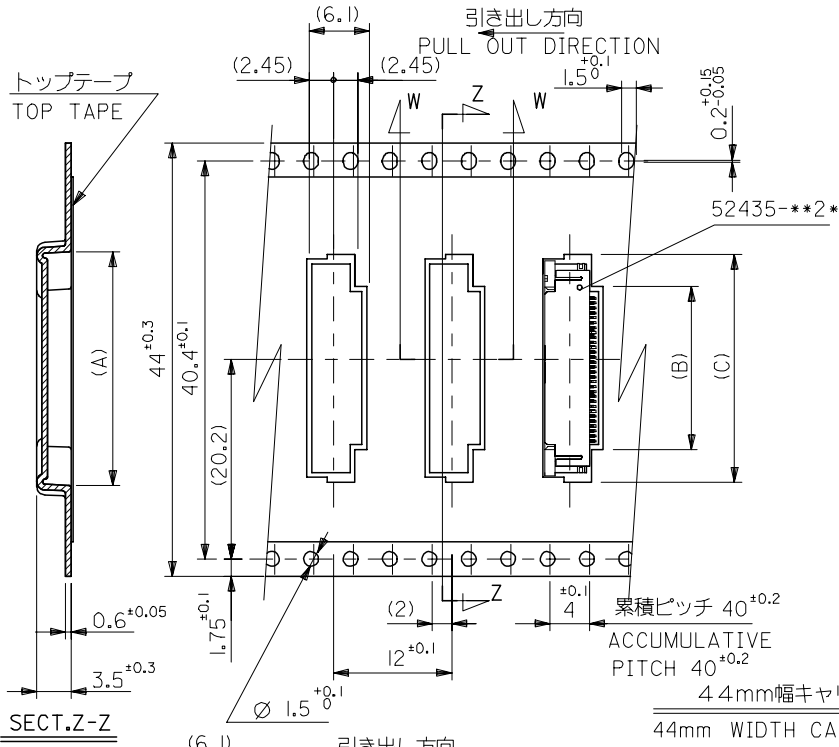


32mm幅キャリアテープ
32mm WIDTH CARRIER TAPE

32	33.5	22.4	15.8	21.4	52435-297 *	29
		21.9	15.3	20.9	-287 *	28
		21.4	14.8	20.4	-277 *	27
		20.9	14.3	19.9	-267 *	26
		20.4	13.8	19.4	-257 *	25
		19.9	13.3	18.9	-247 *	24
		19.4	12.8	18.4	-237 *	23
		18.9	12.3	17.9	-227 *	22
		17.9	11.3	16.9	-207 *	20
		17.4	10.8	16.4	-197 *	19
24	25.5	16.9	10.3	15.9	-187 *	18
		16.4	9.8	15.4	-177 *	17
		15.9	9.3	14.9	-167 *	16
		15.4	8.8	14.4	-157 *	15
		14.9	8.3	13.9	-147 *	14
		14.4	7.8	13.4	-137 *	13
		13.9	7.3	12.9	-127 *	12
		13.4	6.8	12.4	-117 *	11
		12.9	6.3	11.9	-107 *	10
		12.4	5.8	11.4	-097 *	9
11.9	5.3	10.9	-087 *	8		
11.4	4.8	10.4	-077 *	7		
10.9	4.3	9.9	52435-067 *	6		

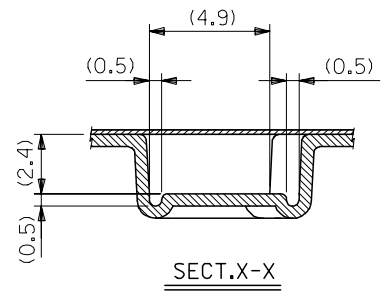
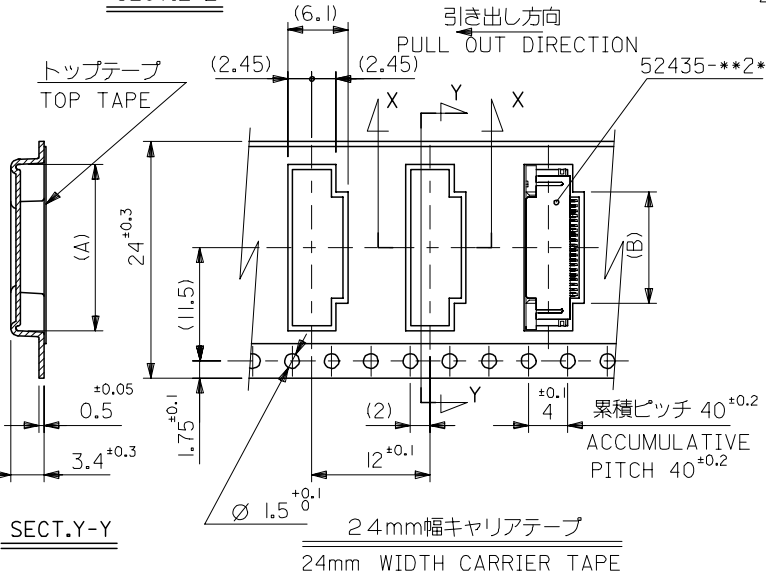
キャリアテープ幅 CARRIER TAPE WIDTH D (C) (B) (A) ENG. NO. 極数 CIRCUIT

REVISED EC NO: J2006-1608 DRWN: MAEDA CHKD: NUKITA APPR: NUKITA 2005/11/15 2005/11/16 2005/11/21	GENERAL TOLERANCES (UNLESS SPECIFIED)		DIMENSION STYLE	SCALE	DESIGN UNITS	THIRD ANGLE PROJECTION	
			MM ONLY	---	METRIC		
	10 UNDER	±0.2	DRAWN BY	DATE	TITLE	0.5 FPC CONN ZIF SMT R/A WITH TAPE EMBSTP PKG -LEAD FREE-	
	10 OVER 30 UNDER	±0.25	YMAEDA	2005/11/11			
	30 OVER	±0.3	CHECKED BY	DATE		MOLEX INCORPORATED	
		MTANAKA	2005/11/11				
ANGULAR	±3 °	APPROVED BY	DATE		DOCUMENT NO.	SHEET NO.	
		NUKITA	2005/11/11		SD-52435-020	2 OF 3	
DRAFT WHERE APPLICABLE MUST REMAIN WITHIN DIMENSIONS		MATERIAL NO.		SEE CHART			
		SIZE		THIS DRAWING CONTAINS INFORMATION THAT IS PROPRIETARY TO MOLEX INCORPORATED AND SHOULD NOT BE USED WITHOUT WRITTEN PERMISSION			
A		A3					



44	45.5	22.9	16.3	21.9	52435-307*	30
キャリアテープ幅 CARRIER TAPE WIDTH	D	(C)	(B)	(A)	ENG. NO.	極数 CIRCUIT

44mm幅キャリアテープ
44mm WIDTH CARRIER TAPE



24	25.5	11.8	17.4	52435-217*	21
キャリアテープ幅 CARRIER TAPE WIDTH	D	(B)	(A)	ENG. NO.	極数 CIRCUIT

24mm幅キャリアテープ
24mm WIDTH CARRIER TAPE

REVISED EC NO: J2006-1608 DRWN: MAEDA CHKD: NUKITA APPR: NUKITA 2005/11/15 2005/11/16 2005/11/21	GENERAL TOLERANCES (UNLESS SPECIFIED)		DIMENSION STYLE MM ONLY		SCALE ---	DESIGN UNITS METRIC	THIRD ANGLE PROJECTION
	10 UNDER	±0.2	DRAWN BY YMAEDA	DATE 2005/11/11	TITLE 0.5 FPC CONN ZIF SMT R/A WITH TAPE EMBSTP PKG -LEAD FREE-		
	10 OVER 30 UNDER	±0.25	CHECKED BY MTANAKA	DATE 2005/11/11			
	30 OVER	±0.3	APPROVED BY NUKITA	DATE 2005/11/11	MOLEX INCORPORATED		
	ANGULAR	±3 °	MATERIAL NO.	DOCUMENT NO. SD-52435-020			
DRAFT WHERE APPLICABLE MUST REMAIN WITHIN DIMENSIONS		SEE CHART		THIS DRAWING CONTAINS INFORMATION THAT IS PROPRIETARY TO MOLEX INCORPORATED AND SHOULD NOT BE USED WITHOUT WRITTEN PERMISSION			