

注記 NOTES

- 使用材料 : MATERIAL
 ハウジング : 46ナイロン, UL94V-0
 46NYLON
 アクチュエータ : PPS, UL94V-0
 ACTUATOR
 ターミナル : リン青銅 (t=0.2)
 TERMINAL PHOS-BRO
 : 錫ビスマスマメッキ 1.0マイクロメートル以上
 TIN-BISMUTH I.O. MICROMETER MINIMUM
 : ニッケル下地 1.0マイクロメートル以上
 NICKEL (UNDER PLATING) I.O. MICROMETER MINIMUM
 金具 : リン青銅 (t=0.2)
 FITTING NAIL PHOS-BRO
 : 錫メッキ 1.0マイクロメートル以上
 TIN I.O. MICROMETER MINIMUM
 : ニッケル下地 1.0マイクロメートル以上
 NICKEL (UNDER PLATING) I.O. MICROMETER MINIMUM
- エンボステープ梱包時は、アクチュエータがロックした状態とする。
 IN THE PACKAGE, ACTUATOR OF PART NO.52435-**26 SHOULD BE LOCKED.
- △ソルダーテール半田付け面のズレ量、及び金具半田付け面のズレ量は、基準面 H に対し上方向 0.1 MAX. , 下方向 0.15MAX. とする。
 MISALIGNMENT OF SOLDER TAILS AND FITTING NAILS FROM H UPPER DIRECTION: 0.1 MAX. , LOWER DIRECTION: 0.15MAX.
- △偶数極に適用。
 APPLY FOR EVEN CIRCUIT.
- △パターンはくり止め用金具。
 FITTING NAIL FOR PREVENTION OF PEELING OF P.C.B. PATTERN.
- △R0.3は、FPCの導体部にかからないこと。
 R0.3 MUST NOT BE OVERLAPPED TO PATTERN OF FPC.
- 本製品は52435-**27の鉛フリー品です。
 THIS PRODUCT IS LEAD FREE OF 52435-**27.
- MATERIAL NO.
 52435-**2*

1	BLACK
6	NATURAL

REVISED EC NO: J2006-1608 DRWN: MAEDA CHKD: NUKITA APPR: NUKITA	DESCRIPTION 2005/11/15 2005/11/16 2005/11/21	GENERAL TOLERANCES (UNLESS SPECIFIED)		DIMENSION STYLE MM ONLY		SCALE ---	DESIGN UNITS METRIC	THIRD ANGLE PROJECTION		
		10 UNDER	±0.2	DRAWN BY YMAEDA	DATE 2005/11/10	TITLE 0.5 FPC CONN ZIF FOR SMT R/A (TOP CONTACT) -LEAD FREE-				
		10 OVER 30 UNDER	±0.25	CHECKED BY MTANAKA	DATE 2005/11/10	MOLEX INCORPORATED				
		30 OVER	±0.3	APPROVED BY NUKITA	DATE 2005/11/10	DOCUMENT NO. SD-52435-019				
		ANGULAR	±3 °	MATERIAL NO. SEE CHART		SHEET NO. 1 OF 2				
DRAFT WHERE APPLICABLE MUST REMAIN WITHIN DIMENSIONS		SIZE A3		THIS DRAWING CONTAINS INFORMATION THAT IS PROPRIETARY TO MOLEX INCORPORATED AND SHOULD NOT BE USED WITHOUT WRITTEN PERMISSION						

F

E

D

C

B

A

F

E

D

C

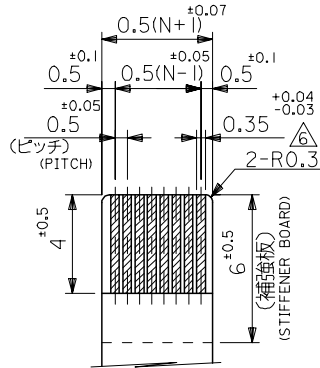
B

A

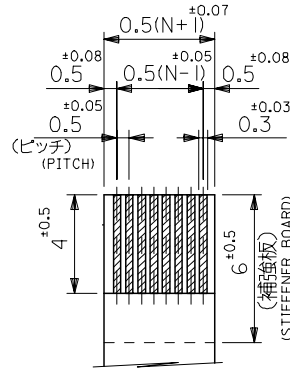
FPCについて：
 打抜き方向は導体側から補強板側を推奨致します。
 補強フィルム材質はポリイミドを推奨致します。
 接着剤は熱硬化接着剤を推奨致します。

ABOUT FPC:

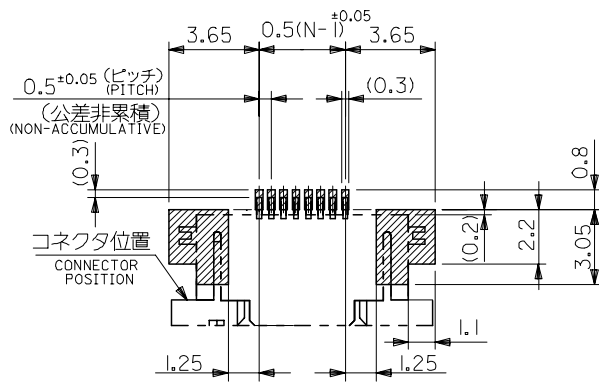
RECOMMENDED PUNCHER DIRECTION : FROM CONDUCTOR SIDE TO STIFFENER BOARD SIDE.
 RECOMMENDED MATERIAL :
 STIFFENER FILM : POLYIMIDE
 BONDING AGENT : THERMOSETTING BONDING AGENT



適合FPC推奨寸法
 APPLICABLE FPC
 RECOMMENDED DIMENSION.
 (仕上がり厚さ: 0.3 ± 0.05)
 (THICKNESS: 0.3 ± 0.05)



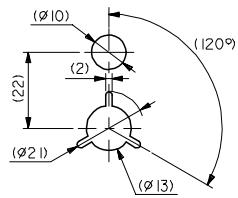
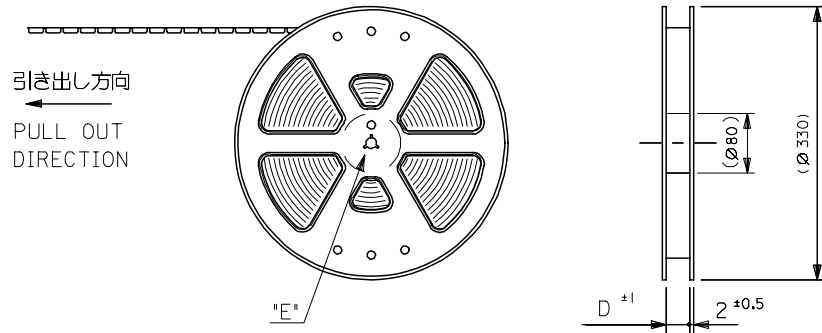
適合FFC推奨寸法
 APPLICABLE FFC
 RECOMMENDED DIMENSION.
 (仕上がり厚さ: 0.3 ± 0.05)
 (THICKNESS: 0.3 ± 0.05)



参考基板レイアウト
 (マウント面)
 RECOMMENDED P.C. BOARD
 PATTERN DIMENSION (REF.)
 (MOUNTING SIDE)

21.6	19.6	15.65	14.5	52435-302*	30
21.1	19.1	15.15	14.0	-292*	29
20.6	18.6	14.65	13.5	-282*	28
20.1	18.1	14.15	13.0	-272*	27
19.6	17.6	13.65	12.5	-262*	26
19.1	17.1	13.15	12.0	-252*	25
18.6	16.6	12.65	11.5	-242*	24
18.1	16.1	12.15	11.0	-232*	23
17.6	15.6	11.65	10.5	-222*	22
17.1	15.1	11.15	10.0	-212*	21
16.6	14.6	10.65	9.5	-202*	20
16.1	14.1	10.15	9.0	-192*	19
15.6	13.6	9.65	8.5	-182*	18
15.1	13.1	9.15	8.0	-172*	17
14.6	12.6	8.65	7.5	-162*	16
14.1	12.1	8.15	7.0	-152*	15
13.6	11.6	7.65	6.5	-142*	14
13.1	11.1	7.15	6.0	-132*	13
12.6	10.6	6.65	5.5	-122*	12
12.1	10.1	6.15	5.0	-112*	11
11.6	9.6	5.65	4.5	-102*	10
11.1	9.1	5.15	4.0	-092*	9
10.6	8.6	4.65	3.5	-082*	8
10.1	8.1	4.15	3.0	-072*	7
9.6	7.6	3.65	2.5	52435-062*	6
D	C	B	(A)	ENG. NO.	極致 PCT.

REVISED EC NO: J2006-1608 DRWN: MAEDA CHKD: NUKITA APPR: NUKITA	2005/11/15 2005/11/16 2005/11/21	GENERAL TOLERANCES (UNLESS SPECIFIED)		DIMENSION STYLE	SCALE	DESIGN UNITS	THIRD ANGLE PROJECTION	
				MM ONLY	---	METRIC		
		10 UNDER	± 0.2	DRAWN BY	DATE	TITLE		
		10 OVER 30 UNDER	± 0.25	YMAEDA	2005/11/10	0.5 FPC CONN ZIF FOR SMT R/A (TOP CONTACT) -LEAD FREE-		
		30 OVER	± 0.3	CHECKED BY	DATE	MOLEX MOLEX INCORPORATED		
ANGULAR	± 3 °	MTANAKA	2005/11/10	APPROVED BY	DATE	MATERIAL NO.	DOCUMENT NO.	
DRAFT WHERE APPLICABLE MUST REMAIN WITHIN DIMENSIONS		NUKITA	2005/11/10	SEE CHART		SD-52435-019	SHEET NO.	
		SIZE		THIS DRAWING CONTAINS INFORMATION THAT IS PROPRIETARY TO MOLEX INCORPORATED AND SHOULD NOT BE USED WITHOUT WRITTEN PERMISSION			2 OF 2	



DETAIL "E"

5. 材料 (MATERIAL)

キャリアテープ (CARRIER TAPE): ポリプロピレン (POLYPROPYLENE)
 トップテープ (TOPTAPE): PET, PE, PEF
 リール (REEL): ポリスチレン (PS) <リサイクル材を含む>
 POLYSTYREN (PS) <RECYCLE MATERIAL CONTAINED>

6. 本製品は52435-***91の鉛フリー品です。

THIS PRODUCT IS LEAD FREE OF 52435-***91.

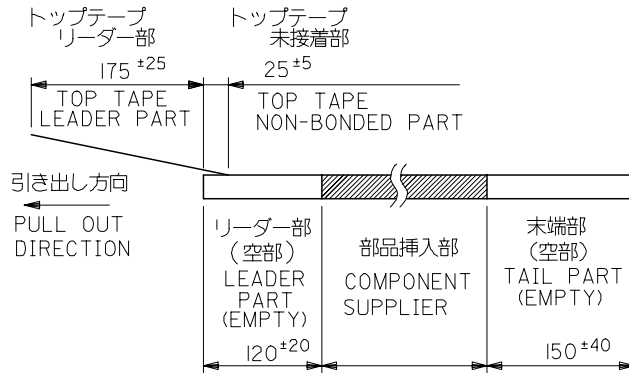
7. MATERIAL NO.

52435-***7*

2	NATURAL
3	BLACK

注記 NOTES

- 製品番号 52435-***26 の梱包状態はアクチュエータがロックした状態とする。
 詳細寸法については図面 SD-52435-019 を参照下さい。
 IN THE PACKAGE, ACTUATOR OF PART NO. 52435-***26 SHOULD BE LOCKED RE DETAILED DIMENSIONS, SEE SD-52435-019
- 梱包数量: 1000個/リール
 NUMBER OF CONNECTORS: 1000PCS/REEL
- リードテープ長さ LEAD TAPE LENGTH



4. トップテープの剥離強度: (剥離方向は下図参照)

0. 1N ~ 1.3N (10gf ~ 130gf) 尚、本規格値は、出荷時に適用。

(但し、輸送時に剥離が発生しない事。)

PEELING OFF FORCE OF TOP TAPE

0. 1N ~ 1.3N (10gf ~ 130gf) (PEELING DIRECTION AS SHOWN IN FOLLOWING FIG.)

THIS REQUIREMENT SHOULD BE APPLIED AT SHIPMENT

PEEL OFF SHOULD NOT BE ALLOWED,

DURING TRANSPORTATION



REVISED EC NO: J2006-1608 DRWN: MAEDA CHKD: NUKITA APPR: NUKITA	DESCRIPTION 2005/11/15 2005/11/16 2005/11/21	GENERAL TOLERANCES (UNLESS SPECIFIED)		DIMENSION STYLE MM ONLY		SCALE ---	DESIGN UNITS METRIC	THIRD ANGLE PROJECTION		
		10 UNDER	± 0.2	DRAWN BY YMAEDA	DATE 2005/11/11	TITLE 0.5 FPC CONN ZIF SMT R/A WITH TAPE EMBSTP PKG -LEAD FREE-				
		10 OVER 30 UNDER	± 0.25	CHECKED BY MTANAKA	DATE 2005/11/11	MOLEX INCORPORATED				
		30 OVER	± 0.3	APPROVED BY NUKITA	DATE 2005/11/11	MATERIAL NO. SEE CHART				
A	REV	ANGULAR ±3 °		DOCUMENT NO. SD-52435-020		SHEET NO. 1 OF 3				
		DRAFT WHERE APPLICABLE MUST REMAIN WITHIN DIMENSIONS		THIS DRAWING CONTAINS INFORMATION THAT IS PROPRIETARY TO MOLEX INCORPORATED AND SHOULD NOT BE USED WITHOUT WRITTEN PERMISSION						

10 9 8 7 6 5 4 3 2 1

F

E

D

C

B

A

F

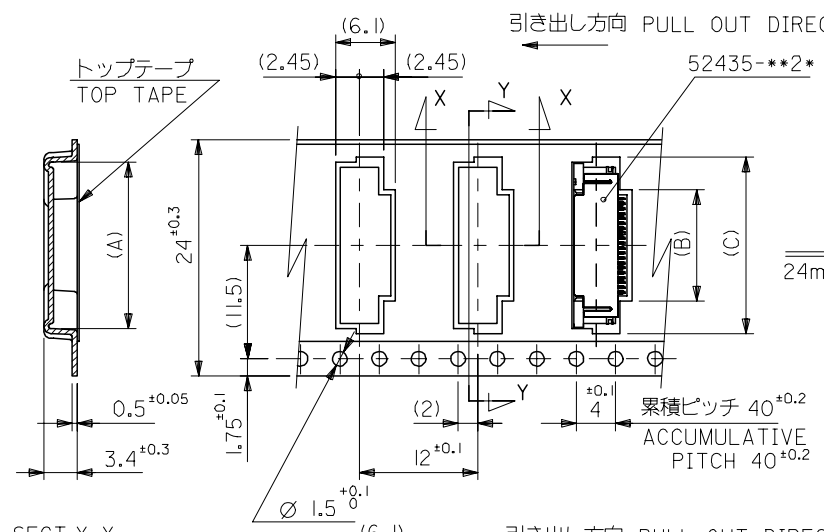
E

D

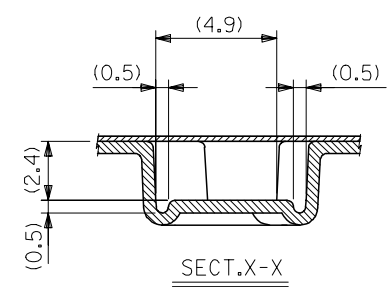
C

B

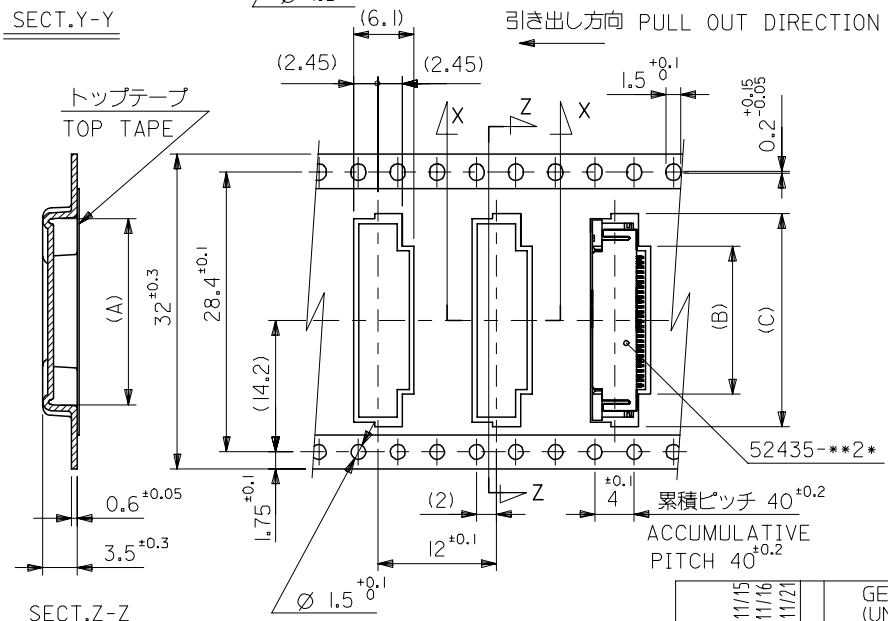
A



24mm幅キャリアテープ
24mm WIDTH CARRIER TAPE



SECT.X-X



32mm幅キャリアテープ
32mm WIDTH CARRIER TAPE

32	33.5	22.4	15.8	21.4	52435-297 *	29
		21.9	15.3	20.9	-287 *	28
		21.4	14.8	20.4	-277 *	27
		20.9	14.3	19.9	-267 *	26
		20.4	13.8	19.4	-257 *	25
		19.9	13.3	18.9	-247 *	24
		19.4	12.8	18.4	-237 *	23
		18.9	12.3	17.9	-227 *	22
		17.9	11.3	16.9	-207 *	20
		17.4	10.8	16.4	-197 *	19
24	25.5	16.9	10.3	15.9	-187 *	18
		16.4	9.8	15.4	-177 *	17
		15.9	9.3	14.9	-167 *	16
		15.4	8.8	14.4	-157 *	15
		14.9	8.3	13.9	-147 *	14
		14.4	7.8	13.4	-137 *	13
		13.9	7.3	12.9	-127 *	12
		13.4	6.8	12.4	-117 *	11
		12.9	6.3	11.9	-107 *	10
		12.4	5.8	11.4	-097 *	9
11.9	5.3	10.9	-087 *	8		
11.4	4.8	10.4	-077 *	7		
10.9	4.3	9.9	52435-067 *	6		
キャリアテープ幅 CARRIER TAPE WIDTH		D	(C)	(B)	(A)	52435-067 *
			ENG. NO.			極数 CIRCUIT

REVISED EC NO: J2006-1608 DRWN: MAEDA CHKD: NUKITA APPR: NUKITA	2005/11/15 2005/11/16 2005/11/21	GENERAL TOLERANCES (UNLESS SPECIFIED)		DIMENSION STYLE	SCALE	DESIGN UNITS	THIRD ANGLE PROJECTION	
				MM ONLY	---	METRIC		
		10 UNDER	±0.2	DRAWN BY	DATE	TITLE	0.5 FPC CONN ZIF SMT R/A WITH TAPE EMBSTP PKG -LEAD FREE-	
		10 OVER 30 UNDER	±0.25	YMAEDA	2005/11/11	MOLEX INCORPORATED		
		30 OVER	±0.3	CHECKED BY	DATE			
		MTANAKA	2005/11/11	MATERIAL NO.	DOCUMENT NO.	SHEET NO.		
		APPROVED BY	DATE	SEE CHART	SD-52435-020	2 OF 3		
		NUKITA	2005/11/11	THIS DRAWING CONTAINS INFORMATION THAT IS PROPRIETARY TO MOLEX INCORPORATED AND SHOULD NOT BE USED WITHOUT WRITTEN PERMISSION				

10 9 8 7 6 5 4 3 2 1

F

E

D

C

B

A

F

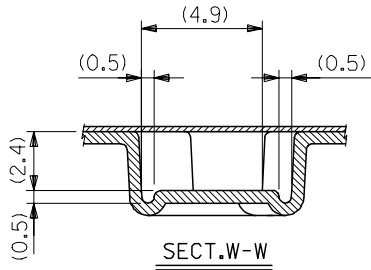
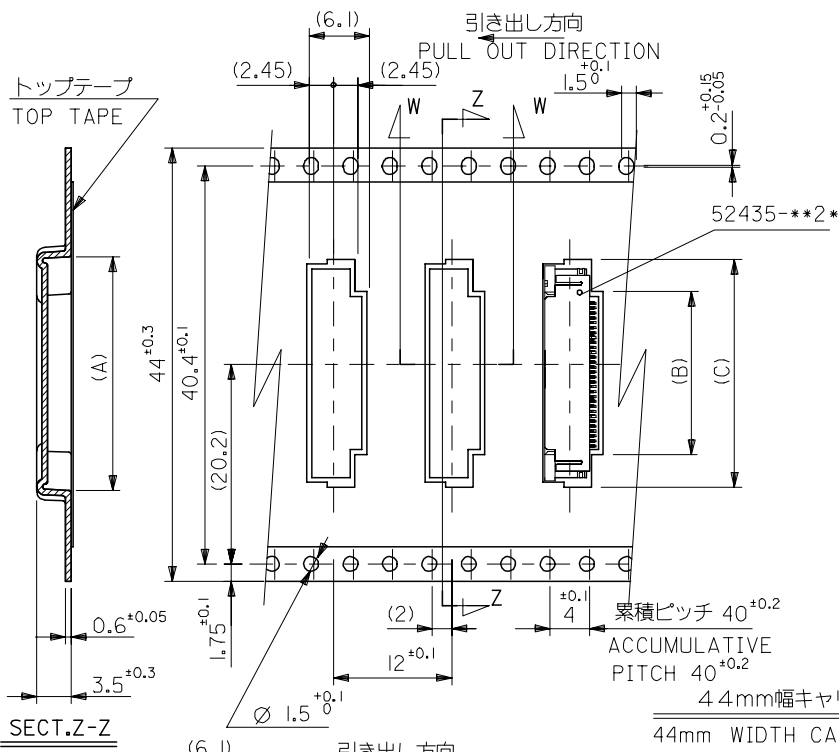
E

D

C

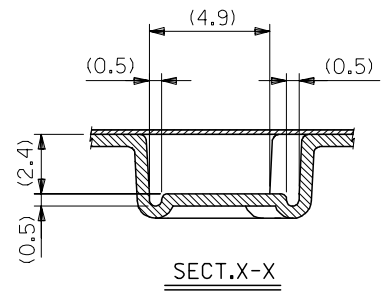
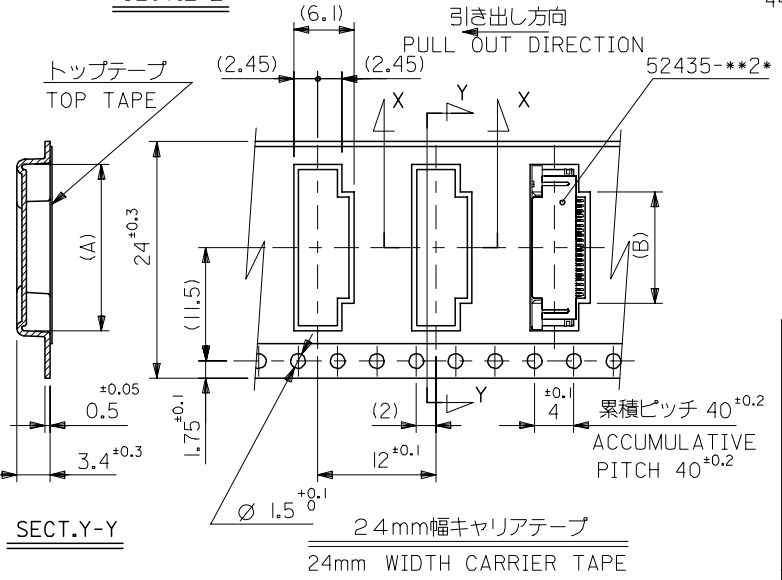
B

A



44	45.5	22.9	16.3	21.9	52435-307*	30
キャリアテープ幅 CARRIER TAPE WIDTH	D	(C)	(B)	(A)	ENG. NO.	極数 CIRCUIT

44mm幅キャリアテープ
44mm WIDTH CARRIER TAPE



24	25.5	11.8	17.4	52435-217*	21
キャリアテープ幅 CARRIER TAPE WIDTH	D	(B)	(A)	ENG. NO.	極数 CIRCUIT

24mm幅キャリアテープ
24mm WIDTH CARRIER TAPE

REVISED EC NO: J2006-1608 DRWN: MAEDA CHKD: NUKITA APPR: NUKITA 2005/11/15 2005/11/16 2005/11/21	GENERAL TOLERANCES (UNLESS SPECIFIED)		DIMENSION STYLE MM ONLY		SCALE ---	DESIGN UNITS METRIC	THIRD ANGLE PROJECTION
	10 UNDER	±0.2	DRAWN BY YMAEDA	DATE 2005/11/11	TITLE 0.5 FPC CONN ZIF SMT R/A WITH TAPE EMBSTP PKG -LEAD FREE-		
	10 OVER 30 UNDER	±0.25	CHECKED BY MTANAKA	DATE 2005/11/11	APPROVED BY NUKITA		
	30 OVER	±0.3	APPROVED BY DATE 2005/11/11		MOLEX INCORPORATED		
	ANGULAR	±3 °	MATERIAL NO. SEE CHART		DOCUMENT NO. SD-52435-020	SHEET NO. 3 OF 3	
DRAFT WHERE APPLICABLE MUST REMAIN WITHIN DIMENSIONS		THIS DRAWING CONTAINS INFORMATION THAT IS PROPRIETARY TO MOLEX INCORPORATED AND SHOULD NOT BE USED WITHOUT WRITTEN PERMISSION					